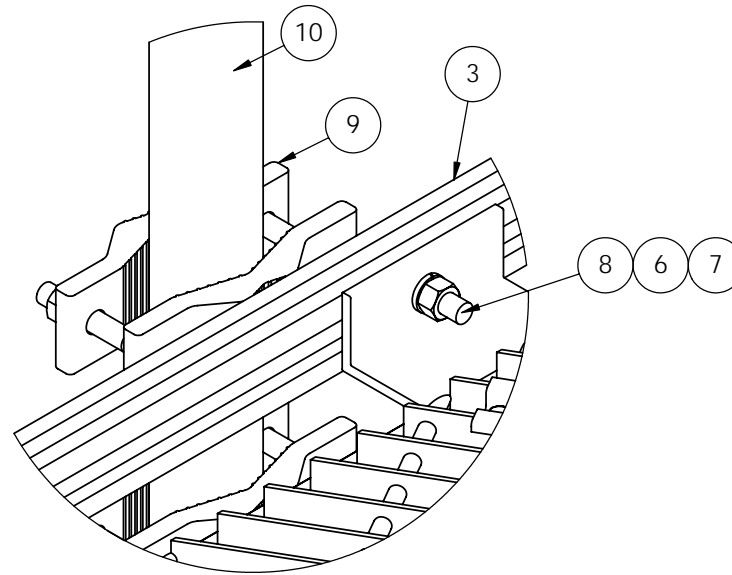
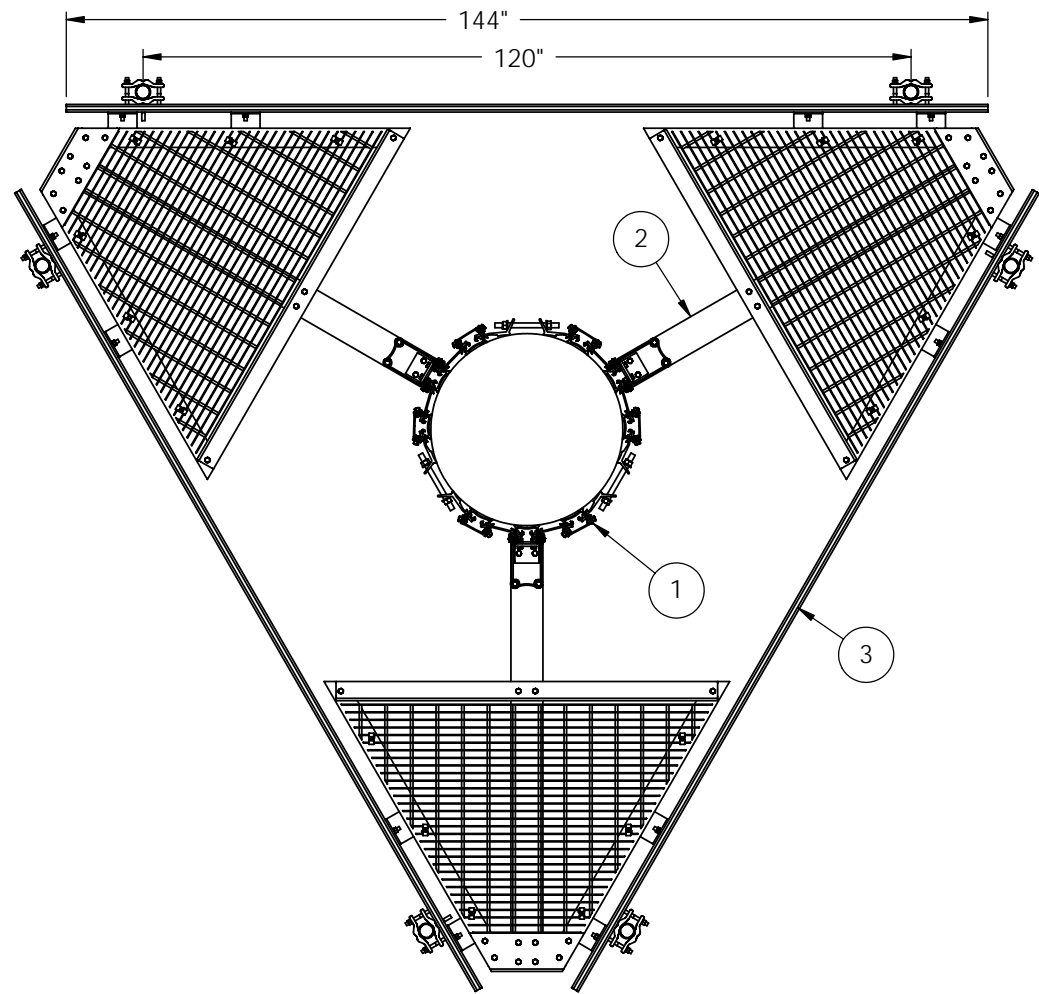
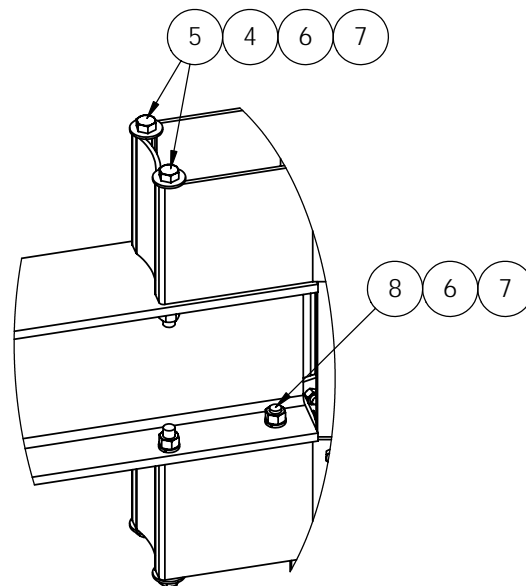
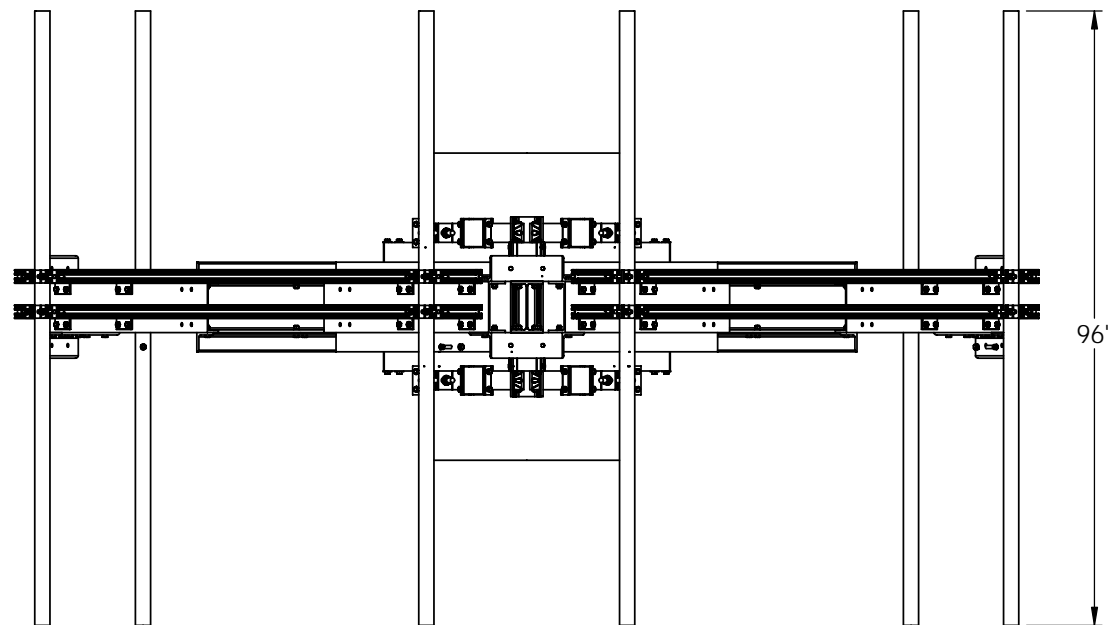


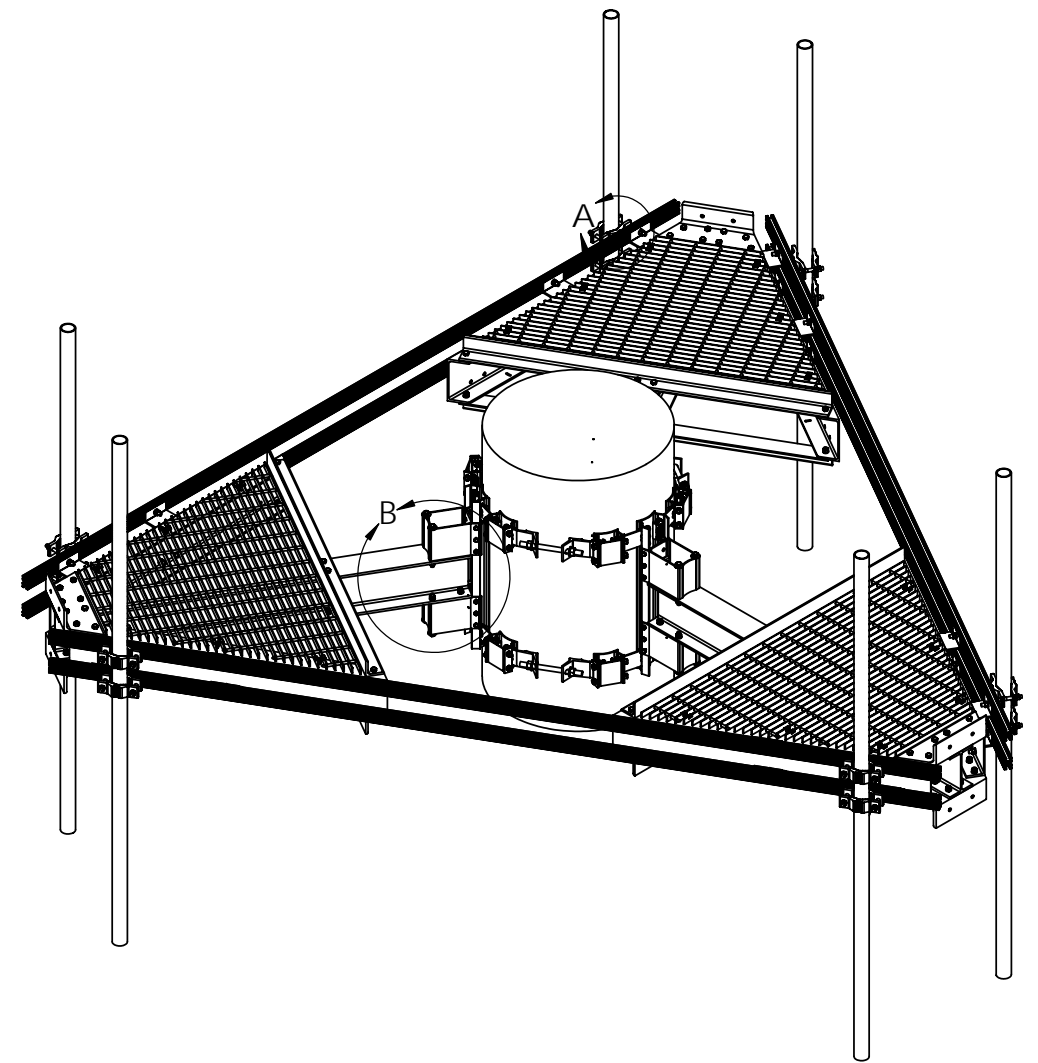
DUPLICATION, DISTRIBUTION OR ALTERATION OF THIS DOCUMENT BY ANY MEANS, IN WHOLE OR IN PART, IS STRICTLY FORBIDDEN. ALL INFORMATION HEREIN DISCLOSED, WHETHER PATENTABLE OR OTHERWISE, IS THE CONFIDENTIAL, PROPRIETARY AND INTELLECTUAL PROPERTY OF ALUMA-FORM, INC. ANY USE OR PUBLICATION OF THIS DOCUMENT OR CONTAINED INFORMATION, WITHOUT FIRST OBTAINING EXPLICIT WRITTEN AUTHORIZATION FROM ALUMA-FORM, INC., IS ABSOLUTELY FORBIDDEN.



DETAIL A
SCALE 1 : 4



DETAIL B
SCALE 1 : 8



ITEM	PART No.	QTY	DESCRIPTION	LENGTH
1	43536	1	COLLAR ASSEMBLY (CAM-MCM-12-2-96)	
2	43537	3	PANEL (CAM-MCM-12-2-96)	
3	04131	6	4WT-144 (OB9 HAND RAIL)	144"
4	30051	12	1/2" FLATWASHER	
5	30221	12	BOLT, HEX, 1/2" X 7-1/2"	7 1/2"
6	30039	48	1/2" MEDIUM HELICAL LOCKWASHER	
7	30009	48	NUT, HEX, 1/2"	
8	30052	36	BOLT, HEX, 1/2" X 1-1/2"	1 1/2"
9	53567	12	CAM-P/S-1-2	
10	06039	6	PIPE, 2" SCHEDULE 40 - 96" LONG	96"

CHANGE / REVISION DESCRIPTION

E. A. NO.

CHANGE DATE

REVISION LEVEL
A

PART NUMBER
69018

ALUMA-FORM, Inc.

3625 OLD GETWELL ROAD,
MEMPHIS, TN 38118-6072 U.S.A.
TEL (901) 362-0100

SCALE 1:30
PROJECT CODE EER
WEIGHT -
REVIEWED APPROVED

DESCRIPTION
MATERIAL
SECTION #
DRAWN BY DRH

DIAGRAM (CAM-MCM-12-2-96)

20-MAY-03 3255
RELEASE DATE RELEASE E. A.

69018

PART NUMBER

A

REVISION

UPDATED VIEWS

3284

14-AUG-03