

Main catalogue  
Data sheets

2009 / 2010  
Updated Edition - February 2010



# CCTV/IP

Products for Solutions

See more than others.

 **Dallmeier**



Trademarks which are designated by ® are registered trademarks of Dallmeier electronic.

Trademarks designated by \* are trademarks or registered trademarks of other trademark owners. Trademarks are mentioned for information purposes only. Dallmeier electronic respects the intellectual property of others and always strives to fully designate third-party trademarks and to indicate the respective trademark owner. Wherever there is no separate notification of protected rights, the absence of such a notification does not justify the assumption that the respective trademark is not protected. A complete overview of third-party trademarks and the respective trademark owners can be found at <http://www.dallmeier-electronic.com/en/legal-notices/trademarks.html>.



Environmental protection is a major concern for Dallmeier and in this regard the company's efforts far exceed the legal regulations. Waste avoidance and low energy consumption during the manufacturing process as well as the use of recyclable materials are equally part of the corporate philosophy, as is the orientation of the product development towards environmentally friendly and ecologically efficient devices. Sustainability and compatibility are key concepts in this context. Therefore, we always aim, for instance, to keep the energy consumption of our devices as low as possible. This effort not only shows in falling energy costs but also saves the environment. Furthermore, the products are characterised by their longevity which is another aspect of ecological thinking. For what can be used for a long time and does not need to be replaced avoids environmental stress. Dallmeier regards it as part of its corporate responsibility to holistically integrate the protection of the environment into its thinking and acting and to continuously work on further improvements.



The data in this catalogue reflect the status quo at the time of publication (04/02/2010). However, due to the rapid technological advance and the constant further development of our products, specifications can change. In order to ensure that you are provided with up-to-the-minute technical data, we offer you separate data sheets for every single product for download on our website [www.dallmeier.com](http://www.dallmeier.com). Therefore, we would like to advise you to observe the latest data sheets when placing an order.

# Content

<b>■ VideoIP network systems</b>			
VNS 1	4		
VNS 16	5		
DMS 240 IPS	6		
<b>■ HD cameras</b>			
DDF4010HDV	7		
DDF4110HDV	8		
<b>DOMERA® HD</b>			
DDZ4010-YY/HS/HD DOMERA®	9		
DDZ4110-YY/HS/HD DOMERA®	10		
<b>IP cameras</b>			
DF3 000IP-PoE-DN	11		
DDF3 000IPV-DN	12		
<b>DOMERA® &amp; PTZ domes</b>			
DDZ3 0XX-YY/HS/A DOMERA®	13		
DDZ3 0XX-YY/HS/IP DOMERA®	14		
DDZ3 018-YY/RP/A DOMERA®	15		
DDZ3 018-YY/RP/IP DOMERA®	16		
DDZ3 018A-DN	17		
DDZ3 026A-DN	18		
<b>Dome cameras</b>			
DDF3 000APV Picodome®	19		
DDF3 000A4-DN	20		
DDF3 000AV4-DN	21		
DDF3 000A3 (-DN)	22		
<b>Box cameras</b>			
DF3 000A-DN	23		
DF3 000AS-DN	24		
DF3 000AXS	25		
<b>Module cameras</b>			
MDF3 000A-CS-DN	26		
MDF3 000A-M	27		
<b>Accessories</b>			
Camera accessories	28		
Lenses	30		
PTZ and Domera® accessories	31		
Design demo case	41		
<b>■ Encoders/decoders/streamers</b>			
MicroStreamer-PoE	42		
DIS-2/M UTP	43		
DIS-2/M StreamerPro UTP	44		
DIS-2/M StreamerPro HDD Large UTP	45		
DIS-2 Multi-D HD	46		
DIS-2/M DecoderPro HD	47		
DIS-2/M NSU	48		
EDS-1 HD	49		
WSD-2 HD	50		
DIS-2/M Module Rack	51		
DIS-2/M StreamerPro Module Rack	52		
<b>■ Hybrid recorders</b>			
DMS 80	53		
DMS 160	54		
DMS 240	55		
DMS 240 HSR	56		
<b>H.264 recorders</b>			
DLS 4	57		
DLS 8	58		
DLS 8 Plus	59		
DLS 16	60		
DLS 16 Plus	61		
<b>Bank recorders</b>			
DLS 4 Bank	62		
DMS 80 Bank	63		
DMS 160 Bank	64		
DMS 240 Bank	65		
DMS 240 HSR Bank	66		
<b>■ Hard disks</b>			67
Hard disks			
<b>■ Storage systems</b>			68
DAS-3 03			69
DAS-3 00 E			70
DAS-4 Eco			
<b>■ Workstations</b>			71
PView Station PVS IV Plus			71
DIS-16 VarioDecoder			
<b>■ Software</b>			72
PView 7			72
PViewMobile			73
PGuard advance			74
AutoBackup			75
Dallmeier Dongle Server			
<b>■ SeMSy® system components</b>			76
SeMSy® Open Interface Connection			77
SeMSy® Pro II Extension Maps			78
SeMSy® S-PC Plus			79
SeMSy® Pro II Workstation Plus			80
SeMSy® Pro II Server Plus			81
SeMSy® Pro II Backup Server Plus			82
SeMSy® Pro II Setup-Server Plus			
<b>■ Network components</b>			83
LAN switch			84
Backbone LAN switch			

## VNS 1



Available shortly!

The VNS 1 is a 1 channel audio and video streamer with recording capability. It is able to receive, via an Ethernet network, audio and video streams in different encodings, record and playback them and output them in real time as a stream. The VNS 1 is a stand-alone streamer. The compact and robust design of the streamer allows for a flexible use of the device, regardless of the location. The VNS 1 is furthermore designed for the installation and operation in a 19" module rack.

- 1x IP based video channel
- Simultaneous real-time recording, streaming and playback
- Supported video formats: MPEG-2/-4 H.264 <sup>1)</sup>
- Supported audio formats: MPEG-1 Layer 2, G.722 <sup>1)</sup>
- Bit rate up to 16 Mbps and frame rate up to 25 fps
- Resolutions: SD, HD, (720p, 1087oi, 1080p)
- Evaluation with SeMSy® or PView via Ethernet
- Integrated management software PView Light
- Integrated motion detection
- Changeable hard disk: up to 2x 3,5" HDDs (optional)
- Configuration and firmware update through web browser via Ethernet
- Linux operating system on Flash memory
- Integrated hard disk
- DIN EN 50130-4 compliant

<sup>1)</sup> In development

Variants		Options	
008.007.012.101	VNS 1 with 1x 120 GB HDD 1x IP based video channel Please note: this product is only available on request!	002.001.390	19" module rack, (L390 mm x 3HU) for the installation of up to 10 single devices, incl. power supply unit and its depositing rack
		000.214	19" bracket, for up to 4 units (1HU)

## VNS 16



The VNS 16 is an audio and video network system with 16 IP based channels for streaming, recording and playback of various video channels. The VNS series is designed for both stand-alone or client/server applications. Using a release code the basic version with 2 IP based channels can be activated by blocks of another 14 IP based channels at a time (up to a total maximum of 16 IP based channels).

- Up to 16 IP based video channels (SD/HD)
- PentaplexPlus functionality: Simultaneous real-time recording, streaming, remote access, live display, playback <sup>1)</sup>
- Supports cameras by third-party manufacturers, including megapixel and high-definition cameras
- Supported video formats: MPEG-4, MJPEG, H.264 <sup>2)</sup>
- Supported audio formats: MPEG-1 Layer 2, G.722 <sup>2)</sup>
- Resolution: SD, HD (720p, 1080i, 1080p), up to 8MP
- Bit rate up to 3Mbps
- Frame rate per channel up to 12.5 fps at all resolutions
- Evaluation with SeMSy® or PView 7 via Ethernet
- Integrated management software PView 7 Light
- Integrated software for administration and configuration
- Live access via web browser
- Exchangeable hard disks: up to 2x 3,5" HDDs (optional)
- Motion detection and IP Finder for Dallmeier IP cameras integrated
- EasyChange functionality in case of hard disk failure
- Linux operating system on Flash memory
- DIN EN 50130-4 compliant

1) Only video recording, live display and playback only via PView Light or PView

2) In development

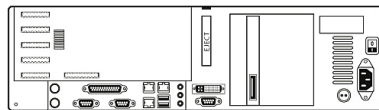
Variants	
008.006.000.002	VNS 16 without HDDs 2x IP based video channels
	Please note that HDDs must be ordered separately!

Options	
000.120	19" bracket, for a 2HU single device
200.128F5	Internal RAID 1, 2x HDDs with the same capacity required (only ex factory)
200.338	Filter pad, 2HU (5 pieces)
129.305.3	Joystick, Tri-axial joystick, only in combination with PView 7 Light or PView 7
200.325	DFM-1-USB radio clock unit, Radio clock unit on USB (up software version: V5.1.X)
100.100.050.12	500 GB hard disk
100.100.075.12	750 GB hard disk
100.100.100.12	1000 GB hard disk
100.100.200.12	2000 GB hard disk
100.900.01	Installation of a HDD, incl. function, long-term-, and final test; acceptance and approval

Activations	
240.000IP02	Activation of additional 2 IP based channels (SD/HD)
240.000IP04	Activation of additional 4 IP based channels (SD/HD)
240.000IP08	Activation of additional 8 IP based channels (SD/HD)



## DMS 240 IPS



The DMS 240 IP is an audio and video network system with up to 24 IP based channels (thereof 16 HD channels) for streaming, recording and playback of several video channels. The basic version with 8 IP based channels can be expanded by 8/16 IP based channels with an activation code.

- Up to 24 IP based video channels (max. 16 HD video channels)
- PentaplexPlus functionality: Simultaneous real-time recording, streaming, remote access, live display and playback <sup>1)</sup>
- Supported video formats: MPEG-4, MJPEG, H.264 <sup>2)</sup>
- Supported audio formats: MPEG-1 Layer 2, G.722 <sup>2)</sup>
- Bit rate up to 4 Mbps
- Resolutions: SD, HD (720p, 1080i, 1080p) up to 8 MB
- Frame rate per channel up to 25 fps
- Evaluation with SeMSy® or PView 7 via Ethernet
- Integrated management software PView 7 Light
- Integrated motion detection for Dallmeier IP cameras
- Live browser access
- Exchangeable hard disks: up to 2x 3,5" HDDs (optional)
- Easy-Change functionality in case of HDD failure
- 12V output for the external storage expansion DAS-4 Eco
- Linux operating system on Flash memory
- DIN EN 50130-4 compliant

1) Live display and playback only via PView Light or PView

2) In development

Variants	
240.004.000.008	DMS 240 IPS without HDDs 8x IP based video channels  Please note that HDDs must be ordered separately!
240.004.000.016	DMS 240 IPS without HDDs 16x IP based video channels  Please note that HDDs must be ordered separately!
240.004.000.024	DMS 240 IPS without HDDs 24x IP based video channels  Please note that HDDs must be ordered separately!
240.004.100.308	DMS 240 IPS, ready for storage with 2x 500 GB HDDs 8x IP based video channels
240.004.100.316	DMS 240 IPS, ready for storage with 2x 500 GB HDDs 16x IP based video channels
240.004.100.324	DMS 240 IPS, ready for storage with 2x 500 GB HDDs 24x IP based video channels

Options	
000.194	19" bracket, for a 3HU single device
200.128F5	Internal RAID 1, 2x HDDs with the same capacity required (only ex factory)
200.337	Filter pad, 3HU (5 pieces)
010.240	DVI digital output
100.030	FC interface (fiber optic), for connecting DAS-303 (see storage systems), only ex factory
100.090	SATA interface, for connecting DAS-4 Eco (see storage systems), only ex factory
100.092	Multi Display Board, for the use of PRemote advance, incl. PRemote advance activation
129.305.3	Joystick, Tri-axial joystick, only in combination with PView 7 Light or PView 7
200.325	DFM-1-USB radio clock unit, Radio clock unit on USB (up software version: V5.1.X)
100.100.05.12	500 GB hard disk
100.100.075.12	750 GB hard disk
100.100.100.12	1000 GB hard disk
100.100.200.12	2000 GB hard disk
100.900.01	Installation of a HDD, incl. function, long-term-, and final test; acceptance and approval
100.900.02	Preparation for connection of external storage systems (e.g. DAS-303), incl. storage function, hardware interface, interface function test. Please note: Hard disks and installation of HDDs respectively must be ordered separately.

Activations	
100.101.F5	ATM activity survey
240.000.P02	Activation of additional 2 IP based channels (SD/HD)
240.000.P04	Activation of additional 4 IP based channels (SD/HD)
240.000.P08	Activation of additional 8 IP based channels (SD/HD)
240.000.P16	Activation of additional 16 IP based video channels (SD/HD)



## DDF4010HDV



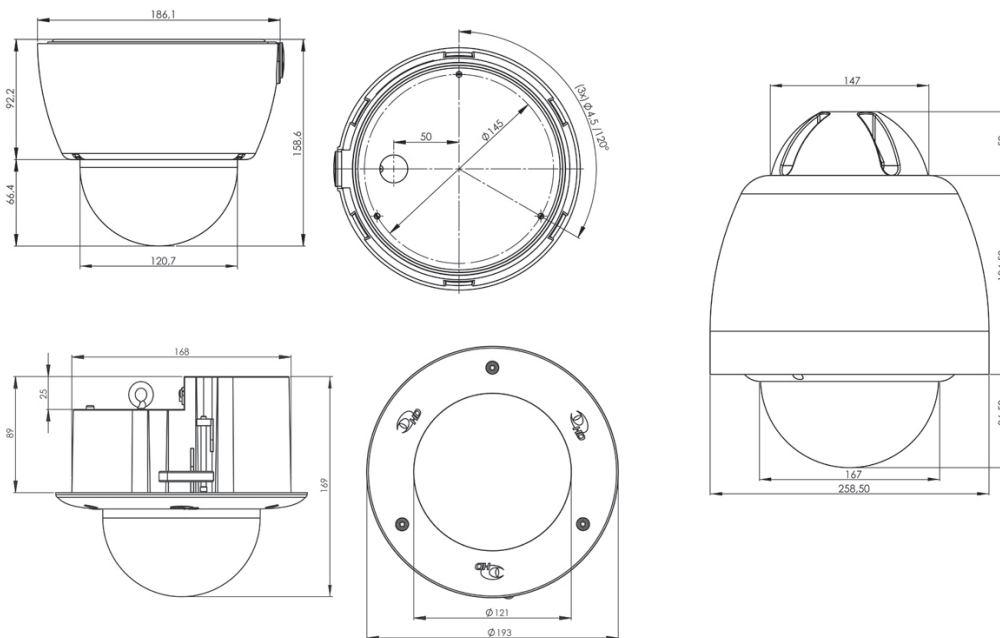
The DDF4010HDV is a vandal-resistant high-definition high-end Cam\_inPIX® colour IP network dome.

- 1/3" Full high-definition CMOS image sensor with Cam\_inPIX® technology
- Pure Digital Signal Processing
- 10x optical zoom
- Additional 12x digital zoom
- ICR function for Day/Night switching
- Integrated Dallmeier Image Optimiser for perfect image quality even under difficult lighting conditions
- Enhanced image quality by means of numerous control functions such as AWB, AGC, BLC and slow shutter
- Zoom lens: F1.8-F2.1/ f=5.1-51 mm
- Auto-focus with manual override
- Resolution: SD, HD (720p, 1080i, 1080p), frame rate up to 50 fps <sup>1)</sup>
- Video compression: MJPEG, H.264
- Simultaneous multi-streaming with freely selectable resolutions, frame and bit rates of each stream
- Integrated SmartZoom functionality
- Integrated motion detection with selectable sensitivity
- Alarm notification via email and FTP image upload
- Local video memory (USB/SD port)
- Integrated 64 MB RAM video buffer
- PoE ready
- Power supply: PoE or 24V AC
- Tri-axial adjustment
- Three available camera variants: in-ceiling mount, surface mount and weather-proof housing
- Compact, vandal-resistant housing with IP67 (surface mount variant)
- DIN EN 50130-4 compliant

1) Depending on the resolution

Variants	
200.407.01.100	DDF4010HDV-IM 1080p / Day-Night / white / clear bubble / in-ceiling mount variant Zoom lens F1.8-F2.1/ 5.1-51mm
200.407.02.100	DDF4010HDV-SM 1080p / Day-Night / white / clear bubble / surface mount variant Zoom lens F1.8-F2.1/ 5.1-51mm
200.407.03.100	DDF4010HDV-WM 1080p / Day-Night / white / clear bubble / weather-proof variant Zoom lens F1.8-F2.1/ 5.1-51mm

Options	
200.407.01.01	Clear bubble, for dome cameras
200.407.01.02	Tinted bubble, for dome cameras
200.407.02.999	Design colours: Depending on customer demand, housing colour available according to PAL or Pantone colour scale / for in-ceiling mount variants. For enquires please contact <a href="mailto:design@dallmeier.com">design@dallmeier.com</a>
100.041	Universal power pack 240V AC / 24V AC, removable adapter EU/UK/US/AUS
200.511	DPU-240W Dallmeier Power Supply Unit, 24/28V AC for the supply of up to 20x cameras, More information can be found in our Partner Forum under "Documentations".



[mm]

# DDF4110HDV

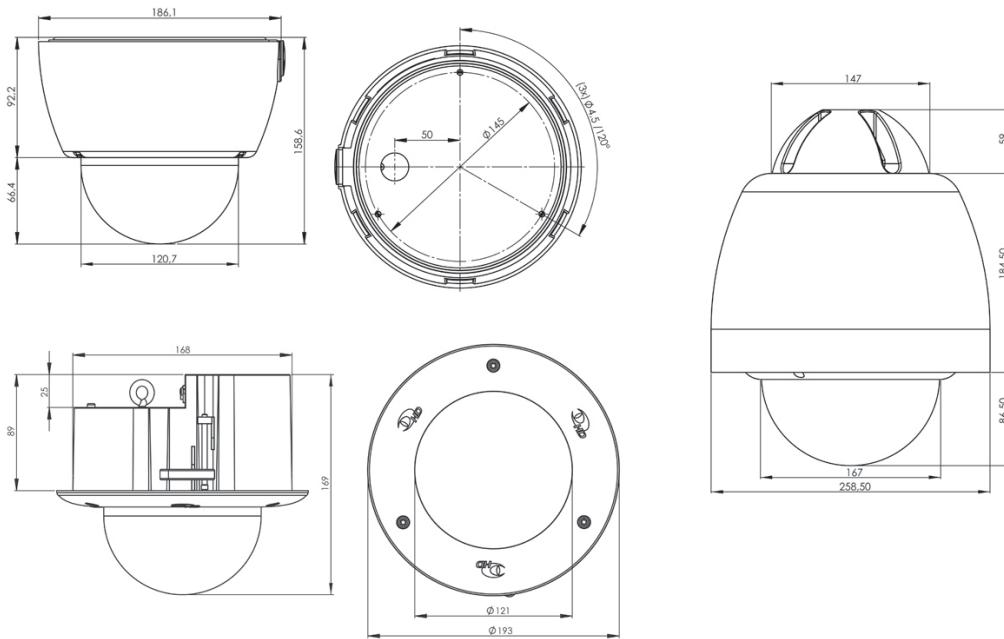


The DDF4110HDV is a vandal-resistant high-definition high-end Cam\_inPIX® colour IP network dome.

- 1/3" Full high-definition CMOS image sensor with Cam\_inPIX® technology
- Pure Digital Signal Processing
- 10x optical zoom
- Additional 12x digital zoom
- ICR function for Day/Night switching
- Integrated Dallmeier Image Optimiser for perfect image quality even under difficult lighting conditions
- Enhanced image quality by means of numerous control functions such as AWB, AGC, BLC and slow shutter
- Zoom lens: F1.8-F2.1/ f=5.1-51mm
- Auto-focus with manual override
- Resolution: SD, HD (720p), frame rate up to 30 fps
- Video compression: MJPEG, H.264
- Simultaneous multi-streaming with freely selectable resolutions, frame and bit rates of each stream
- Integrated SmartZoom functionality
- Integrated motion detection with selectable sensitivity
- Alarm notification via email and FTP image upload
- Local video memory (USB/SD port)
- Integrated 64 MB RAM video buffer
- PoE ready
- Power supply: PoE or 24V AC
- Tri-axial adjustment
- Three available camera variants: in-ceiling mount, surface mount and weather-proof housing
- Compact, vandal-resistant housing with IP67 (surface mount variant)
- DIN EN 50130-4 compliant

Variants	
200.408.01.100	DDF4110HDV-IM 720p / Day-Night / white / clear bubble / in-ceiling mount variant Zoom lens F1.8-F2.1/ 5.1-51mm
200.408.02.100	DDF4110HDV-SM 720p / Day-Night / white / clear bubble / surface mount variant Zoom lens F1.8-F2.1/ 5.1-51mm
200.408.03.100	DDF4110HDV-WM 720p / Day-Night / white / clear bubble / weather-proof variant Zoom lens F1.8-F2.1/ 5.1-51mm

Options	
200.407.01.01	Clear bubble, for dome cameras
200.407.01.02	Tinted bubble, for dome cameras
200.407.02.999	Design colours: Depending on customer demand, housing colour available according to PAL or Pantone colour scale / for in-ceiling mount variants, For enquires please contact <a href="mailto:design@dallmeier.com">design@dallmeier.com</a>
100.041	Universal power pack 240V AC / 24V AC, removable adapter EU/UK/US/AUS
200.511	DPU-240W Dallmeier Power Supply Unit, 24/28V AC for the supply of up to 20x cameras, More information can be found in our Partner Forum under "Documentations".



[mm]



## DDZ4010-YY/HS/HD DOMERA®



**DOMERA®**  
High-Definition



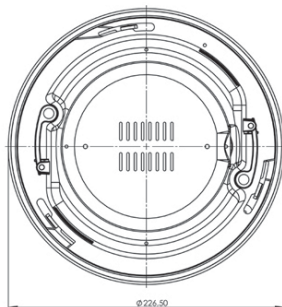
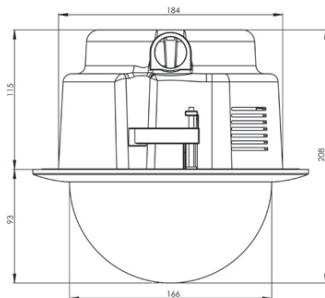
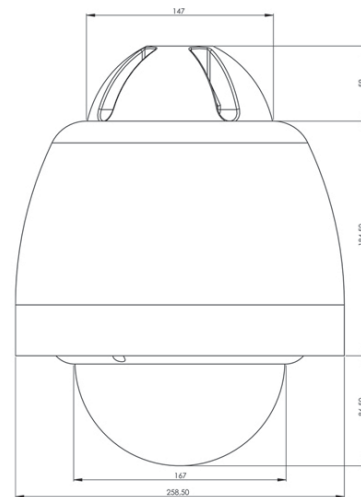
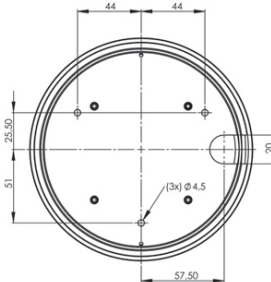
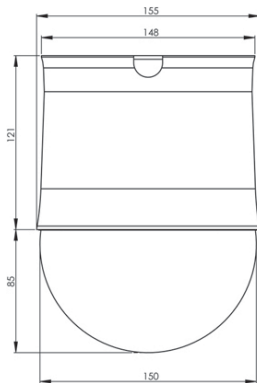
DOMERA® is a modular high-speed PTZ dome system. The high-resolution high-definition Cam\_inPIX® colour dome camera DDZ4010-YY/HS/HD with 10x optical zoom is available in different mounting variants (in-ceiling, surface, weather-proof).

- 1/3" full high-definition CMOS sensor with Cam\_inPIX® technology
- Pure Digital Signal Processing
- High definition high-speed PTZ dome with 10x optical zoom
- Additional 12x digital zoom
- ICR function for Day/Night switching
- Enhanced image quality by means of numerous control functions like AWB, AGC, BLC and extended slow shutter
- Auto-focus with manual override
- Resolution: SD, HD (720p, 1080i, 1080p) frame rate up to 50 fps <sup>1)</sup>
- Video compression: MJPEG, H.264
- Simultaneous multi-streaming with freely selectable resolutions, frame rate and bit rate of each stream
- Integrated SmartZoom functionality
- Motion detection with selectable sensitivity integrated
- High-performance Pan/Tilt/Zoom mechanism
- Local video memory (USB/SD port)
- Integrated 64MB RAM video buffer
- 248 programmable preset positions, 16 programmable tours
- Three mounting appliances with integrated IP I/O interface available: in-ceiling, surface and weather-proof variant
- Easy and quick installation
- DIN EN 50130-4 compliant

1) Depending on the resolution

Variants	
200.03.031	DDZ4010-IM/HS/HD DOMERA® 1080p / Day-Night / 10x optical zoom / high definition / high-speed / clear bubble / in-ceiling mount variant
200.03.032	DDZ4010-SM/HS/HD DOMERA® 1080p / Day-Night / 10x optical zoom / high definition / high-speed / clear bubble / surface mount variant
200.03.033	DDZ4010-WM/HS/HD DOMERA® 1080p / Day-Night / 10x optical zoom / high definition / high-speed / clear bubble / weather-proof variant
200.03.066	DDZ4010-SM/HS/HD DOMERA® 1080p / Day-Night / 10x optical zoom / high definition / high-speed / clear bubble / surface mount variant / white housing (minimum order quantity and delivery periods upon request)

Options	
200.401.4.51.02	Ceiling mount bracket, for weather-proof housing / white
200.401.4.52.02	Wall mount bracket, for weather-proof housing / white
200.401.4.53.02	Corner bracket, for wall mount bracket for weather-proof housing / white
200.401.4.54.02	Pole bracket, for wall mount bracket for weather-proof housing / white
200.441.999	Design colours: Depending on customer demand, housing colour available according to PAL or Pantone colour scale / for in-ceiling mount variants. For enquires please contact <a href="mailto:design@dallmeier.com">design@dallmeier.com</a>
200.622	Wall mount bracket, for PTZ domes surface mount variant / black
129.305.3	Joystick, Tri-axial joystick, only in combination with PView 7 Light or PView 7
200.510	DPU-480W Dallmeier Power Supply Unit, 24/28V AC for the supply of up to 20x cameras, More information can be found in our Partner Forum under "Documentations".



[mm]

## DDZ4110-YY/HS/HD DOMERA®



**DOMERA®**  
High-Definition

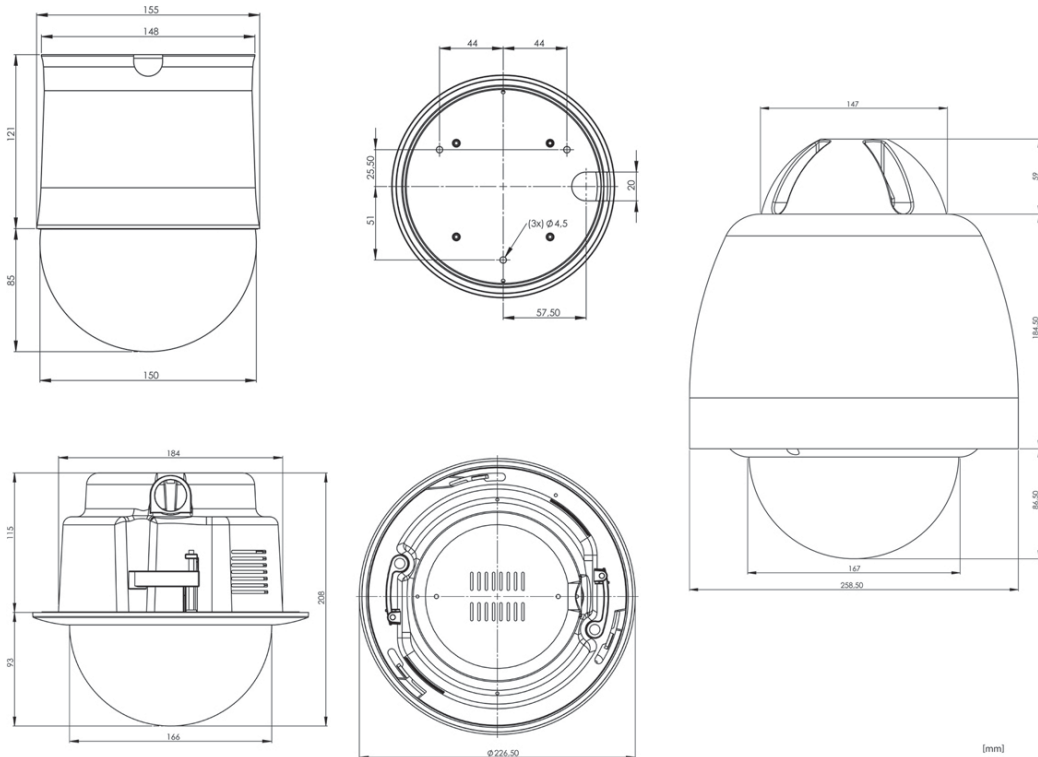


DOMERA® is a modular high-speed PTZ dome system. The high-resolution high-definition Cam\_inPIX® colour dome camera DDZ4110-YY/HS/HD with 10x optical zoom is available in different mounting variants (in-ceiling, surface, weather-proof).

- 1/3" full high-definition CMOS sensor with Cam\_inPIX® technology
- Pure Digital Signal Processing
- High definition high-speed PTZ dome with 10x optical zoom
- Additional 12x digital zoom
- ICR function for Day/Night switching
- Enhanced image quality by means of numerous control functions like AWB, AGC, BLC and extended slow shutter
- Auto-focus with manual override
- Resolution: SD, HD (720p) frame rate up to 30 fps
- Video compression: MJPEG, H.264
- Simultaneous multi-streaming with freely selectable resolutions, frame rate and bit rate of each stream
- Integrated SmartZoom functionality
- Motion detection with selectable sensitivity integrated
- High-performance Pan/Tilt/Zoom mechanism
- Local video memory (USB/SD port)
- Integrated 64MB RAM video buffer
- 248 programmable preset positions, 16 programmable tours
- Three mounting appliances with integrated IP I/O interface available: in-ceiling, surface and weather-proof variant
- Easy and quick installation
- DIN EN 50130-4 compliant

Variants	
200.03.028	DDZ4110-IM/HS/HD DOMERA® 720p / Day-Night / 10x optical zoom / high definition / high-speed / clear bubble / in-ceiling mount variant
200.03.029	DDZ4110-SM/HS/HD DOMERA® 720p / Day-Night / 10x optical zoom / high definition / high-speed / clear bubble / surface mount variant
200.03.030	DDZ4110-WM/HS/HD DOMERA® 720p / Day-Night / 10x optical zoom / high definition / high-speed / clear bubble / weather-proof variant
200.03.067	DDZ4110-SM/HS/HD DOMERA® 720p / Day-Night / 10x optical zoom / high definition / high-speed / clear bubble / surface mount variant / white housing (minimum order quantity and delivery periods upon request)

Options	
200.401.4.51.02	Ceiling mount bracket, for weather-proof housing / white
200.401.4.52.02	Wall mount bracket, for weather-proof housing / white
200.401.4.53.02	Corner bracket, for wall mount bracket for weather-proof housing / white
200.401.4.54.02	Pole bracket, for wall mount bracket for weather-proof housing / white
200.441.999	Design colours: Depending on customer demand, housing colour available according to PAL or Pantone colour scale / for in-ceiling mount variants. For enquires please contact <a href="mailto:design@dallmeier.com">design@dallmeier.com</a>
200.622	Wall mount bracket, for PTZ domes surface mount variant / black
129.305.3	Joystick, Tri-axial joystick, only in combination with PView 7 Light or PView 7
200.510	DPU-480W Dallmeier Power Supply Unit, 24/28V AC for the supply of up to 20x cameras, More information can be found in our Partner Forum under "Documentations".



## DF3 000IP-PoE-DN



The DF3 000IP-PoE-DN is a high-resolution UWDR Cam\_inPIX® colour IP box camera. It is ready for PoE and can also be operated with 24V AC power supply.

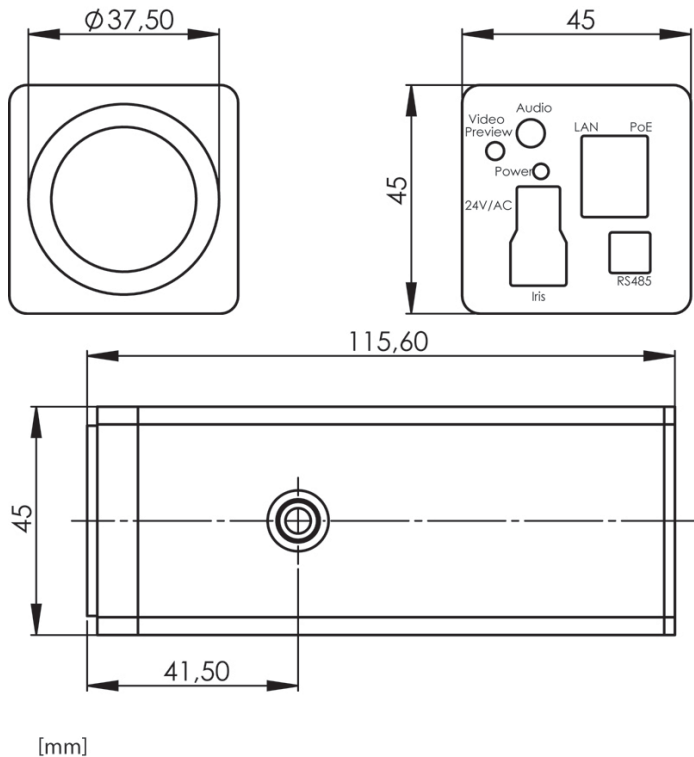
- Horizontal resolution: 540 TV lines
- 1/3" DPS\* image sensor with Cam\_inPIX® technology
- Digital Pixel System\* chipset
- 17-bit Digital Signal Processing
- High light sensitivity at F0.95, 50IRE: 0.5 lux and (-DN) 0.2 lux
- Progressive image capture and image transmission
- ICR function for Day/Night switching
- Integrated Dallmeier Image Optimiser for perfect image quality, even under adverse lighting conditions
- Enhanced image quality by means of numerous control functions like AWB, AGC, BLC and extended slow shutter
- Integrated motion detection with selectable sensitivity
- Hybrid IP camera with analogue preview output
- Video compression with either MPEG-2/-4, MJPEG or H.264 <sup>1)</sup>
- Resolution up to D1 and frame rate up to 25 fps at all resolutions
- Alarm message via email and FTP image upload
- Integrated 64MB RAM video memory
- PoE capable
- Power supply: PoE or 24V AC
- Standard version delivered without lens <sup>2)</sup>
- DIN EN 50130-4 compliant

1) In development

2) The use of IR corrected Day/Night lenses is recommended for IR lighting; Day lenses are only suitable for CasinoCam variants.

Variants	
200.403.01.100	DF3 000IP-PoE-DN PAL / Day-Night / grey without lens
200.403.01.200	DF3 000IP-PoE-D CasinoCam PAL / Day / grey HiRes vari-focal lens F0.95 / 2.8-8mm
200.403.01.201	DF3 000IP-PoE-D CasinoCam PAL / Day / grey HiRes vari-focal lens F1.5 / 15-50mm

Options	
200.400.999	Design colours: Depending on customer demand, housing colour available according to PAL or Pantone colour scale., For enquires please contact design@dallmeier.com
200.402.2.09.01	Preview adapter cable, 2.5mm phone jack on BNC
210.400.2	Fujinon F0.95 / 2.8-8mm D, HiRes vari-focal lens / Day / not IR corrected
210.400.3	Fujinon F1.5 / 15-50mm DN, HiRes vari-focal lens / Day-Night / IR corrected
210.400.4	Fujinon F0.95 / 2.9-8mm DN, HiRes vari-focal lens / Day-Night / IR corrected
100.041	Universal power pack 240V AC / 24V AC, removable adapter EU/UK/US/AUS
200.511	DPU-240W Dallmeier Power Supply Unit, 24/28V AC for the supply of up to 20x cameras, More information can be found in our Partner Forum under "Documentations".
200.301.1.001	Weather-proof housing Arctic with mounted box camera, Operational from very low temperatures of -55°C up to +45°C; with mounted camera including heater, sun shield, power supply unit and wall mount, Please note that camera must be ordered separately
200.301.2.001	Weather-proof housing Arctic for box camera, Operational from very low temperatures of -55°C up to +45°C; including heater, sun shield, power supply unit and wall mount



## DDF3 000IPV-DN



The DDF3 000IPV-DN is a vandal-resistant HiRes UWDR Cam\_inPIX® colour IP dome camera.

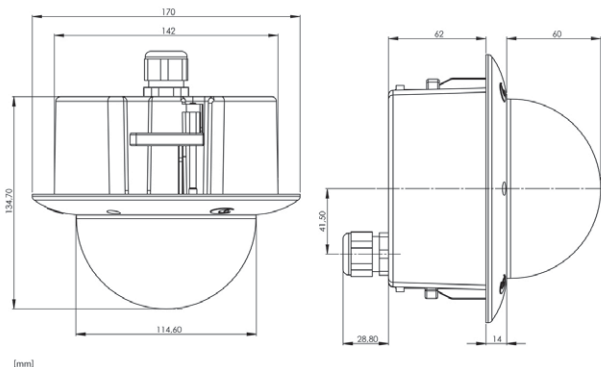
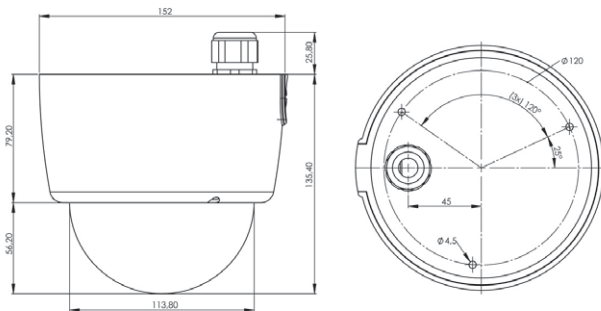
- Horizontal resolution: 540 TV lines
- 1/3" DPS\* image sensor with Cam\_inPIX® technology
- Digital Pixel System\* chipset
- 17-bit Digital Signal Processing
- High sensitivity for low-light images at F1.2, 50IRE: 0.8 lux and (-DN) 0.3 lux
- Progressive image capture and transmission
- ICR function for Day/Night switching
- Integrated Dallmeier Image Optimiser for perfect image quality, even under adverse lighting conditions
- Enhanced image quality by means of numerous control functions like AWB, AGC, BLC and extended slow shutter
- Integrated motion detection with selectable sensitivity
- HiRes vari-focal lens: F1.2/ f=2.9-10mm, Day/Night <sup>1)</sup>
- Hybrid IP camera with analogue preview output
- Video compression: MPEG-2/-4, MJPEG, H.264 <sup>2)</sup>
- Resolution up to D1 and frame rate up to 25 fps at all resolutions
- Alarm message via email and FTP image upload
- Integrated 64MB RAM video memory
- PoE capable
- Power supply: PoE or 12V DC / 24V AC
- Tri-axial adjustment
- Compact, vandal-resistant housing with IP67 (surface mount variant)
- DIN EN 50130-4 compliant

1) The use of IR corrected Day/Night lenses is recommended for IR lighting; Day lenses are only suitable for CasinoCam variants.

2) In development.

Variants	
200.401.10.01.101	DDF3 000IPV-DN PAL / Day-Night / white / clear bubble / surface mount variant / suitable for IR lighting HiRes vari-focal lens F1.2/ 2.9-10mm
200.401.10.01.103	DDF3 000IPV-DN PAL / Day-Night / white / clear bubble / surface mount variant / suitable for IR lighting HiRes vari-focal lens F1.5/ 9-22mm
200.401.10.01.201	DDF3 000IPV-D CasinoCam PAL / Day / white / clear bubble / surface mount variant HiRes vari-focal lens F1.2/ 2.9-10mm
200.401.10.01.203	DDF3 000IPV-D CasinoCam PAL / Day / white / clear bubble / surface mount variant HiRes vari-focal lens F1.5/ 9-22mm
200.401.10.02.100	DDF3 000IPV-DN PAL / Day-Night / white / clear bubble / in-ceiling variant / suitable for IR lighting HiRes vari-focal lens F1.2/ 2.9-10mm
200.401.10.02.102	DDF3 000IPV-DN PAL / Day-Night / white / clear bubble / in-ceiling variant / suitable for IR lighting HiRes vari-focal lens F1.5/ 9-22mm
200.401.10.02.200	DDF3 000IPV-D CasinoCam PAL / Day / white / clear bubble / in-ceiling mount variant HiRes vari-focal lens F1.2/ 2.9-10mm
200.401.10.02.202	DDF3 000IPV-D CasinoCam PAL / Day / white / clear bubble / in-ceiling mount variant HiRes vari-focal lens F1.5/ 9-22mm

Options	
200.401.10.01.01	Clear bubble, for dome cameras, surface mount variant
200.401.10.01.02	Tinted bubble, for dome cameras, surface mount variant
200.401.10.02.01	Clear bubble, for dome cameras, in-ceiling mount variant
200.401.10.02.02	Tinted bubble, for dome cameras, in-ceiling mount variant
200.401.10.02.999	Design colours: Depending on customer demand, housing colour available according to PAL or Pantone colour scale / for in-ceiling mount variants, For enquires please contact design@dallmeier.com
100.041	Universal power pack 240V AC / 24V AC, removable adapter EU/UK/US/AUS
100.042	Universal power pack 110-240V AC / 12V DC, removable adapter EU/UK/US/AUS
200.511	DPU-240W Dallmeier Power Supply Unit, 24/28V AC for the supply of up to 20x cameras, More information can be found in our Partner Forum under "Documentations".



# DDZ3 oXX-YY/HS/A DOMERA®



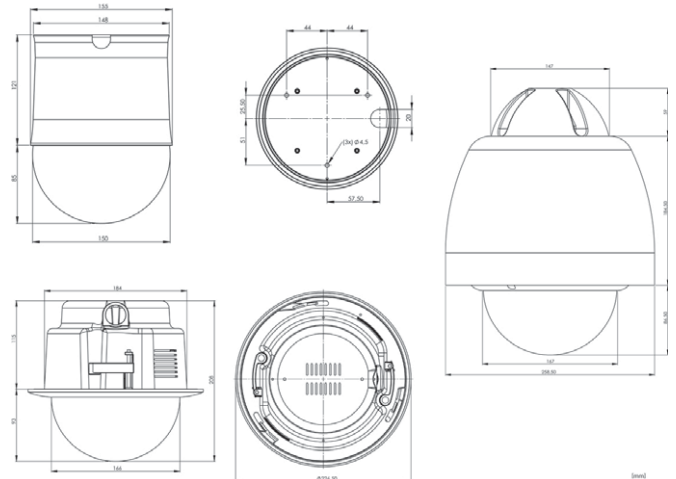
## DOMERA® Analogue

DOMERA® is a modular high-speed PTZ dome system. The high-resolution analogue Wide Dynamic Range colour dome cameras DDZ3 oXX-YY/HS/A are available in different mounting variants (in-ceiling, surface, weather-proof) and with different zoom factors (18x, 26x, 36x). The cameras are shipped as a complete system (dome camera including mounting device). The maintenance-friendly modular concept allows for flexible planning and subsequent changes to the zoom factor can be made without effort.

- Horizontal resolution: up to 530 TV lines
- 1/4" EXview HAD CCD\* sensor
- Pure Digital Signal Processing
- Three Wide Dynamic Range high-speed PTZ domes with 18x / 26x / 36x optical zoom are available
- Additional 12x digital zoom
- High sensitivity for low-light images
- ICR function for Day/Night switching
- Enhanced image quality by means of numerous control functions like AWB, AGC, BLC and slow shutter
- Auto-focus with manual override
- High-performance Pan/Tilt/Zoom mechanism
- 248 programmable preset positions, 16 programmable tours
- Integrated motion detection
- Three mounting appliances with integrated analogue I/O interface available: in-ceiling, surface and weather-proof mount
- Easy and quick installation
- DIN EN 50130-4 compliant

Variants	
200.011.001	DDZ3 018-IM/HS/A PAL / 480 TVL / Day-Night / 18x optical zoom / high-speed / clear bubble / in-ceiling mount variant
200.011.002	DDZ3 026-IM/HS/A PAL / 480 TVL / Day-Night / 26x optical zoom / high-speed / clear bubble / in-ceiling mount variant
200.011.003	DDZ3 036-IM/HS/A PAL / 480 TVL / Day-Night / 36x optical zoom / high-speed / clear bubble / in-ceiling mount variant
200.011.004	DDZ3 018-SM/HS/A PAL / 480 TVL / Day-Night / 18x optical zoom / high-speed / clear bubble / surface mount variant
200.011.005	DDZ3 026-SM/HS/A PAL / 480 TVL / Day-Night / 26x optical zoom / high-speed / clear bubble / surface mount variant
200.011.006	DDZ3 036-SM/HS/A PAL / 480 TVL / Day-Night / 36x optical zoom / high-speed / clear bubble / surface mount variant
200.011.007	DDZ3 018-WM/HS/A PAL / 480 TVL / Day-Night / 18x optical zoom / high-speed / clear bubble / weather-proof variant
200.011.008	DDZ3 026-WM/HS/A PAL / 480 TVL / Day-Night / 26x optical zoom / high-speed / clear bubble / weather-proof variant
200.011.009	DDZ3 036-WM/HS/A PAL / 480 TVL / Day-Night / 36x optical zoom / high-speed / clear bubble / weather-proof variant
200.011.052	DDZ3 018-SM/HS/A PAL / 480 TVL / Day-Night / 18x optical zoom / high-speed / clear bubble / surface mount variant / white housing (minimum order quantity and delivery periods upon request)
200.011.053	DDZ3 026-SM/HS/A PAL / 480 TVL / Day-Night / 26x optical zoom / high-speed / clear bubble / surface mount variant / white housing (minimum order quantity and delivery periods upon request)
200.011.054	DDZ3 036-SM/HS/A PAL / 480 TVL / Day-Night / 36x optical zoom / high-speed / clear bubble / surface mount variant / white housing (minimum order quantity and delivery periods upon request)
200.012.034	DDZ3 018-IM/HS/A PAL / 530 TVL / Day-Night / 18x optical zoom / high-speed / clear bubble / in-ceiling mount variant
200.012.035	DDZ3 026-IM/HS/A PAL / 530 TVL / Day-Night / 26x optical zoom / high-speed / clear bubble / in-ceiling mount variant
200.012.036	DDZ3 036-IM/HS/A PAL / 530 TVL / Day-Night / 36x optical zoom / high-speed / clear bubble / in-ceiling mount variant
200.012.037	DDZ3 018-SM/HS/A PAL / 530 TVL / Day-Night / 18x optical zoom / high-speed / clear bubble / surface mount variant
200.012.038	DDZ3 026-SM/HS/A PAL / 530 TVL / Day-Night / 26x optical zoom / high-speed / clear bubble / surface mount variant
200.012.039	DDZ3 036-SM/HS/A PAL / 530 TVL / Day-Night / 36x optical zoom / high-speed / clear bubble / surface mount variant
200.012.040	DDZ3 018-WM/HS/A PAL / 530 TVL / Day-Night / 18x optical zoom / high-speed / clear bubble / weather-proof variant
200.012.041	DDZ3 026-WM/HS/A PAL / 530 TVL / Day-Night / 26x optical zoom / high-speed / clear bubble / weather-proof variant
200.012.042	DDZ3 036-WM/HS/A PAL / 530 TVL / Day-Night / 36x optical zoom / high-speed / clear bubble / weather-proof variant
200.012.055	DDZ3 018-SM/HS/A PAL / 530 TVL / Day-Night / 18x optical zoom / high-speed / clear bubble / surface mount variant / white housing (minimum order quantity and delivery periods upon request)
200.012.056	DDZ3 026-SM/HS/A PAL / 530 TVL / Day-Night / 26x optical zoom / high-speed / clear bubble / surface mount variant / white housing (minimum order quantity and delivery periods upon request)
200.012.057	DDZ3 036-SM/HS/A PAL / 530 TVL / Day-Night / 36x optical zoom / high-speed / clear bubble / surface mount variant / white housing (minimum order quantity and delivery periods upon request)

Options	
200.401.4.51.02	Ceiling mount bracket, for weather-proof housing / white
200.401.4.52.02	Wall mount bracket, for weather-proof housing / white
200.401.4.53.02	Corner bracket, for wall mount bracket for weather-proof housing / white
200.401.4.54.02	Pole bracket, for wall mount bracket for weather-proof housing / white
200.441.999	Design colours: Depending on customer demand, housing colour available according to PAL or Pantone colour scale / for in-ceiling mount variants, For enquires please contact design@dallmeier.com
200.620	Tinted bubble, for PTZ dome cameras / in-ceiling mount variant / white cover ring
200.622	Wall mount bracket, for PTZ domes surface mount variant / black
200.630	Tinted bubble, for PTZ dome cameras / in-ceiling mount variant / black cover ring
129.303	VSC-1 (Video System Controller), for the control of cameras at the recorder
129.305.3	Joystick, Tri-axial joystick, only in combination with PView 7 Light or PView 7
200.515	Power Inserter, for the voltage supply of UTP ready cameras via DIS-2/M UTP modules (only in combination with DPU-240W or DPU-480W)
200.510	DPU-480W Dallmeier Power Supply Unit, 24/28V AC for the supply of up to 20x cameras, More information can be found in our Partner Forum under "Documentations".



DDZ3 oXX-YY/HS/IP DOMERA®



DOMERA®  
IP



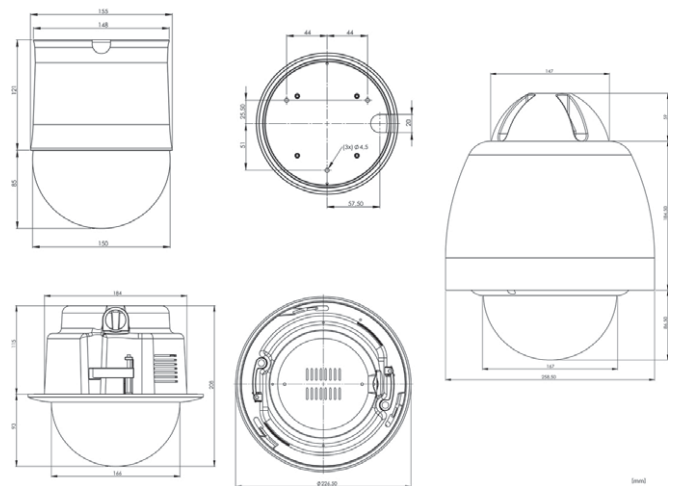
DOMERA® is a modular high-speed PTZ dome system. The high-resolution Wide Dynamic Range IP colour dome cameras DDZ3 oXX-YY/HS/IP are available in different mounting variants (in-ceiling, surface, weather-proof) and with different zoom factors (18x, 26x, 36x). The cameras are shipped as a complete system (dome camera including mounting device). The maintenance-friendly modular concept allows for flexible planning and subsequent changes to the zoom factor can be made without effort.

- Horizontal resolution: up to 530 TV lines
- 1/4" EXview HAD CCD\* sensor
- Pure Digital Signal Processing
- Three Wide Dynamic Range high-speed PTZ domes with 18x / 26x / 36x optical zoom are available
- Additional 12x digital zoom
- High sensitivity for low-light images
- ICR function for Day/Night switching
- Enhanced image quality by means of numerous control functions like AWB, AGC, BLC and slow shutter
- Auto-focus with manual override
- IP output and analogue preview output
- Motion detection with selectable sensitivity integrated
- Video compression with MPEG-2/-4, MJPEG or H.264 <sup>1)</sup>
- Resolution up to D1 and frame rate up to 25fps at all resolutions
- Alarm message via email and FTP image upload
- Integrated 64MB RAM video memory
- High-performance Pan/Tilt/Zoom mechanism
- 248 programmable preset positions, 16 programmable tours
- Three mounting appliances available with integrated IP I/O interface: in-ceiling, surface and weather-proof mount
- Easy and quick installation
- DIN EN 50130-4 compliant

1) In development

Variants	
200.021.010	DDZ3 018-IM/HS/IP PAL / 480 TVL / Day-Night / 18x optical zoom / high-speed / clear bubble / in-ceiling mount variant
200.021.011	DDZ3 026-IM/HS/IP PAL / 480 TVL / Day-Night / 26x optical zoom / high-speed / clear bubble / in-ceiling mount variant
200.021.012	DDZ3 036-IM/HS/IP PAL / 480 TVL / Day-Night / 36x optical zoom / high-speed / clear bubble / in-ceiling mount variant
200.021.013	DDZ3 018-SM/HS/IP PAL / 480 TVL / Day-Night / 18x optical zoom / high-speed / clear bubble / surface mount variant
200.021.014	DDZ3 026-SM/HS/IP PAL / 480 TVL / Day-Night / 26x optical zoom / high-speed / clear bubble / surface mount variant
200.021.015	DDZ3 036-SM/HS/IP PAL / 480 TVL / Day-Night / 36x optical zoom / high-speed / clear bubble / surface mount variant
200.021.016	DDZ3 018-WM/HS/IP PAL / 480 TVL / Day-Night / 18x optical zoom / high-speed / clear bubble / weather-proof variant
200.021.017	DDZ3 026-WM/HS/IP PAL / 480 TVL / Day-Night / 26x optical zoom / high-speed / clear bubble / weather-proof variant
200.021.018	DDZ3 036-WM/HS/IP PAL / 480 TVL / Day-Night / 36x optical zoom / high-speed / clear bubble / weather-proof variant
200.021.058	DDZ3 018-SM/HS/IP PAL / 480 TVL / Day-Night / 18x optical zoom / high-speed / clear bubble / surface mount variant / white housing (minimum order quantity and delivery periods upon request)
200.021.059	DDZ3 026-SM/HS/IP PAL / 480 TVL / Day-Night / 26x optical zoom / high-speed / clear bubble / surface mount variant / white housing (minimum order quantity and delivery periods upon request)
200.021.060	DDZ3 036-SM/HS/IP PAL / 480 TVL / Day-Night / 36x optical zoom / high-speed / clear bubble / surface mount variant / white housing (minimum order quantity and delivery periods upon request)
200.022.043	DDZ3 018-IM/HS/IP PAL / 530 TVL / Day-Night / 18x optical zoom / high-speed / clear bubble / in-ceiling mount variant
200.022.044	DDZ3 026-IM/HS/IP PAL / 530 TVL / Day-Night / 26x optical zoom / high-speed / clear bubble / in-ceiling mount variant
200.022.045	DDZ3 036-IM/HS/IP PAL / 530 TVL / Day-Night / 36x optical zoom / high-speed / clear bubble / in-ceiling mount variant
200.022.046	DDZ3 018-SM/HS/IP PAL / 530 TVL / Day-Night / 18x optical zoom / high-speed / clear bubble / surface mount variant
200.022.047	DDZ3 026-SM/HS/IP PAL / 530 TVL / Day-Night / 26x optical zoom / high-speed / clear bubble / surface mount variant
200.022.048	DDZ3 036-SM/HS/IP PAL / 530 TVL / Day-Night / 36x optical zoom / high-speed / clear bubble / surface mount variant
200.022.049	DDZ3 018-WM/HS/IP PAL / 530 TVL / Day-Night / 18x optical zoom / high-speed / clear bubble / weather-proof variant
200.022.050	DDZ3 026-WM/HS/IP PAL / 530 TVL / Day-Night / 26x optical zoom / high-speed / clear bubble / weather-proof variant
200.022.051	DDZ3 036-WM/HS/IP PAL / 530 TVL / Day-Night / 36x optical zoom / high-speed / clear bubble / weather-proof variant
200.022.061	DDZ3 018-SM/HS/IP PAL / 530 TVL / Day-Night / 18x optical zoom / high-speed / clear bubble / surface mount variant / white housing (minimum order quantity and delivery periods upon request)
200.022.062	DDZ3 026-SM/HS/IP PAL / 530 TVL / Day-Night / 26x optical zoom / high-speed / clear bubble / surface mount variant / white housing (minimum order quantity and delivery periods upon request)
200.022.063	DDZ3 036-SM/HS/IP PAL / 530 TVL / Day-Night / 36x optical zoom / high-speed / clear bubble / surface mount variant / white housing (minimum order quantity and delivery periods upon request)

Options	
200.401.4.51.02	Ceiling mount bracket, for weather-proof housing / white
200.401.4.52.02	Wall mount bracket, for weather-proof housing / white
200.401.4.53.02	Corner bracket, for wall mount bracket for weather-proof housing / white
200.401.4.54.02	Pole bracket, for wall mount bracket for weather-proof housing / white
200.441.999	Design colours: Depending on customer demand, housing colour available according to PAL or Pantone colour scale / for in-ceiling mount variants, For enquires please contact design@dallmeier.com
200.620	Tinted bubble, for PTZ dome cameras / in-ceiling mount variant / , white cover ring
200.622	Wall mount bracket, for PTZ domes surface mount variant / black
200.630	Tinted bubble, for PTZ dome cameras / in-ceiling mount variant / black cover ring
129.303	VSC-1 (Video System Controller), for the control of cameras at the recorder
129.305.3	Joystick, Tri-axial joystick, only in combination with PView 7 Light or PView 7
200.510	DPU-480W Dallmeier Power Supply Unit, 24/28V AC for the supply of up to 20x cameras, More information can be found in our Partner Forum under "Documentations".



## DDZ3 018-YY/RP/A DOMERA®



**DOMERA®**  
Remote-Positioning

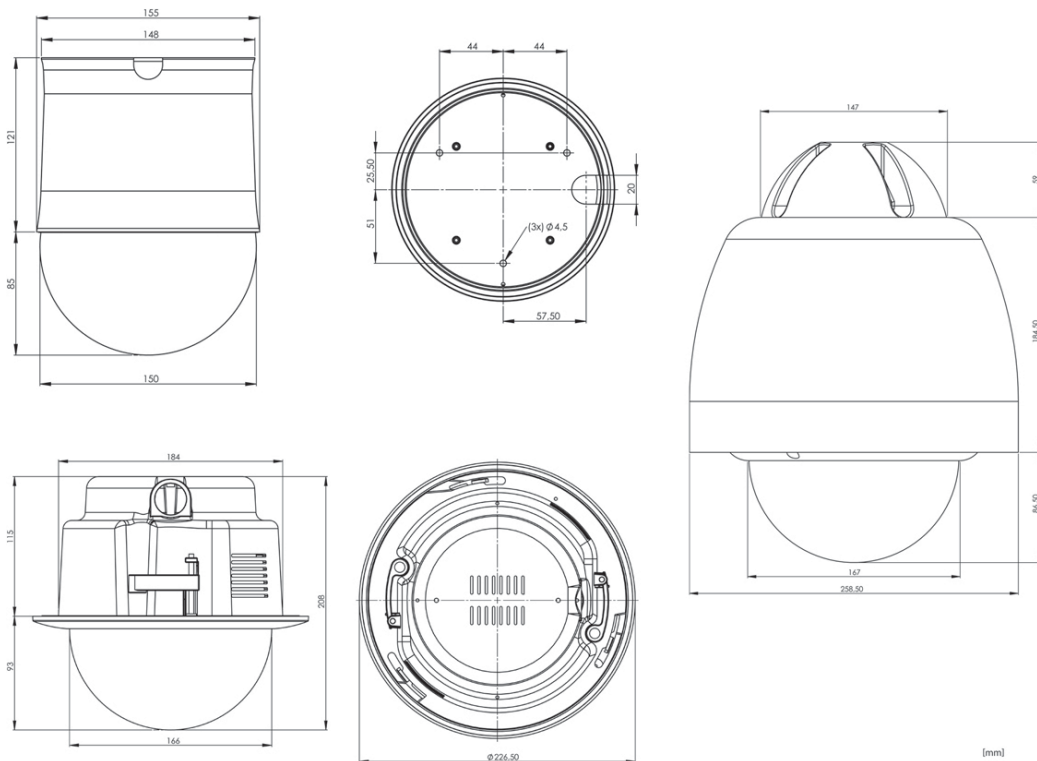


DOMERA® is a modular remote-positioning PTZ dome system. The high-resolution analogue Wide Dynamic Range colour dome cameras DDZ3 018-YY/RP/A are available in different mounting variants (in-ceiling, surface, weather-proof) and with 18x zoom factor. The cameras are shipped as a complete system (dome camera including mounting device). The maintenance-friendly modular concept allows for flexible planning.

- Horizontal resolution: 480 TV lines
- 1/4" EXview HAD CCD\* sensor
- Pure Digital Signal Processing
- 18x optical zoom additional 12x digital zoom
- High sensitivity for low-light images
- Enhanced image quality by means of numerous control functions like AWB, AGC, BLC and slow shutter
- Auto-focus with manual override
- Remote-positioning Pan/Tilt/Zoom mechanism
- 8 programmable preset positions
- Three mounting appliances with integrated analogue I/O interface available: in-ceiling, surface and weather-proof mount
- Easy and quick installation
- DIN EN 50130-4 compliant

Variants	
200.01.022	DDZ3 018-IM/RP/A PAL / Day / remote positioning / clear bubble / in-ceiling mount variant 18x optical zoom
200.01.023	DDZ3 018-SM/RP/A PAL / Day / remote positioning / clear bubble / surface mount variant 18x optical zoom
200.01.024	DDZ3 018-WM/RP/A PAL / Day / remote positioning / clear bubble / weather-proof variant 18x optical zoom
200.01.064	DDZ3 018-SM/RP/A PAL / Day / remote positioning / clear bubble / surface mount variant 18x optical zoom white housing (minimum order quantity and delivery periods upon request)

Options	
200.401.4.51.02	Ceiling mount bracket, for weather-proof housing / white
200.401.4.53.02	Corner bracket, for wall mount bracket for weather-proof housing / white
200.401.4.54.02	Pole bracket, for wall mount bracket for weather-proof housing / white
200.441.999	Design colours: Depending on customer demand, housing colour available according to PAL or Pantone colour scale / for in-ceiling mount variants. For enquires please contact <a href="mailto:design@dallmeier.com">design@dallmeier.com</a>
200.620	Tinted bubble, for PTZ dome cameras / in-ceiling mount variant / white cover ring
200.622	Wall mount bracket, for PTZ domes surface mount variant / black
200.630	Tinted bubble, for PTZ dome cameras / in-ceiling mount variant / black cover ring
129.303	VSC-1 (Video System Controller), for the control of cameras at the recorder
129.305.3	Joystick, Tri-axial joystick, only in combination with PView 7 Light or PView 7
200.515	Power Inserter, for the voltage supply of UTP ready cameras via DIS-2/M UTP modules (only in combination with DPU-240W or DPU-480W)
200.445.18.1.001	DDZ3 018-SM/RP, PTZ dome camera without I/O interface, PAL / Day / black / remote positioning / surface mount variant / 18x optical zoom
200.445.18.2.001	DDZ3 018-IM/RP, PTZ dome camera without I/O interface, PAL / Day / black / remote positioning / in-ceiling mount variant / 18x optical zoom
200.510	DPU-480W Dallmeier Power Supply Unit, 24/28V AC for the supply of up to 20x cameras, More information can be found in our Partner Forum under "Documentations".



# DDZ3 018-YY/RP/IP DOMERA®



**DOMERA®**  
Remote-Positioning



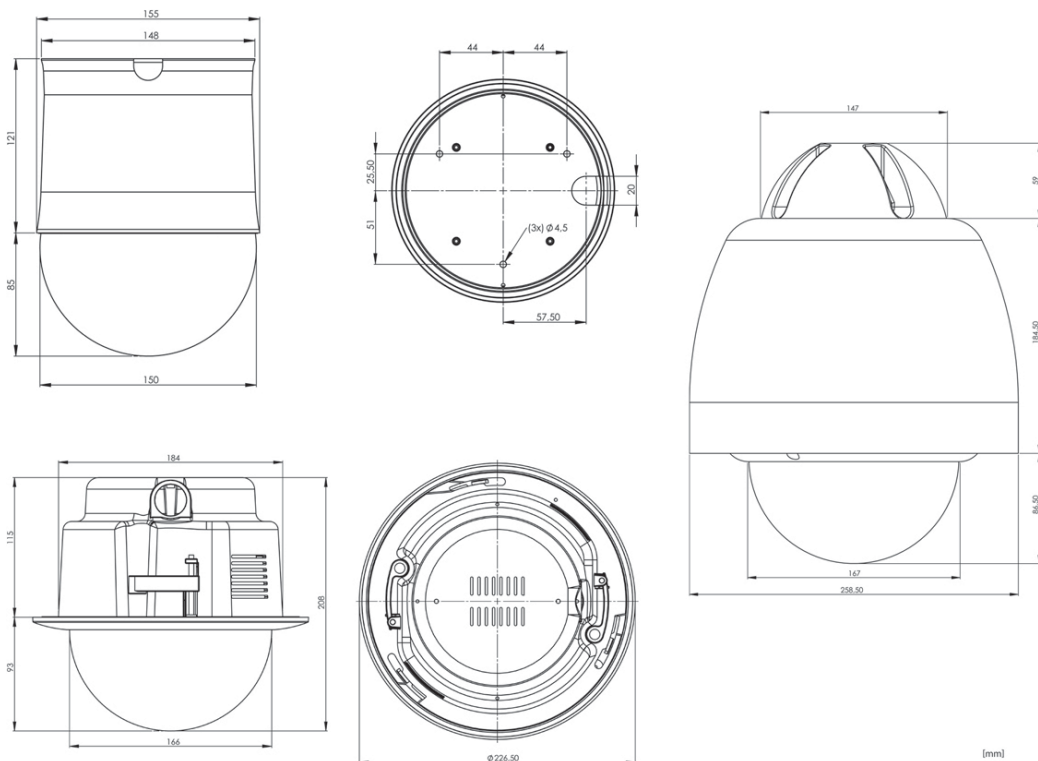
DOMERA® is a modular remote-positioning PTZ dome system. The high-resolution IP colour dome cameras DDZ3 018-YY/RP/IP are available in different mounting variants (in-ceiling, surface, weather-proof) and with 18x zoom factors. The cameras are shipped as a complete system (dome camera including mounting device). The maintenance-friendly modular concept allows for flexible planning.

- Horizontal resolution: 480 TV lines
- 1/4" EXview HAD CCD\* sensor
- Pure Digital Signal Processing
- 18x optical zoom and additional 12x digital zoom
- High sensitivity for low-light images
- Enhanced image quality by means of numerous control functions like AWB, AGC, BLC and slow shutter
- Auto-focus with manual override
- IP output and analogue preview output
- Motion detection with selectable sensitivity integrated
- Video compression with MPEG-2/-4, MJPEG or H.264 <sup>1)</sup>
- Resolution up to D1 and frame rate up to 25fps at all resolutions
- Alarm message via email and FTP image upload
- Integrated 64MB RAM video memory
- Remote-positioning Pan/Tilt/Zoom mechanism
- 8 programmable preset positions
- Three mounting appliances available with integrated IP I/O interface: in-ceiling, surface and weather-proof mount
- Easy and quick installation
- DIN EN 50130-4 compliant

1) In development

Variants	
200.02.019	DDZ3 018-IM/RP/IP PAL / Day / remote positioning / clear bubble / in-ceiling mount variant 18x optical zoom
200.02.020	DDZ3 018-SM/RP/IP PAL / Day / remote positioning / clear bubble / surface mount variant 18x optical zoom
200.02.021	DDZ3 018-WM/RP/IP PAL / Day / remote positioning / clear bubble / weather-proof variant 18x optical zoom
200.02.065	DDZ3 018-IM/RP/IP PAL / Day / remote positioning / clear bubble / surface mount variant 18x optical zoom white housing (minimum order quantity and delivery periods upon request)

Options	
200.401.4.51.02	Ceiling mount bracket, for weather-proof housing / white
200.401.4.53.02	Corner bracket, for wall mount bracket for weather-proof housing / white
200.401.4.54.02	Pole bracket, for wall mount bracket for weather-proof housing / white
200.441.999	Design colours: Depending on customer demand, housing colour available according to PAL or Pantone colour scale / for in-ceiling mount variants, For enquires please contact <a href="mailto:design@dallmeier.com">design@dallmeier.com</a>
200.620	Tinted bubble, for PTZ dome cameras / in-ceiling mount variant / white cover ring
200.622	Wall mount bracket, for PTZ domes surface mount variant / black
200.630	Tinted bubble, for PTZ dome cameras / in-ceiling mount variant / black cover ring
129.303	VSC-1 (Video System Controller), for the control of cameras at the recorder
129.305.3	Joystick, Tri-axial joystick, only in combination with PView 7 Light or PView 7
200.445.18.1.001	DDZ3 018-SM/RP, PTZ dome camera without I/O interface, PAL / Day / black / remote positioning / surface mount variant / 18x optical zoom
200.445.18.2.001	DDZ3 018-IM/RP, PTZ dome camera without I/O interface, PAL / Day / black / remote positioning / in-ceiling mount variant / 18x optical zoom
200.510	DPU-480W Dallmeier Power Supply Unit, 24/28V AC for the supply of up to 20x cameras, More information can be found in our Partner Forum under "Documentations".



## DDZ3 018A-DN

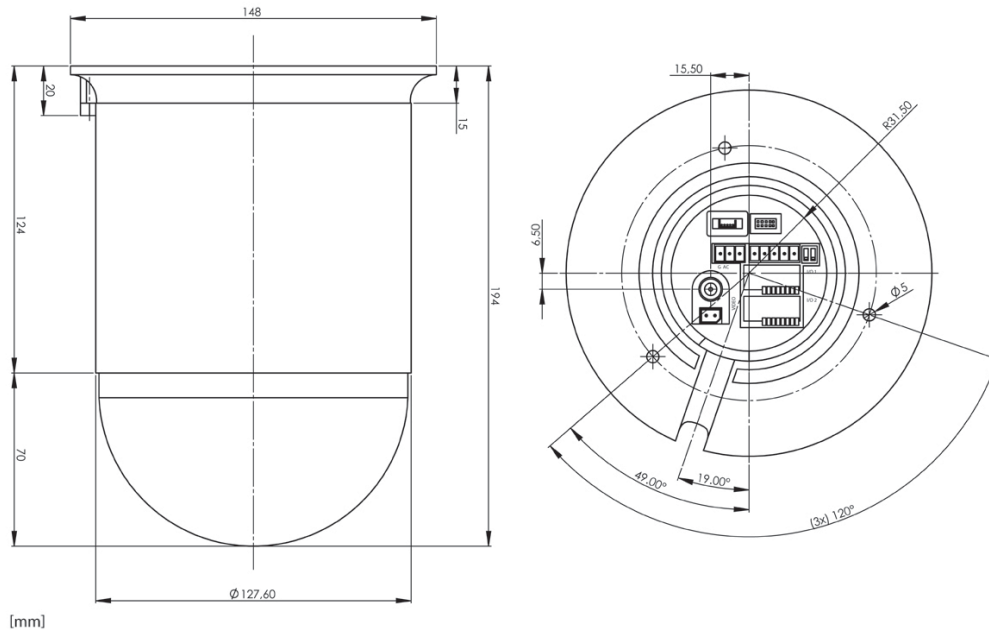


The DDZ3 018A-DN is a HiRes high-speed PTZ colour dome camera.

- Horizontal resolution: 480 TV lines
- 1/4" EXview HAD CCD\* sensor
- Pure Digital Signal Processing
- HiRes zoom lens: F1.4-F3.0/ f=4.1-73.8mm
- 18x optical zoom and additional 12x digital zoom
- High sensitivity for low-light images at F1.4, 50IRE: 0.7 lux and (-DN) 0.01 lux
- ICR function for Day/Night switching
- Enhanced image quality by means of numerous control functions like AWB, AGC, BLC and slow shutter
- Auto-focus with manual override
- High-performance Pan/Tilt/Zoom mechanism
- 248 programmable preset positions, 12 programmable guard tours
- 8 alarm inputs and 2 relay outputs
- Configuration and control via RS485 interface

Variants	
200.401.7.103	DDZ3 018A-DN (DS) PAL / Day-Night / 18x optical zoom / black / clear bubble / in-ceiling mount variant
200.401.7.106	DDZ3 018A-DN (DS) PAL / Day-Night / 18x optical zoom / white / clear bubble / surface mount variant

Options	
200.401.4.10.02	Wall mount bracket, for PTZ dome cameras surface mount variant / white
200.401.4.10.03	Wall mount bracket, for PTZ dome cameras surface mount variant / black
200.401.4.20.02	In-ceiling mount kit, for PTZ dome cameras / white cover ring
200.401.4.50.02	Weather-proof housing, for PTZ dome cameras / with integrated fan and heater / white
200.401.4.51.02	Ceiling mount bracket, for weather-proof housing / white
200.401.4.52.02	Wall mount bracket, for weather-proof housing / white
200.401.4.53.02	Corner bracket, for wall mount bracket for weather-proof housing / white
200.401.4.54.02	Pole bracket, for wall mount bracket for weather-proof housing / white
200.401.4.55.02	Sun shield, for weather-proof housing / white
200.401.7.02.01	Clear bubble for, PTZ dome cameras
200.401.7.02.02	Tinted bubble, for PTZ dome cameras
129.303	VSC-1 (Video System Controller), for the control of cameras at the recorder
100.041	Universal power pack 240V AC / 24V AC, removable adapter EU/UK/US/AUS
200.510	DPU-480W Dallmeier Power Supply Unit, 24/28V AC for the supply of up to 20x cameras, More information can be found in our Partner Forum under "Documentations".



## DDZ3 o26A-DN

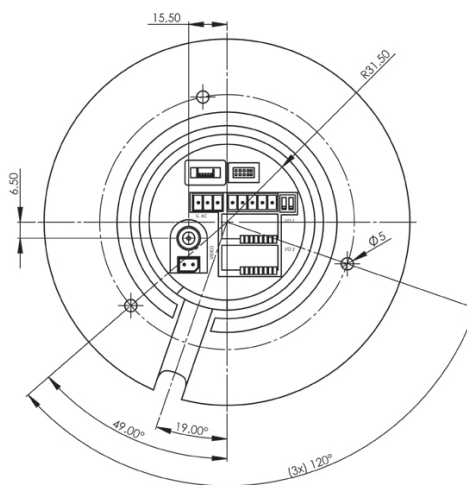
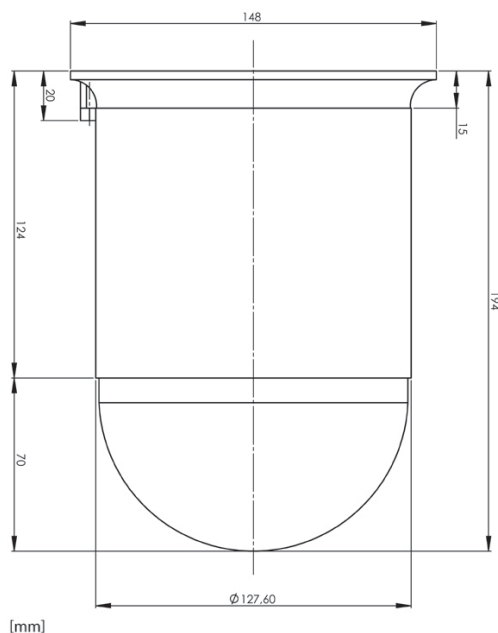


The DDZ3 o26A-DN is a HiRes high-speed PTZ colour dome camera.

- Horizontal resolution: 480 TV lines
- 1/4" Super HAD CCD\* sensor
- Pure Digital Signal Processing
- HiRes zoom lens: F1.6-F3.8/ f=3.5-91.0mm
- 26x optical zoom and additional 10x digital zoom
- High sensitivity for low-light images at F1.6, 50IRE: 1.0 lux and (-DN) 0.1 lux
- ICR function for Day/Night switching
- Enhanced image quality by means of numerous control functions like AWB, AGC, BLC and slow shutter
- Image stabilisation
- Auto-focus with manual override
- High-performance Pan/Tilt/Zoom mechanism
- 248 programmable preset positions, 12 programmable guard tours
- 8 alarm inputs and 2 relay outputs
- Configuration and control via RS485 interface

Variants	
200.401.11.100	DDZ3 o26A-DN (PS) PAL / Day-Night / 26x optical zoom / black / clear bubble
200.401.11.101	DDZ3 o26A-DN (PS) PAL / Day-Night / 26x optical zoom / black / tinted bubble

Options	
200.401.4.10.02	Wall mount bracket, for PTZ dome cameras surface mount variant / white
200.401.4.10.03	Wall mount bracket, for PTZ dome cameras surface mount variant / black
200.401.4.20.02	In-ceiling mount kit, for PTZ dome cameras / white cover ring
200.401.4.50.12	Weather-proof housing, for PTZ dome cameras / with integrated fan and heater / white
200.401.4.51.02	Ceiling mount bracket, for weather-proof housing / white
200.401.4.52.02	Wall mount bracket, for weather-proof housing / white
200.401.4.53.02	Corner bracket, for wall mount bracket for weather-proof housing / white
200.401.4.54.02	Pole bracket, for wall mount bracket for weather-proof housing / white
200.401.4.55.02	Sun shield, for weather-proof housing / white
200.401.7.01.01	Clear bubble, for PTZ dome cameras
200.401.7.01.02	Tinted bubble for, PTZ dome cameras
129.303	VSC-1 (Video System Controller), for the control of cameras at the recorder
100.041	Universal power pack 240V AC / 24V AC, removable adapter EU/UK/US/AUS
200.510	DPU-480W Dallmeier Power Supply Unit, 24/28V AC for the supply of up to 20x cameras, More information can be found in our Partner Forum under "Documentations".



# DDF3 000APV Picodome®

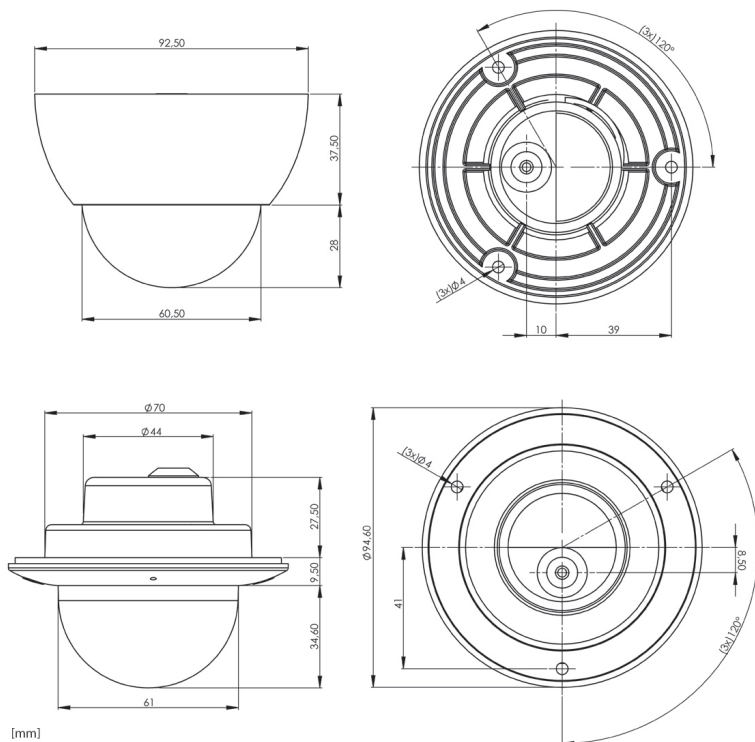


The DDF3 000APV is a vandal-resistant UWDR Cam\_inPIX® colour Picodome®.

- Horizontal resolution: 540 TV lines
- 1/3" DPS\* sensor with Cam\_inPIX® technology
- Digital Pixel System\* chipset
- Pure 17-bit Digital Signal Processing
- High sensitivity for low-light images at F1.4, 50IRE: 1.0 lux
- Progressive image capture
- Progressive With Segmented Frames (PsF) image data transmission
- IR cut lens coating
- Advanced noise reduction
- Enhanced image quality by means of numerous control functions like AWB, AGC, BLC and extended slow shutter
- Mono-focal lens with F1.4/ f=3.6mm
- Configuration via UTC commands
- Compact, vandal-resistant housing with IP66 (surface mount version)
- PPL (push, point and lock, easy alignment)
- DIN EN 50130-4 compliant

Variants	
200.401.17.002	DDF3 000APV-D Picodome® PAL / Day / white / clear bubble / surface mount variant mono-focal lens F1.4/ 3.6mm
200.401.17.003	DDF3 000APV-D Picodome® PAL / Day / white / clear bubble / surface mount variant HiRes mono-focal lens F2.5/ 2.3mm
200.401.17.004	DDF3 000APV-D Picodome® PAL / Day / white / clear bubble / surface mount variant mono-focal lens F1.8/ 6mm
200.401.17.005	DDF3 000APV-D Picodome® PAL / Day / white / clear bubble / surface mount variant mono-focal lens F2.0/ 8mm
200.401.18.002	DDF3 000APV-D Picodome® PAL / Day / white / clear bubble / in-ceiling mount variant mono-focal lens F1.4/ 3.6mm
200.401.18.003	DDF3 000APV-D Picodome® PAL / Day / white / clear bubble / in-ceiling mount variant HiRes mono-focal lens F2.5/ 2.3mm
200.401.18.004	DDF3 000APV-D Picodome® PAL / Day / white / clear bubble / in-ceiling mount variant mono-focal lens F1.8/ 6mm
200.401.18.005	DDF3 000APV-D Picodome® PAL / Day / white / clear bubble / in-ceiling mount variant mono-focal lens F2.0/ 8mm

Options	
200.401.17.05.03	Mounting ring for surface mount variants, standard adapter ring, lateral cable routing, screw connection at flush-mounted sockets according to DIN 49073 (D=68mm and D=74mm),
200.401.17.05.11	Angular adapter for surface mount variants, 15° adapter ring, angle of view with wall/ceiling mounting of 90°, lateral cable routing, screw connection at flush-mounted sockets according to DIN 49073 (D=68mm and D=74mm),
200.401.17.999	Design colours: Depending on customer demand, housing colour available according to PAL or Pantone colour scale / for surface mount variants. For enquires please contact design@dallmeier.com
200.401.18.999	Design colours: Depending on customer demand, housing colour available according to PAL or Pantone colour scale / for in-ceiling mount variants. For enquires please contact design@dallmeier.com
100.043	Voltage converter 24V AC on 12V DC
200.433	Privacy Zone Box, for analogue cameras, More information can be found in our Partner Forum under "Documentations".
200.440	PicoRemote, UTC Remote Box for analogue Cam_inPIX® cameras, More information can be found in our Partner Forum under "Documentations".
200.401.17.01.004	Designer cover ring, surface mount variant / carbon black-silver high gloss finish
200.401.17.01.011	Designer cover ring, surface mount variant / dark walnut matt
200.401.17.01.014	Designer cover ring, surface mount variant / dark burl wood high gloss finish
200.401.17.01.016	Designer cover ring, surface mount variant / bright burl wood high gloss finish
200.401.17.01.018	Designer cover ring, surface mount variant / marble black-white high gloss finish
200.401.18.01.001	Designer cover ring, in-ceiling mount variant / black beamless
200.401.18.01.002	Designer cover ring, in-ceiling mount variant / coppery brushed
200.401.18.01.003	Designer cover ring, in-ceiling mount variant / carbon black-silver high gloss finish
200.401.18.01.005	Designer cover ring, in-ceiling mount variant / chrome
200.401.18.01.006	Designer cover ring, in-ceiling mount variant / chrome black
200.401.18.01.007	Designer cover ring, in-ceiling mount variant / golden brushed
200.401.18.01.008	Designer cover ring, in-ceiling mount variant / golden gleaming
200.401.18.01.010	Designer cover ring, in-ceiling mount variant / dark walnut matt
200.401.18.01.012	Designer cover ring, in-ceiling mount variant / silver
200.401.18.01.013	Designer cover ring, in-ceiling mount variant / dark burl wood high gloss finish
200.401.18.01.015	Designer cover ring, in-ceiling mount variant / bright burl wood high gloss finish
200.401.18.01.017	Designer cover ring, in-ceiling mount variant / marble black-white high gloss finish
100.042	Universal power pack 110-240V AC / 12V DC, removable adapter EU/UK/US/AUS
200.434.1.001	MicroStreamer-PoE, PAL / grey



## DDF3 000A4-DN



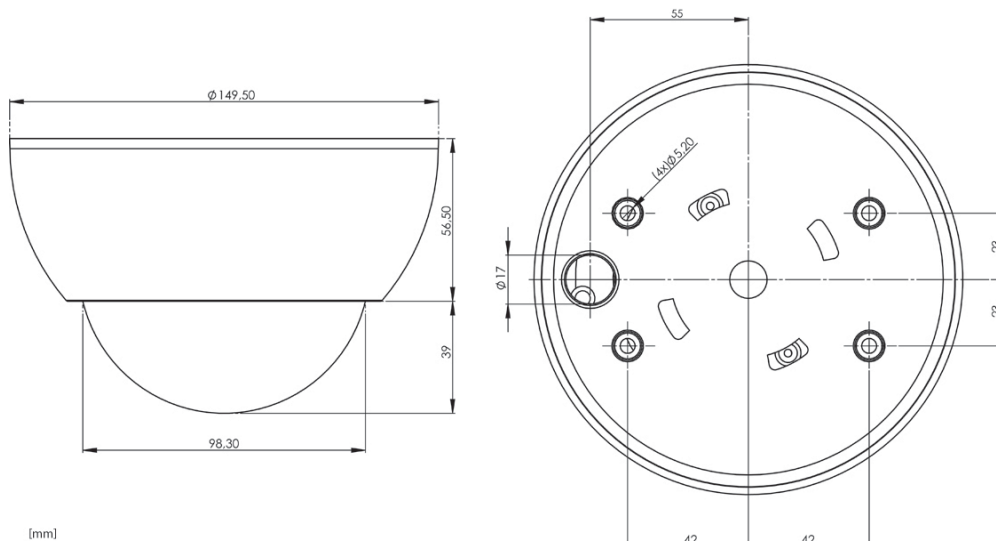
The DDF3 000A4-DN is a HiRes UWDR Cam\_inPIX® colour mini dome with dual mode UTP (two-wire line/Unshielded Twisted Pair) and BNC video output and tri-axial gimbal adjustment. The DDF3 000A4-DN can be operated on 12V DC as well as on 24V AC power supply.

- Horizontal resolution: 540 TV lines
- 1/3" DPS\* image sensor with Cam\_inPIX® technology
- Digital Pixel System\* chipset
- 17-bit Digital Signal Processing
- High light sensitivity at F1.2, 50IRE: 0.8 lux and (-DN) 0.3 lux
- Progressive image capture
- Progressive With Segmented Frames (PsF) image transmission
- ICR function for Day/Night switching
- Enhanced noise suppression
- Optimisation of image quality through numerous control functions such as AWB, AGC, BLC and extended Slow Shutter
- HiRes vari-focal lens with F1.2/ f=2.9-10mm, Day/Night <sup>1)</sup>
- Configuration via UTC commands
- Video outputs: 1x UTP and 1x BNC
- Tri-axial gimbal adjustment
- Power supply: 12V DC or 24V AC
- DIN EN 50130-4 compliant

1) The use of IR corrected Day/Night lenses is recommended for IR lighting; Day lenses are only suitable for CasinoCam variants.

Variants	
200.404.01.101	DDF3 000A4-DN PAL / Day-Night / white / clear bubble / surface mount variant / suitable for IR lighting HiRes vari-focal lens F1.5 / 9-22mm
200.404.01.102	DDF3 000A4-DN PAL / Day-Night / white / clear bubble / surface mount variant / suitable for IR lighting HiRes vari-focal lens F1.2 / 2.9-10mm
200.404.01.201	DDF3 000A4-D CasinoCam PAL / Day / white / clear bubble / surface mount variant HiRes vari-focal lens F1.2 / 2.9-10 mm
200.404.01.202	DDF3 000A4-D CasinoCam PAL / Day / white / clear bubble / surface mount variant HiRes vari-focal lens F1.5 / 9-22 mm

Options	
200.401.10.01.01	Clear bubble, for dome cameras, surface mount variant
200.401.10.01.02	Tinted bubble, for dome cameras, surface mount variant
200.404.01.05.03	Mounting ring for surface mount variant, standard adapter ring, lateral cable routing, screw connection at flush-mounted sockets according to DIN 49073 (D=68mm and D=74mm),
200.404.01.05.11	Angular adapter for surface mount variant, 15° adapter ring, angle of view with wall/ceiling mounting of 90°, lateral cable routing, screw connection at flush-mounted sockets according to DIN 49073 (D=68mm and D=74mm),
200.404.01.999	Design colours: Depending on customer demand, housing colour available according to PAL or Pantone colour scale / for surface mount variants., For enquires please contact <a href="mailto:design@dallmeier.com">design@dallmeier.com</a>
200.401.2.09.01	Preview adapter cable, phone jack 3,5mm on BNC
200.433	Privacy Zone Box, for analogue cameras, More information can be found in our Partner Forum under "Documentations".
200.440	PicoRemote, UTC Remote Box for analogue Cam_inPIX® cameras, More information can be found in our Partner Forum under "Documentations".
200.515	Power Inserter, for the voltage supply of UTP ready cameras via DIS-2/M UTP modules (only in combination with DPU-240W or DPU-480W)
100.041	Universal power pack 240V AC / 24V AC, removable adapter EU/UK/US/AUS
100.042	Universal power pack 110-240V AC / 12V DC, removable adapter EU/UK/US/AUS
200.511	DPU-240W Dallmeier Power Supply Unit, 24/28V AC for the supply of up to 20x cameras, More information can be found in our Partner Forum under "Documentations".
200.434.1.001	MicroStreamer-PoE, PAL / grey



## DDF3 000AV4-DN



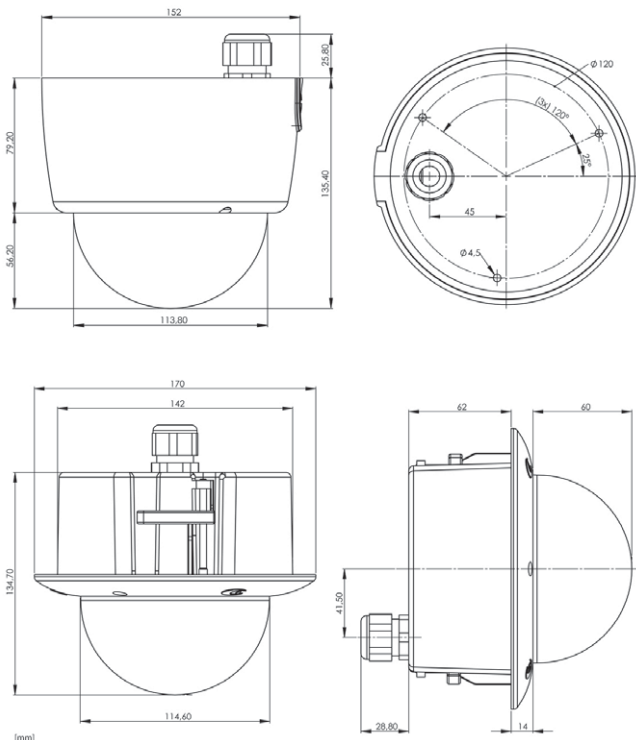
The DDF3 000AV4-DN is a vandal-resistant high-resolution UWDR Cam\_inPIX® colour minidome with DualMode video UTP (two-wire line/Unshielded Twisted Pair) and BNC video output as well as tri-axial adjustment.

- Horizontal resolution: 540 TV lines
- 1/3" DPS\* image sensor with Cam\_inPIX® technology
- Digital Pixel System\* chipset
- 17-bit Digital Signal Processing
- High light sensitivity at Fo.95, 50IRE: 0.5 lux and (-DN) 0.2 lux
- Progressive image capture
- Progressive With Segmented Frames (PsF) image transmission
- ICR function for Day/Night switching
- Enhanced noise suppression
- Enhanced image quality by means of numerous control functions like AWB, AGC, BLC and extended slow shutter
- HiRes vari-focal lens: Fo.95 / f=2.9-8mm, IR corrected, Day/Night <sup>1)</sup>
- Configuration via UTC commands
- Video output: 1x UTP and 1x BNC
- Tri-axial adjustment
- Compact vandal-resistant housing with IP67 (surface mount variant)
- Power supply: 12V DC or 24V AC
- VdS variant available in combination with VdS variant of the DMS recorder series (VdS CertiSec Pack®)
- DIN EN 50130-4 compliant

1) The use of IR corrected Day/Night lenses is recommended for IR lighting; Day lenses are only suitable for CasinoCam variants.

Variants	
200.404.03.101	DDF3 000AV4-DN PAL / Day-Night / white / clear bubble / surface mount variant / suitable for IR lighting HiRes vari-focal lens Fo.95 / 2.9-8mm
200.404.03.102	DDF3 000AV4-DN PAL / Day-Night / white / clear bubble / surface mount variant / suitable for IR lighting HiRes vari-focal lens F1.5 / 15-50mm
200.404.03.201	DDF3 000AV4-D CasinoCam PAL / Day / white / clear bubble / surface mount variant HiRes vari-focal lens Fo.95 / 2.8-8mm
200.404.03.202	DDF3 000AV4-D CasinoCam PAL / Day / white / clear bubble / surface mount variant HiRes vari-focal lens F1.5 / 15-50mm
200.404.04.101	DDF3 000AV4-DN PAL / Day-Night / white / clear bubble / in-ceiling mount variant / suitable for IR lighting HiRes vari-focal lens Fo.95 / 2.9-8mm
200.404.04.102	DDF3 000AV4-DN PAL / Day-Night / white / clear bubble / in-ceiling mount variant / suitable for IR lighting HiRes vari-focal lens F1.5 / 15-50mm
200.404.04.201	DDF3 000AV4-D CasinoCam PAL / Day / white / clear bubble / in-ceiling mount variant HiRes vari-focal lens Fo.95 / 2.8-8mm
200.404.04.202	DDF3 000AV4-D CasinoCam PAL / Day / white / clear bubble / in-ceiling mount variant HiRes vari-focal lens F1.5 / 15-50mm

Options	
200.404.03.01.01	Clear bubble, for dome cameras
200.404.03.01.02	Tinted bubble, for dome cameras
200.404.04.999	Design colours: Depending on customer demand, housing colour available according to PAL or Pantone colour scale for in-ceiling mount variants, For enquires please contact <a href="mailto:design@dallmeier.com">design@dallmeier.com</a>
200.401.2.09.01	Preview adapter cable, phone jack 3.5mm on BNC
200.433	Privacy Zone Box, for analogue cameras, More information can be found in our Partner Forum under "Documentations".
200.440	PicoRemote, UTC Remote Box for analogue Cam_inPIX® cameras, More information can be found in our Partner Forum under "Documentations".
200.515	Power inserter, for the voltage supply of UTP ready cameras via DIS-2/M UTP modules (only in combination with DPU-240W or DPU-480W)
100.041	Universal power pack 240V AC / 24V AC, removable adapter EU/UK/US/AUS
100.042	Universal power pack 110-240V AC / 12V DC, removable adapter EU/UK/US/AUS
200.511	DPU-240W Dallmeier Power Supply Unit, 24/28V AC for the supply of up to 20x cameras, More information can be found in our Partner Forum under "Documentations".
200.434.1.001	MicroStreamer-PoE, PAL / grey



## DDF3 000A3(-DN)



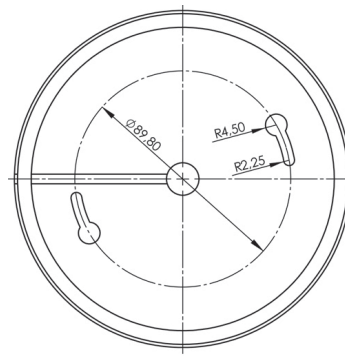
Availability upon request The DDF3 000A3(-DN) is a HiRes UWDR Cam\_inPIX® colour minidome with tri-axial gimbal adjustment.

- Horizontal resolution: 540 TV lines
- 1/3" DPS\* sensor with Cam\_inPIX® technology
- Digital Pixel System\* chipset
- Pure 17-bit Digital Signal Processing
- High sensitivity for low-light images at F1.2, 50IRE: 0.8 lux and (-DN) 0.3 lux
- Progressive image capture
- Progressive With Segmented Frames (PsF) image data transmission
- ICR function for Day/Night switching
- Advanced noise reduction
- Enhanced image quality by means of numerous control functions like AWB, AGC, BLC and extended slow shutter
- HiRes vari-focal lens with F1.2/ f=2.9-10mm, Day <sup>1)</sup>
- Configuration via UTC commands
- Tri-axial gimbal adjustment
- DIN EN 50130-4 compliant

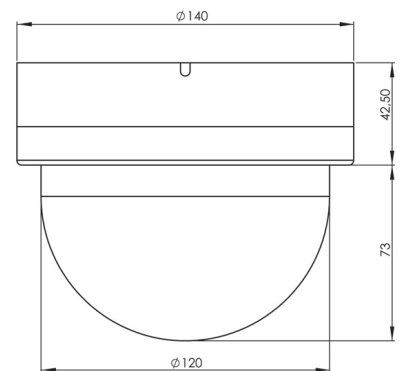
1) The use of IR corrected Day/Night lenses is recommended for IR lighting; Day lenses are only suitable for CasinoCam variants.

Variants	
200.401.8.001	DDF3 000A3-D PAL / Day / black / clear bubble / 12V DC HiRes vari-focal lens F1.2/ 2.9-10mm
200.401.8.002	DDF3 000A3-D PAL / Day / black / clear bubble / 12V DC HiRes vari-focal lens F1.5/ 9-22mm
200.401.8.007	DDF3 000A3-D PAL / Day / grey / clear bubble / 12V DC HiRes vari-focal lens F1.2/ 2.9-10mm
200.401.8.008	DDF3 000A3-D PAL / Day / grey / clear bubble / 12V DC HiRes vari-focal lens F1.5/ 9-22mm
200.401.8.009	DDF3 000A3-D PAL / Day / white / clear bubble / 12V DC HiRes vari-focal lens F1.2/ 2.9-10mm
200.401.8.010	DDF3 000A3-D PAL / Day / white / clear bubble / 12V DC HiRes vari-focal lens F1.5/ 9-22mm
200.401.8.017	DDF3 000A3-D PAL / Day / white / clear bubble / 12V DC and 24V AC HiRes vari-focal lens F1.2/ 2.9-10mm
200.401.8.100	DDF3 000A3-DN PAL / Day-Night / black / clear bubble / suitable for IR lighting / 12V DC, HiRes vari-focal lens F1.2/ 2.9-10mm
200.401.8.101	DDF3 000A3-DN PAL / Day-Night / black / clear bubble / suitable for IR lighting / 12V DC, HiRes vari-focal lens F1.5/ 9-22mm
200.401.8.106	DDF3 000A3-DN PAL / Day-Night / grey / clear bubble / suitable for IR lighting / 12V DC, HiRes vari-focal lens F1.2/ 2.9-10mm
200.401.8.107	DDF3 000A3-DN PAL / Day-Night / grey / clear bubble / suitable for IR lighting / 12V DC, HiRes vari-focal lens F1.5/ 9-22mm
200.401.8.108	DDF3 000A3-DN PAL / Day-Night / white / clear bubble / suitable for IR lighting / 12V DC, HiRes vari-focal lens F1.2/ 2.9-10mm
200.401.8.109	DDF3 000A3-DN PAL / Day-Night / white / clear bubble / suitable for IR lighting compatible / 12V DC, HiRes vari-focal lens F1.5/ 9-22mm
200.401.8.114	DDF3 000A3-DN PAL / Day-Night / white / clear bubble / suitable for IR lighting / 12V DC and 24V AC, HiRes vari-focal lens F1.2/ 2.9-10mm
200.401.8.200	DDF3 000A3-D CasinoCam PAL / Day / black / clear bubble / 12V DC HiRes vari-focal lens F1.2/ 2.9-10mm
200.401.8.201	DDF3 000A3-D CasinoCam PAL / Day / black / clear bubble / 12V DC and 24V AC HiRes vari-focal lens F1.2/ 2.9-10mm
200.401.8.202	DDF3 000A3-D CasinoCam PAL / Day / black / clear bubble / 12V DC HiRes vari-focal lens F1.5/ 9-22mm
200.401.8.203	DDF3 000A3-D CasinoCam PAL / Day / black / clear bubble / 12V DC and 24V AC HiRes vari-focal lens F1.5/ 9-22mm
200.401.8.204	DDF3 000A3-D CasinoCam PAL / Day / grey / clear bubble / 12V DC HiRes vari-focal lens F1.2/ 2.9-10mm
200.401.8.205	DDF3 000A3-D CasinoCam PAL / Day / grey / clear bubble / 12V DC and 24V AC HiRes vari-focal lens F1.2/ 2.9-10mm
200.401.8.206	DDF3 000A3-D CasinoCam PAL / Day / white / clear bubble / 12V DC HiRes vari-focal lens F1.2/ 2.9-10mm

Options	
200.401.1.01.01	Clear bubble for dome cameras
200.401.1.01.02	Tinted bubble, for dome cameras
200.401.2.09.01	Preview adapter cable, phone jack 3.5mm on BNC
200.433	Privacy Zone Box, for analogue cameras, More information can be found in our Partner Forum under "Documentations".
200.440	PicoRemote, UTC Remote Box for analogue Cam_inPIX® cameras, More information can be found in our Partner Forum under "Documentations".
100.041	Universal power pack 240V AC / 24V AC, removable adapter EU/UK/US/AUS
100.042	Universal power pack 110-240V AC / 12V DC, removable adapter EU/UK/US/AUS
200.511	DPU-240W Dallmeier Power Supply Unit, 24/28V AC for the supply of up to 20x cameras, More information can be found in our Partner Forum under "Documentations".
200.434.1.001	MicroStreamer-PoE, PAL / grey



[mm]



DF3000A-DN



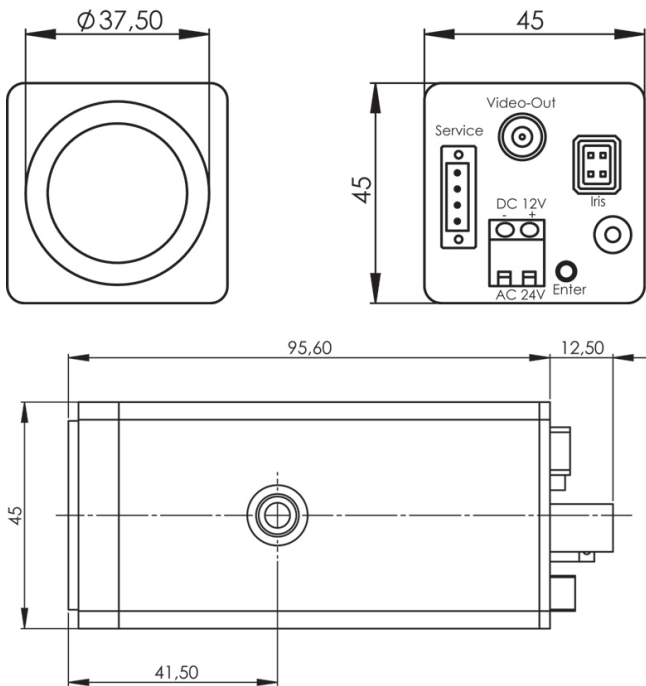
The DF3000A-DN is a HiRes UWDR Cam\_inPIX® colour box camera.

- Horizontal resolution: 540 TV lines
- 1/3" DPS\* sensor with Cam\_inPIX® technology
- Digital Pixel System\* chipset
- Pure 17-bit Digital Signal Processing
- High sensitivity for low-light images at Fo.95, 50IRE: 0.5 lux and (-DN) 0.2 lux
- Progressive image capture
- Progressive With Segmented Frames (PsF) image data transmission
- ICR function for Day/Night switching
- Advanced noise reduction
- Enhanced image quality by means of numerous control functions like AWB, AGC, BLC and extended slow shutter
- Configuration via UTC commands
- Power supply: 12V DC or 24V AC
- Standard version delivered without lens <sup>1)</sup>
- DIN EN 50130-4 compliant

1) The use of IR corrected Day/Night lenses is recommended for IR lighting; Day lenses are only suitable for CasinoCam variants.

Variants	
200.400.1.100	DF3000A-DN PAL / Day-Night / grey without lens
200.400.1.200	DF3000A-D CasinoCam PAL / Day / grey HiRes vari-focal lens Fo.95 / 2.8-8mm
200.400.1.202	DF3000A-D CasinoCam PAL / Day / grey HiRes vari-focal lens F1.5 / 15-50mm

Options	
200.400.999	Design colours: Depending on customer demand, housing colour available according to PAL or Pantone colour scale., For enquires please contact design@dallmeier.com
200.433	Privacy Zone Box, for analogue cameras, More information can be found in our Partner Forum under "Documentations".
200.440	PicoRemote, UTC Remote Box for analogue Cam_inPIX® cameras, More information can be found in our Partner Forum under "Documentations".
210.400.2	Fujinon Fo.95 / 2.8-8mm D, HiRes vari-focal lens / Day / not IR corrected
210.400.3	Fujinon F1.5 / 15-50mm DN, HiRes vari-focal lens / Day-Night / IR corrected
210.400.4	Fujinon Fo.95 / 2.9-8mm DN, HiRes vari-focal lens / Day-Night / IR corrected
100.041	Universal power pack 240V AC / 24V AC, removable adapter EU/UK/US/AUS
100.042	Universal power pack 110-240V AC / 12V DC, removable adapter EU/UK/US/AUS
200.511	DPU-240W Dallmeier Power Supply Unit, 24/28V AC for the supply of up to 20x cameras, More information can be found in our Partner Forum under "Documentations".
200.300.1.001	Weather-proof housing Sun with mounted box camera, Operational from normal to very high ambient temperatures, ranging from -20°C to +60°C; with mounted camera including fan, heater, sun shield and wall mount, Please note that camera must be ordered separately
200.300.2.001	Weather-proof housing Sun for box camera, Operational from normal to very high ambient temperatures, ranging from -20°C to +60°C; including fan, heater, sun shield and wall mount
200.301.1.001	Weather-proof housing Arctic with mounted box camera, Operational from very low temperatures of -55°C up to +45°C; with mounted camera including heater, sun shield, power supply unit and wall mount, Please note that camera must be ordered separately
200.301.2.001	Weather-proof housing Arctic for box camera, Operational from very low temperatures of -55°C up to +45°C; including heater, sun shield, power supply unit and wall mount
200.434.1.001	MicroStreamer-PoE, PAL / grey



[mm]



## DF3 000AS-DN



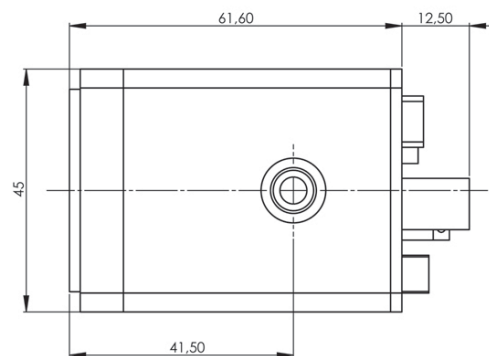
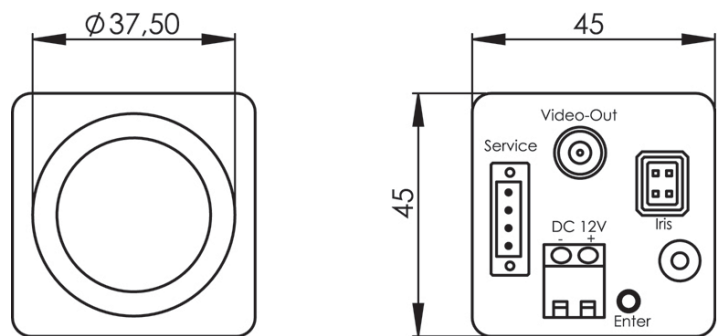
The DF3 000AS-DN is a HiRes UWDR Cam\_inPIX® colour box camera.

- Horizontal resolution: 540 TV lines
- 1/3" DPS\* sensor with Cam\_inPIX® technology
- Digital Pixel System\* chipset
- Pure 17-bit Digital Signal Processing
- High sensitivity for low-light images at Fo.95, 50IRE: 0.5 lux and (-DN) 0.2 lux
- Progressive image capture
- Progressive With Segmented Frames (PsF) image data transmission
- ICR function for Day/Night switching
- Advanced noise reduction
- Enhanced image quality by means of numerous control functions like AWB, AGC, BLC and extended slow shutter
- Configuration via UTC commands
- Practical small size
- Power supply: 12V DC
- Standard version delivered without lens <sup>1)</sup>
- DIN EN 50130-4 compliant

<sup>1)</sup> The use of IR corrected Day/Night lenses is recommended for IR lighting; Day lenses are only suitable for CasinoCam variants.

Variants	
200.400.2.100	DF3 000AS-DN PAL / Day-Night / grey without lens
200.400.2.200	DF3 000AS-D CasinoCam PAL / Day / grey HiRes vari-focal lens Fo.95/ 2.8-8mm
200.400.2.203	DF3 000AS-D CasinoCam PAL / Day / grey HiRes vari-focal lens F1.5/ 15-50mm
200.400.2.251	DF3 000AS-D Design CasinoCam PAL / Day / carbon effect high gloss finish HiRes vari-focal lens Fo.95/ 2.8-8mm
200.400.2.252	DF3 000AS-D Design CasinoCam PAL / Day / carbon effect high gloss finish HiRes vari-focal lens F1.5/ 15-50mm
200.400.2.253	DF3 000AS-D Design CasinoCam PAL / Day / dark walnut matt HiRes vari-focal lens Fo.95/ 2.8-8mm
200.400.2.254	DF3 000AS-D Design CasinoCam PAL / Day / dark walnut matt finish HiRes vari-focal lens F1.5/ 15-50mm
200.400.2.255	DF3 000AS-D Design CasinoCam PAL / Day / dark burl wood high gloss finish HiRes vari-focal lens Fo.95/ 2.8-8mm
200.400.2.256	DF3 000AS-D Design CasinoCam PAL / Day / dark burl wood high gloss finish HiRes vari-focal lens F1.5/ 15-50mm
200.400.2.257	DF3 000AS-D Design CasinoCam PAL / Day / bright burl wood high gloss finish HiRes vari-focal lens Fo.95/ 2.8-8mm
200.400.2.258	DF3 000AS-D Design CasinoCam PAL / Day / bright burl wood high gloss finish HiRes vari-focal lens F1.5/ 15-50mm
200.400.2.259	DF3 000AS-D Design CasinoCam PAL / Day / marble black/white high gloss finish HiRes vari-focal lens Fo.95/ 2.8-8mm
200.400.2.260	DF3 000AS-D Design CasinoCam PAL / Day / marble black/white high gloss finish HiRes vari-focal lens F1.5/ 15-50mm
200.400.2.300	DF3 000AS-DN DesignCam PAL / Day-Night / carbon effect high gloss finish without lens
200.400.2.301	DF3 000AS-DN DesignCam PAL / Day-Night / dark walnut matt finish without lens
200.400.2.302	DF3 000AS-DN DesignCam PAL / Day-Night / dark burl wood high gloss finish without lens
200.400.2.303	DF3 000AS-DN DesignCam PAL / Day-Night / bright burl wood high gloss finish without lens
200.400.2.304	DF3 000AS-DN DesignCam PAL / Day-Night / marble black/white high gloss finish without lens

Options	
200.400.999	Design colours: Depending on customer demand, housing colour available according to PAL or Pantone colour scale., For enquires please contact design@dallmeier.com
100.043	Voltage converter 24V AC on 12V DC
200.433	Privacy Zone Box, for analogue cameras, More information can be found in our Partner Forum under "Documentations".
200.440	PicoRemote, UTC Remote Box for analogue Cam_inPIX® cameras, More information can be found in our Partner Forum under "Documentations".
210.400.2	Fujinon Fo.95/ 2.8-8mm D, HiRes vari-focal lens / Day / not IR corrected
210.400.3	Fujinon F1.5/ 15-50mm DN, HiRes vari-focal lens / Day-Night / IR corrected
210.400.4	Fujinon Fo.95/ 2.9-8mm DN, HiRes vari-focal lens / Day-Night / IR corrected
100.042	Universal power pack 110-240V AC / 12V DC, removable adapter EU/UK/US/AUS
200.300.1.001	Weather-proof housing Sun with mounted box camera, Operational from normal to very high ambient temperatures, ranging from -20°C to +60°C; with mounted camera including fan, heater, sun shield and wall mount, Please note that camera must be ordered separately
200.300.2.001	Weather-proof housing Sun for box camera, Operational from normal to very high ambient temperatures, ranging from -20°C to +60°C, including fan, heater, sun shield and wall mount
200.301.1.001	Weather-proof housing Arctic with mounted box camera, Operational from very low temperatures of -55°C up to +45°C; with mounted camera including heater, sun shield, power supply unit and wall mount, Please note that camera must be ordered separately
200.301.2.001	Weather-proof housing Arctic for box camera, Operational from very low temperatures of -55°C up to +45°C; including heater, sun shield, power supply unit and wall mount
200.434.1.001	MicroStreamer-PoE, PAL / grey



[mm]

# DF3000AXS



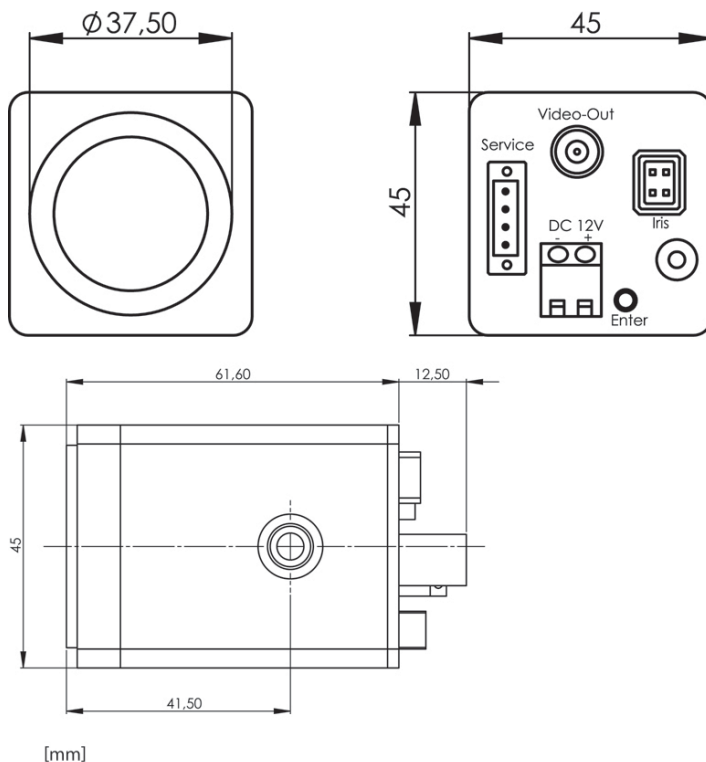
The DF3000AXS is a HiRes UWDR Cam\_inPIX® colour box camera.

- Horizontal resolution: 540 TV lines
- 1/3" DPS\* sensor with Cam\_inPIX® technology
- Digital Pixel System\* chipset
- 17-bit Digital Signal Processing
- High sensitivity at Fo.95, 50IRE: 0.5 lux
- Progressive image capture
- Progressive With Segmented Frames (PsF) image data transmission
- Electronic Day/Night switching <sup>1)</sup>
- Advanced noise reduction
- Enhanced image quality by means of numerous control functions like AWB, AGC, BLC and extended slow shutter
- Configuration via UTC commands
- Practical small size
- Power supply: 12V DC
- Standard version delivered without lens
- DIN EN 50130-4 compliant

1) The electronic Day/Night switching is not realised through a mechanically switchable IR cut filter. Therefore, there is no ICR function available and hence no IR sensitivity.

Variants	
200.400.7.100	DF3000AXS-DN PAL / electr. Day-Night / grey without lens

Options	
200.400.999	Design colours: Depending on customer demand, housing colour available according to PAL or Pantone colour scale., For enquires please contact design@dallmeier.com
100.043	Voltage converter 24V AC on 12V DC
200.433	Privacy Zone Box, for analogue cameras, More information can be found in our Partner Forum under "Documentations".
200.440	PicoRemote, UTC Remote Box for analogue Cam_inPIX® cameras, More information can be found in our Partner Forum under "Documentations".
210.400.2	Fujinon Fo.95 / 2.8-8mm D, HiRes vari-focal lens / Day / not IR corrected
210.400.3	Fujinon F1.5 / 15-50mm DN, HiRes vari-focal lens / Day-Night / IR corrected
210.400.4	Fujinon Fo.95 / 2.9-8mm DN, HiRes vari-focal lens / Day-Night / IR corrected
100.042	Universal power pack 110-240V AC / 12V DC, removable adapter EU/UK/US/AUS
200.300.1.001	Weather-proof housing Sun with mounted box camera, Operational from normal to very high ambient temperatures, ranging from -20°C to +60°C; with mounted camera including fan, heater, sun shield and wall mount, Please note that camera must be ordered separately
200.300.2.001	Weather-proof housing Sun for box camera, Operational from normal to very high ambient temperatures, ranging from -20°C to +60°C; including fan, heater, sun shield and wall mount
200.301.1.001	Weather-proof housing Arctic with mounted box camera, Operational from very low temperatures of -55°C up to +45°C; with mounted camera including heater, sun shield, power supply unit and wall mount, Please note that camera must be ordered separately
200.301.2.001	Weather-proof housing Arctic for box camera, Operational from very low temperatures of -55°C up to +45°C; including heater, sun shield, power supply unit and wall mount
200.434.1.001	MicroStreamer-PoE, PAL / grey



## MDF3 000A-CS-DN

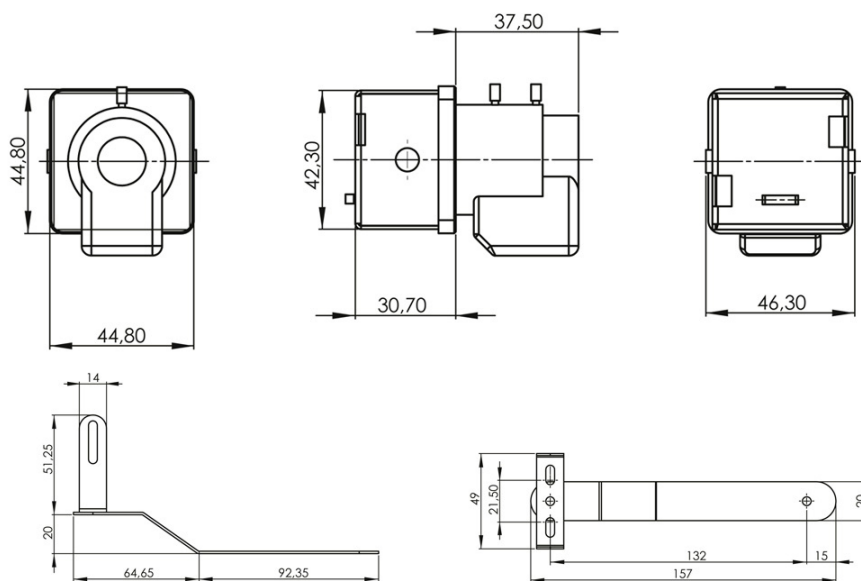


The MDF3 000A-CS-DN is a HiRes UWDR Cam\_inPIX® colour module camera.

- Horizontal resolution: 540 TV lines
- 1/3" DPS\* sensor with Cam\_inPIX® technology
- Digital Pixel System\* chipset
- Pure 17-bit Digital Signal Processing
- High sensitivity for low-light images at Fo.95, 50IRE: 0,5 lux and (-DN) 0.2 lux
- Progressive image capture
- Progressive With Segmented Frames (PsF) image data transmission
- ICR function for Day/Night switching
- Advanced noise reduction
- Enhanced image quality by means of numerous control functions like AWB, AGC, BLC and extended slow shutter
- HiRes vari-focal lens with Fo.95/ f=2.8-8mm
- Configuration via UTC commands
- Compact and lightweight camera housing
- Versatile and adjustable mounting device
- DIN EN 50130-4 compliant

Variants	
200.400.3.100	MDF3 000A-CS-DN PAL / Day-Night/ not suitable for IR lighting HiRes vari-focal lens Fo.95/ 2.8-8mm
200.400.3.101	MDF3 000A-CS-DN PAL / Day-Night/ suitable for IR lighting HiRes vari-focal lens Fo.95/ 2.9-8mm
200.400.3.200	MDF3 000A-CS-D CasinoCam PAL / Day HiRes vari-focal lens Fo.95/ 2.8-8mm

Options	
100.043	Voltage converter 24V AC on 12V DC
200.433	Privacy Zone Box, for analogue cameras, More information can be found in our Partner Forum under "Documentations".
200.440	PicoRemote, UTC Remote Box for analogue Cam_inPIX® cameras, More information can be found in our Partner Forum under "Documentations".
100.042	Universal power pack 110-240V AC / 12V DC, removable adapter EU/UK/US/AUS
200.434.1.001	MicroStreamer-PoE, PAL / grey



[mm]



## MDF3 000A-M

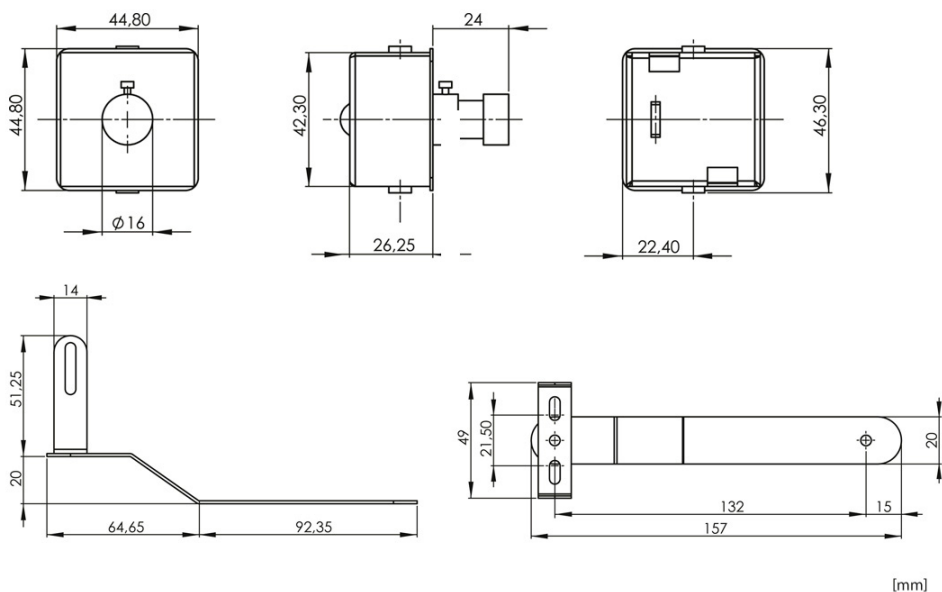


The MDF3 000A-M is a UWDR Cam\_inPIX® colour module camera.

- Horizontal resolution: 540 TV lines
- 1/3" DPS\* sensor with Cam\_inPIX® technology
- Digital Pixel System\* chipset
- Pure 17-bit Digital Signal Processing
- High sensitivity for low-light images at F1.4, 50IRE: 1.0 lux
- Progressive image capture
- Progressive With Segmented Frames (PsF) image data transmission
- Advanced noise reduction
- Enhanced image quality by means of numerous control functions like AWB, AGC, BLC and extended slow shutter
- Mono-focal lens with F1.4/ f=3.6mm
- IR cut lens coating
- Configuration via UTC commands
- Compact and lightweight camera housing
- Versatile and adjustable mounting device

Variants	
200.400.5.003	MDF3 000A-M-D PAL / Day HiRes mono-focal lens F2.5/ 2.3 mm
200.400.5.005	MDF3 000A-M-D PAL / Day mono-focal lens F1.4/ 3.6mm
200.400.5.006	MDF3 000A-M-D PAL / Day mono-focal lens F1.8/ 6mm
200.400.5.007	MDF3 000A-M-D PAL / Day mono-focal lens F2.0/ 8mm

Options	
100.043	Voltage converter 24V AC on 12V DC
200.433	Privacy Zone Box, for analogue cameras, More information can be found in our Partner Forum under "Documentations".
200.440	PicoRemote, UTC Remote Box for analogue Cam_inPIX® cameras, More information can be found in our Partner Forum under "Documentations".
100.042	Universal power pack 110-240V AC / 12V DC, removable adapter EU/UK/US/AUS
200.434.1.001	MicroStreamer-PoE, PAL / grey



## Camera accessories

### Design Demo Case



#### Design Demo Case

High-value sample collection of the Dallmeier DesignCams

Item number: 210.000

### Privacy Zone Box



#### Privacy Zone Box

For use with:  
MDF3 000A-CS, MDF3 000A-M, DF3 000A-DN, DF3 000AS-DN, DF3 000AXS, DDF3 000A4-DN, DDF3 000APV, DDF3 000AV4, MDF3 000A-CS CasinoCam, DF3 000A-D CasinoCam, DF3 000AS-D CasinoCam, DDF3 000A4-D CasinoCam, DDF3 000AV4 CasinoCam

Item number: 200.433

### PicoRemote Box



#### UTC-Remote-Box

For use with:  
MDF3 000A-CS, MDF3 000A-M, DF3 000A-DN, DF3 000AS-DN, DF3 000AXS, DDF3 000A4-DN, DDF3 000APV, DDF3 000AV4, MDF3 000A-CS CasinoCam, DF3 000A-D CasinoCam, DF3 000AS-D CasinoCam, DDF3 000A4-D CasinoCam, DDF3 000AV4 CasinoCam

Item number: 200.440

### Universal power pack



#### Universal power pack 110-240V AC / 12V DC

For use with:  
MDF3 000A-CS, MDF3 000A-M, DF3 000A-DN, DF3 000AS-DN, DF3 000AXS, DDF3 000A4-DN, DDF3 000APV, DDF3 000AV4, DDF3 000IPV-DN, MDF3 000A-CS CasinoCam, DF3 000A-D CasinoCam, DF3 000AS-D CasinoCam, DDF3 000A4-D CasinoCam, DDF3 000AV4 CasinoCam, DDF3 000IPV-D CasinoCam

Item number: 100.042

### Power Supply Unit



#### DPU-240W Dallmeier Power Supply Unit 240W for 20 cameras

For use with:  
DF3 000A-DN, DDF3 000A4-DN, DDF3 000AV4, DF3 000IP-PoE-DN, DDF3 000IPV-DN, DF3 000A-D CasinoCam, DDF3 000A4-D CasinoCam, DDF3 000AV4 CasinoCam, DF3 000IP-PoE-D CasinoCam, DDF3 000IPV-D CasinoCam

Item number: 200.511

### Power Inserter



#### Power Inserter for the voltage supply of UTP ready cameras via DIS-2/M UTP modules

For use with:  
DF3 000A-DN, DDF3 000A4-DN, DDF3 000AV4, DF3 000IP-PoE-DN, DDF3 000IPV-DN, DF3 000A-D CasinoCam, DDF3 000A4-D CasinoCam, DDF3 000AV4 CasinoCam, DF3 000IP-PoE-D CasinoCam, DDF3 000IPV-D CasinoCam

Item number: 200.515

### Voltage converter



#### Voltage converter 24V AC on 12V DC

For use with:  
MDF3 000A-CS, MDF3 000A-M, DF3 000AS-DN, DF3 000AXS, DDF3 000APV, MDF3 000A-CS CasinoCam, DF3 000AS-D CasinoCam

Item number: 100.043

### Preview adapter cable



#### Preview adapter cable 2.5/3.5 mm phone jack on BNC

For use with:  
DF3 000IP-PoE-DN, DF3 000IP-PoE-D CasinoCam

Item number: 200.402.2.09.01

For use with:  
DDF3 000A4-DN, DDF3 000AV4-DN, DDF3 000A4-D CasinoCam, DDF3 000AV4-D CasinoCam

Item number: 200.401.2.09.01

### Tinted bubble



#### Tinted bubble

For use with:  
DDF3 000A4-DN, DDF3 000AV4-DN, DDF3 000IPV-DN, DDF3 000A4-D CasinoCam, DDF3 000AV4-D CasinoCam, DDF3 000IPV-DN CasinoCam

Item number: on request

### Angular adapter



Angular adapter for surface mount variants, 15° adapter ring, angle of view with wall/ceiling mounting of 90°, lateral flash routing, screw connection at flush-mounted sockets according to DIN 49073

For use with:  
DDF3 000APV  
DDF3 000A4-DN, DDF3 000A4-D CasinoCam

Item number: 200.401.17.05.11  
Item number: 200.404.01.05.11

### Mounting ring



Mounting ring for surface mount variants with lateral cable routing and screw connection at flush-mounted sockets according to DIN 49073

For use with:  
DDF3 000APV  
DDF3 000A4-DN, DDF3 000A4-D CasinoCam

Item number: 200.401.17.05.03  
Item number: 200.404.01.05.03

### Universal power pack



#### Universal power pack 240V AC / 24V AC

For use with:  
DF3 000A-DN, DDF3 000A4-DN, DDF3 000AV4, DF3 000IP-PoE-DN, DDF3 000IPV-DN, DF3 000A-D CasinoCam, DDF3 000A4-D CasinoCam, DDF3 000AV4 CasinoCam, DF3 000IP-PoE-D CasinoCam, DDF3 000IPV-D CasinoCam

Item number: 100.041

Weather-proof housing Sun for box camera



Weather-proof housing Sun for box camera  
Operational from normal to very high ambient temperatures, ranging from -20°C to +60°C; including fan, heater, sun shield and wall mount

For use with:  
DF3 000A-DN, DF3 000AS-DN, DF3 000AXS

Item number: 200.300.1.001 (with mounted camera)  
Item number: 200.300.2.001

Weather-proof housing Arctic for box camera



Weather-proof housing Arctic for box camera  
Operational from very low temperatures of -55°C up to +45°C; including heater, sun shield, power supply unit and wall mount

For use with:  
DF3 000A-DN, DF3 000AS-DN, DF3 000AXS, DF3 000P-PoE-DN

Item number: 200.301.1.001 (with mounted camera)  
Item number: 200.301.2.001

Pole bracket



Pole bracket for weather-proof housing for box cameras

For use with:  
DF3 000A-DN, DF3 000AS-DN, DF3 000AXS, DF3 000P-PoE-DN

Item number: 200.400.1.53.01  
only in connection with:  
item number: 200.300.(1.001/2.001)  
or  
item number: 200.301.(1.001/2.001)

Corner bracket



Corner bracket for weather-proof housing for box camera

For use with:  
DF3 000A-DN, DF3 000AS-DN, DF3 000AXS, DF3 000P-PoE-DN

## Lenses

### Fo.95/2.8-8mm -D- (Fujinon)



Can be ordered for the following camera models:  
DF3 000A-DN  
DF3 000AS-DN  
DF3 000AXS  
DF3 000P-PoE-DN

Format: 1/3"  
Mount: CS  
Type of lens: Vari focal  
Principle of construction: Aspherical  
Zoom operation: Manual  
Focus operation: Manual  
Iris drive: DC auto iris

Iris range/ Focal length range: Fo.95/ 2,8 - 8 mm

Horizontal angle of view: Approx. 99° - 35°

Item number:  
210.400.2

### Fo.95/2.9-8mm -D/N- (Fujinon)



Can be ordered for the following camera models:  
DF3 000A-DN  
DF3 000AS-DN  
DF3 000AXS  
DF3 000P-PoE-DN

Format: 1/3"  
Mount: CS  
Type of lens: Vari focal  
Principle of construction: Aspherical  
Zoom operation: Manual  
Focus operation: Manual  
Iris drive: DC auto iris

Iris range/ Focal length range: Fo.95/ 2,9 - 8 mm

Horizontal angle of view: Approx. 94° - 35°

Item number:  
210.400.4

### F1.5/15-50mm -D/N- (Fujinon)



Can be ordered for the following camera models:  
DF3 000A-DN  
DF3 000AS-DN  
DF3 000AXS  
DF3 000P-PoE-DN

Format: 1/3"  
Mount: CS  
Type of lens: Vari focal  
Principle of construction: Aspherical  
Zoom operation: Manual  
Focus operation: Manual  
Iris drive: DC auto iris

Iris range/ Focal length range: F1.5/ 15 - 50 mm

Horizontal angle of view: Approx. 18° - 5°

Item number:  
210.400.3

## PTZ and Domera® accessories

### Tinted bubble



Tinted bubble

For use with:  
DDZ3 018A-DN, DDZ3 026A(-DN)

Item number: 200.401.7.01.02

### Tinted bubble



Tinted bubble for DOMERA®

For use with:  
DDZ3 0XX-IM/HS/(-A/-IP),  
DDZ3 0XX-IM/RP/(-A/-IP) and  
DDZ3 0IM/(-A/-IP)

Item number: 200.401.7.01.01

### In-ceiling mount kit



In-ceiling mount kit

For use with:  
DDZ3 018A-DN, DDZ3 026A-DN

Item number: 200.401.4.20.02

### Wall mount bracket



Wall mount bracket for weather proof housing

For use with:  
DDZ3 018A-DN, DDZ3 026A-DN,  
DDZ3 0XX-WM/HS/(-A/-IP) and  
DDZ3 0XX-WM/RP/(-A/-IP)

For DDZ3 018A-DN and DDZ3 026A-DN only  
in connection with:  
Item number: 200.401.4.50.12,  
200.401.4.55.02

### Wall mount bracket



Wall mount bracket (black, white)

For use with:  
DDZ3 018A-DN and DDZ3 026A-DN

For use with:  
DDZ3 0XX-SM/HS/(-A/-IP) and  
DDZ3 0XX-SM/RP/(-A/-IP)

Item number: 200.622

### Ceiling mount bracket



Ceiling mount bracket for weather-proof housing

For use with:  
DDZ3 0XX-WM/HS/(-A/-IP) and  
DDZ3 0XX-WM/RP/(-A/-IP)

For use with:  
DDZ3 018A-DN, DDZ3 026A-DN

Item number: 200.401.4.51.02  
Only in connection with:  
Item number: 200.401.4.50.12

### Sun shield



Sun shield for weather-proof housing

For use with:  
DDZ3 018A-DN, DDZ3 026A-DN

Item number: 200.401.4.55.02  
Only in connection with:  
Item number: 200.401.4.50.12

### Weather-proof housing



Weather-proof housing -IP67- with fan/  
heater

For use with:  
DDZ3 018A-DN, DDZ3 026A-DN

Item number: 200.401.4.50.12

### Pole bracket



Pole bracket

For use with:  
DDZ3 018A-DN, DDZ3 026A-DN,  
DDZ3 0XX-WM/HS/(-A/-IP) and  
DDZ3 0XX-WM/RP/(-A/-IP)

Item number: 200.401.4.54.02  
Only in connection with:  
Item number: 200.401.4.52.02

### Corner bracket



Corner bracket

For use with:  
DDZ3 018A-DN, DDZ3 026A-DN,  
DDZ3 0XX-WM/HS/(-A/-IP) and  
DDZ3 0XX-WM/RP/(-A/-IP)

Item number: 200.401.4.53.02  
Only in connection with:  
Item number: 200.401.4.52.02

### Power Supply Unit



DPU-480W Dallmeier Power Supply Unit  
480W for 20 cameras

For use with:  
DDZ3 018A-DN, DDZ3 026A-DN,  
DDZ3 0XX-YY/HS/(-A/-IP) and  
DDZ3 0XX-YY/RP/(-A/-IP)

Item number: 200.510

### Power Inserter



Power Inserter for the voltage supply of  
UTP ready cameras via DIS-2/M UTP  
modules

For use with:  
DDZ3 0XX-YY/HS/A and DDZ3 0XX-YY/RP/A

Item number: 200.515  
Only in connection with:  
Item number: 200.510

DDZ3 oIM-A



Analogue BackBox for DOMERA®

For use with:  
DDZ3 018-IM/(-HS/-RP),  
DDZ3 026-IM/(-HS/-RP),  
DDZ3 036-IM/(-HS/-RP)

Item number: 200.442

DDZ3 oSM-A



Analogue BackPlate for DOMERA®

For use with:  
DDZ3 018-SM/(-HS/-RP),  
DDZ3 026-SM/(-HS/-RP),  
DDZ3 036-SM/(-HS/-RP)

Item number: 200.448

DDZ3 oWM-A



Analogue weather-proof housing for DOMERA®

For use with:  
DDZ3 018-SM/(-HS/-RP),  
DDZ3 026-SM/(-HS/-RP),  
DDZ3 036-SM/(-HS/-RP)

Item number: 200.450.007

DDZ3 oIM-IP



IP BackBox for DOMERA®

For use with:  
DDZ3 018-IM/(-HS/-RP),  
DDZ3 026-IM/(-HS/-RP),  
DDZ3 036-IM/(-HS/-RP)

Item number: 200.441

DDZ3 oSM-IP



IP BackPlate for DOMERA®

For use with:  
DDZ3 018-SM/(-HS/-RP),  
DDZ3 026-SM/(-HS/-RP),  
DDZ3 036-SM/(-HS/-RP)

Item number: 200.449

DDZ3 oWM-IP



IP weather-proof housing for DOMERA®

For use with:  
DDZ3 018-SM/(-HS/-RP),  
DDZ3 026-SM/(-HS/-RP),  
DDZ3 036-SM/(-HS/-RP)

Item number: 200.450.001

DDZ3 oXX-YY/HS



High-Speed PTZ dome camera without I/O interface for DOMERA®

DDZ3 oXX-SM/HS for use with:  
DDZ3 0SM(-A/-IP) and DDZ3 oWM(-A/-IP)

DDZ3 oXX-IM/HS for use with:  
DDZ3 oIM(-A/-IP)

Item number: 200.447.1  
Item number: 200.447.2

DDZ3 018-YY/RP



Remote-Positioning PTZ dome camera without I/O interface for DOMERA®

For use with:  
DDZ3 018A-DN, DDZ3 026A-DN,  
DDZ3 036A-DN, DDZ3 032A

Item number: 200.445.18.1  
Item number: 200.445.18.2

A more detailed description of the individual components of the DOMERA® series can be found on the following pages.

# DDZ3 oIM-A



**DOMERA**  
Components

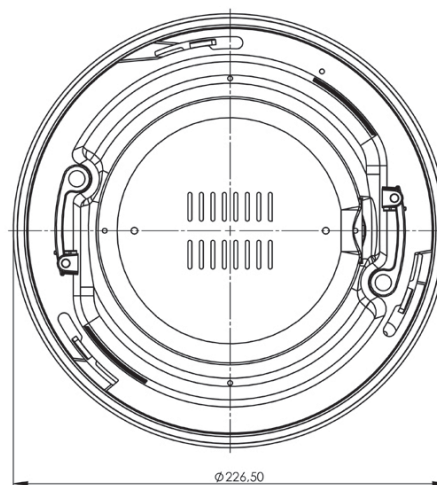
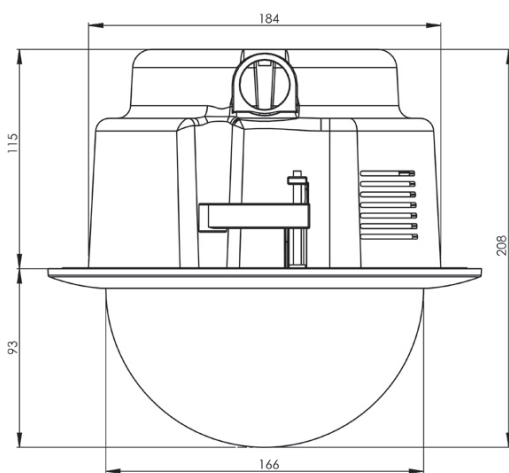


The analogue BackBox DDZ3 oIM-A is a device for the in-ceiling mounting of the DOMERA® series of PTZ dome cameras.

- Integrated analogue I/O interface
- Compatible with the following High-Speed PTZ dome cameras: DDZ3 o18-IM/(-HS/-RP), DDZ3 o26-IM/(-HS/-RP) und DDZ3 o3 6-IM/(-HS/-RP)
- Integrated UTP output
- Voltage supply: 24/28V AC
- Including clear bubble
- Quick and easy installation
- DIN EN 50130-4 compliant

Variants	
200.442	DDZ3 oIM-A analogue BackBox / in-ceiling mount variant / white cover ring / clear bubble

Options	
200.441.999	Design colours: Depending on customer demand, housing colour available according to PAL or Pantone colour scale / for in-ceiling mount variants., For enquires please contact design@dallmeier.com
200.620	Tinted bubble, for PTZ dome cameras / in-ceiling mount variant / white cover ring
200.630	Tinted bubble, for PTZ dome cameras / in-ceiling mount variant / black cover ring
129.303	VSC-1 (Video System Controller), for the control of cameras at the recorder
200.515	Power Inserter, for the voltage supply of UTP ready cameras via DIS-2/M UTP modules (only in combination with DPU-240W or DPU-480W)
200.510	DPU-480W Dallmeier Power Supply Unit, 24/28V AC for the supply of up to 20x cameras, More information can be found in our Partner Forum under "Documentations".
200.447.18.2.100	DDZ3 o18-IM/HS, PAL / 480 TVL / Day-Night / 18x optical zoom / black / high-speed / in-ceiling mount variant
200.447.26.2.100	DDZ3 o26-IM/HS, PAL / 480 TVL / Day-Night / 26x optical zoom / black / high-speed / in-ceiling mount variant
200.447.3 6.2.100	DDZ3 o3 6-IM/HS, PAL / 480 TVL / Day-Night / 3 6x optical zoom / black / high-speed / in-ceiling mount variant
200.448.18.2.100	DDZ3 o18-IM/HS, PAL / 530 TVL / Day-Night / 18x optical zoom / black / high-speed / in-ceiling mount variant
200.448.26.2.100	DDZ3 o26-IM/HS, PAL / 530 TVL / Day-Night / 26x optical zoom / black / high-speed / in-ceiling mount variant
200.448.3 6.2.100	DDZ3 o3 6-IM/HS, PAL / 530 TVL / Day-Night / 3 6x optical zoom / black / high-speed / in-ceiling mount variant



[mm]



## DDZ3 oIM-IP



**DOMERA®**  
Components

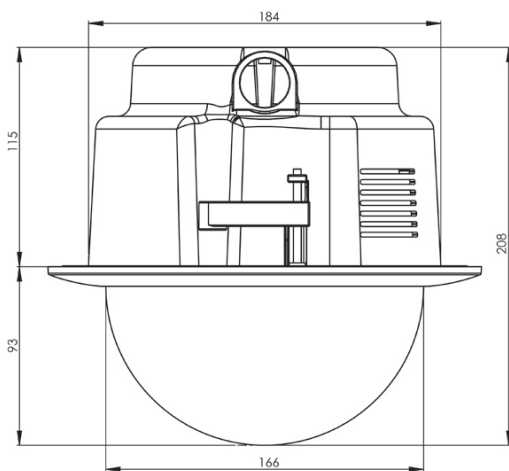


The IP BackBox DDZ3 oIM-IP is a device for the in-ceiling mounting of the DOMERA® series of PTZ dome cameras.

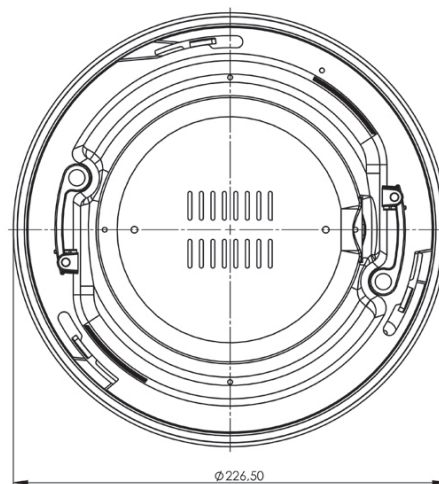
- Integrated IP I/O interface
- Compatible with the following high-speed PTZ dome cameras: DDZ3 o18-IM/(-HS/-RP), DDZ3 o26-IM/(-HS/-RP) and DDZ3 o36-IM/(-HS/-RP)
- Hybrid IP I/O interface with analogue preview output
- Video compression: MPEG-2/-4, MJPEG, H.264 <sup>1)</sup>
- Resolution up to D1 and frame rate up to 25 fps at all resolutions
- Integrated motion detection with selectable sensitivity
- Alarm message via email and FTP image upload
- Easy and quick mounting
- DIN EN 50130-4 compliant

1) In development

Variants		Options	
200.441	DDZ3 oIM-IP IP BackBox / in-ceiling mount variant / white cover ring / clear bubble	200.441.999	Design colours: Depending on customer demand, housing colour available according to PAL or Pantone colour scale / for in-ceiling mount variants. For enquires please contact design@dallmeier.com
		200.620	Tinted bubble, for PTZ dome cameras / in-ceiling mount variant / white cover ring
		200.630	Tinted bubble, for PTZ dome cameras / in-ceiling mount variant / black cover ring
		200.510	DPU-480W Dallmeier Power Supply Unit, 24/28V AC for the supply of up to 20x cameras, More information can be found in our Partner Forum under "Documentations".
		200.447.18.2.100	DDZ3 o18-IM/HS, PAL / 480 TVL / Day-Night / 18x optical zoom / black / high-speed / in-ceiling mount variant
		200.447.26.2.100	DDZ3 o26-IM/HS, PAL / 480 TVL / Day-Night / 26x optical zoom / black / high-speed / in-ceiling mount variant
		200.447.36.2.100	DDZ3 o36-IM/HS, PAL / 480 TVL / Day-Night / 36x optical zoom / black / high-speed / in-ceiling mount variant
		200.448.18.2.100	DDZ3 o18-IM/HS, PAL / 530 TVL / Day-Night / 18x optical zoom / black / high-speed / in-ceiling mount variant
		200.448.26.2.100	DDZ3 o26-IM/HS, PAL / 530 TVL / Day-Night / 26x optical zoom / black / high-speed / in-ceiling mount variant
		200.448.36.2.100	DDZ3 o36-IM/HS, PAL / 530 TVL / Day-Night / 36x optical zoom / black / high-speed / in-ceiling mount variant



[mm]



# DDZ3 oSM-A



**DOMERA®**  
Components

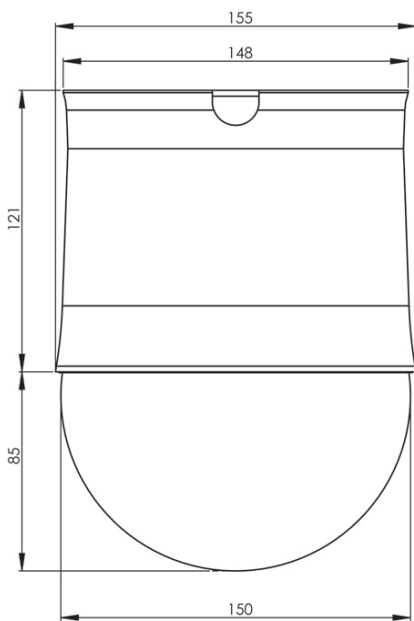


The analogue BackPlate DDZ3 oSM-A is a device for the surface mounting of the DOMERA® series of PTZ dome cameras.

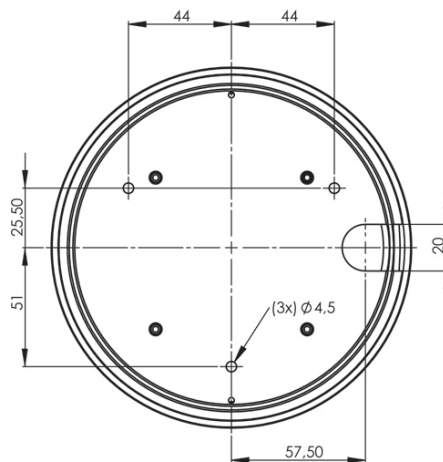
- Integrated analogue I/O interface
- Compatible with the following high-speed PTZ dome cameras: DDZ3 018-SM/(-HS/-RP), DDZ3 026-SM/(-HS/-RP) and DDZ3 036-SM/(-HS/-RP)
- Integrated UTP output
- Power supply: 24/28V AC
- Including clear bubble
- Quick and easy installation
- DIN EN 50130-4 compliant

Variants	
200.448	DDZ3 oSM-A analogue BackPlate / surface mount variant / black / clear bubble

Options	
200.622	Wall mount bracket, for PTZ domes surface mount variant / black
129.303	VSC-1 (Video System Controller), for the control of cameras at the recorder
200.515	Power inserter, for the voltage supply of UTP ready cameras via DIS-2/M UTP modules (only in combination with DPU-240W or DPU-480W)
200.510	DPU-480W Dallmeier Power Supply Unit, 24/28V AC for the supply of up to 20x cameras, More information can be found in our Partner Forum under "Documentations".
200.447.18.1.100	DDZ3 018-SM/HS, PAL / 480 TVL / Day-Night / 18x optical zoom / black / high-speed / surface mount variant
200.447.26.1.100	DDZ3 026-SM/HS, PAL / 480 TVL / Day-Night / 26x optical zoom / black / high-speed / surface mount variant
200.447.36.1.100	DDZ3 036-SM/HS, PAL / 480 TVL / Day-Night / 36x optical zoom / black / high-speed / surface mount variant
200.448.18.1.100	DDZ3 018-SM/HS, PAL / 530 TVL / Day-Night / 18x optical zoom / black / high-speed / surface mount variant
200.448.26.1.100	DDZ3 026-SM/HS, PAL / 530 TVL / Day-Night / 26x optical zoom / black / high-speed / surface mount variant
200.448.36.1.100	DDZ3 036-SM/HS, PAL / 530 TVL / Day-Night / 36x optical zoom / black / high-speed / surface mount variant



[mm]



## DDZ3 oSM-IP



**DOMERA®**  
Components



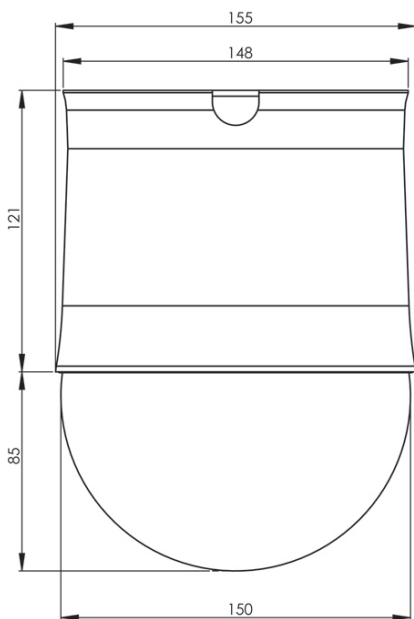
The IP BackPlate DDZ3 oSM-IP is a device for the surface mounting of the DOMERA® series of PTZ dome cameras.

- Integrated IP I/O interface
- Compatible with the following high-speed PTZ dome cameras: DDZ3018-SM/(-HS/-RP), DDZ3026-SM/(-HS/-RP) and DDZ3036-SM/(-HS/-RP)
- Hybrid IP I/O interface with analogue preview output
- Video compression: MPEG-2/-4, MJPEG, H.264 <sup>1)</sup>
- Resolution up to D1 and frame rate up to 25 fps at all resolutions
- Integrated motion detection with selectable sensitivity
- Alarm message via email and FTP image upload
- Power supply: 24/28V AC
- Including clear bubble
- Easy and quick mounting
- DIN EN 50130-4 compliant

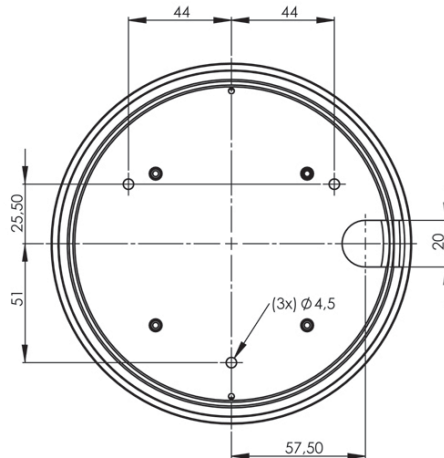
1) In development

Variants	
200.449	DDZ3 oSM-IP IP BackPlate / surface mount variant / black / clear bubble

Options	
200.622	Wall mount bracket, for PTZ domes surface mount variant / black
200.510	DPU-480W Dallmeier Power Supply Unit, 24/28V AC for the supply of up to 20x cameras, More information can be found in our Partner Forum under "Documentations".
200.447.18.1.100	DDZ3018-SM/HS, PAL / 480 TVL / Day-Night / 18x optical zoom / black / high-speed / surface mount variant
200.447.26.1.100	DDZ3026-SM/HS, PAL / 480 TVL / Day-Night / 26x optical zoom / black / high-speed / surface mount variant
200.447.36.1.100	DDZ3036-SM/HS, PAL / 480 TVL / Day-Night / 36x optical zoom / black / high-speed / surface mount variant
200.448.18.1.100	DDZ3018-SM/HS, PAL / 530 TVL / Day-Night / 18x optical zoom / black / high-speed / surface mount variant
200.448.26.1.100	DDZ3026-SM/HS, PAL / 530 TVL / Day-Night / 26x optical zoom / black / high-speed / surface mount variant
200.448.36.1.100	DDZ3036-SM/HS, PAL / 530 TVL / Day-Night / 36x optical zoom / black / high-speed / surface mount variant



[mm]



## DDZ3 oWM-A



**DOMERA®**  
Components

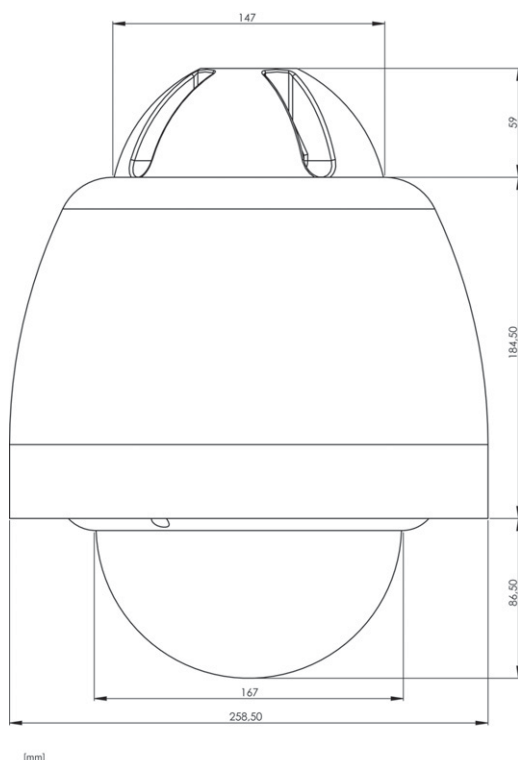


The DDZ3 oWM-A is an analogue weather-proof housing for the PTZ dome system DOMERA®.

- Integrated analogue I/O interface
- Compatible with the following high-speed PTZ dome cameras: DDZ3 018-SM/(-HS/-RP), DDZ3 026-SM/(-HS/-RP) and DDZ3 036-SM/(-HS/-RP)
- Integrated fan, heater and sun shield
- Integrated UTP output
- Max. power consumption 64 W
- Power supply: 24/28V AC
- Including clear bubble
- Quick and easy installation
- DIN EN 50130-4 compliant

Variants	
200.450.007	DDZ3 oWM-A analogue weather-proof housing / white / clear bubble

Options	
200.401.4.51.02	Ceiling mount bracket, for weather-proof housing / white
200.401.4.52.02	Wall mount bracket, for weather-proof housing / white
200.401.4.53.02	Corner bracket, for wall mount bracket for weather-proof housing / white
200.401.4.54.02	Pole bracket, for wall mount bracket for weather-proof housing / white
129.303	VSC-1 (Video System Controller), for the control of cameras at the recorder
200.447.18.1.100	DDZ3 018-SM/HS, PAL / 480 TVL / Day-Night / 18x optical zoom / black / high-speed / surface mount variant
200.447.26.1.100	DDZ3 026-SM/HS, PAL / 480 TVL / Day-Night / 26x optical zoom / black / high-speed / surface mount variant
200.447.36.1.100	DDZ3 036-SM/HS, PAL / 480 TVL / Day-Night / 36x optical zoom / black / high-speed / surface mount variant
200.448.18.1.100	DDZ3 018-SM/HS, PAL / 530 TVL / Day-Night / 18x optical zoom / black / high-speed / surface mount variant
200.448.26.1.100	DDZ3 026-SM/HS, PAL / 530 TVL / Day-Night / 26x optical zoom / black / high-speed / surface mount variant
200.448.36.1.100	DDZ3 036-SM/HS, PAL / 530 TVL / Day-Night / 36x optical zoom / black / high-speed / surface mount variant



# DDZ3 oWM-IP



**DOMERA®**  
Components



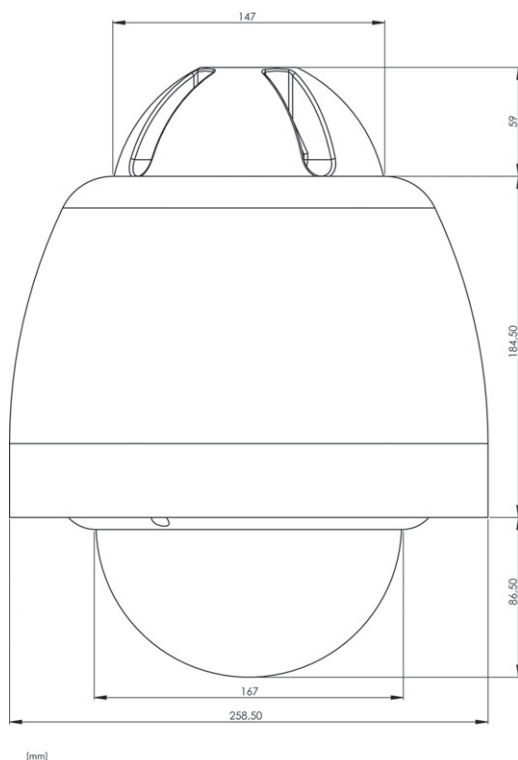
The DDZ3 oWM-IP is an IP based weather-proof housing for the PTZ dome system DOMERA®.

- Compatible with the following high-speed PTZ dome cameras: DDZ3 018-SM/(-HS/-RP), DDZ3 026-SM/(-HS/-RP) and DDZ3 036-SM/(-HS/-RP)
- Hybrid IP I/O interface with analogue preview output
- Video compression: MPEG-2/-4, MJPEG, H.264 <sup>1)</sup>
- Resolution up to D1 and frame rate up to 25 fps at all resolutions
- Integrated motion detection with selectable sensitivity
- Alarm message via email and FTP image upload
- Integrated fan, heater and sun shield
- Max. power consumption: 64 W
- Power supply: 24/28V AC
- Easy and quick mounting
- DIN EN 50130-4 compliant

1) In development

Variants	
200.450.001	DDZ3 oWM-IP IP weather-proof housing / white / clear bubble

Options	
200.401.4.51.02	Ceiling mount bracket, for weather-proof housing / white
200.401.4.52.02	Wall mount bracket, for weather-proof housing / white
200.401.4.53.02	Corner bracket, for wall mount bracket for weather-proof housing / white
200.401.4.54.02	Pole bracket, for wall mount bracket for weather-proof housing / white
200.447.18.1.100	DDZ3 018-SM/HS, PAL / 480 TVL / Day-Night / 18x optical zoom / black / high-speed / surface mount variant
200.447.26.1.100	DDZ3 026-SM/HS, PAL / 480 TVL / Day-Night / 26x optical zoom / black / high-speed / surface mount variant
200.447.36.1.100	DDZ3 036-SM/HS, PAL / 480 TVL / Day-Night / 36x optical zoom / black / high-speed / surface mount variant
200.448.18.1.100	DDZ3 018-SM/HS, PAL / 530 TVL / Day-Night / 18x optical zoom / black / high-speed / surface mount variant
200.448.26.1.100	DDZ3 026-SM/HS, PAL / 530 TVL / Day-Night / 26x optical zoom / black / high-speed / surface mount variant
200.448.36.1.100	DDZ3 036-SM/HS, PAL / 530 TVL / Day-Night / 36x optical zoom / black / high-speed / surface mount variant



DDZ3 oXX-YY/HS

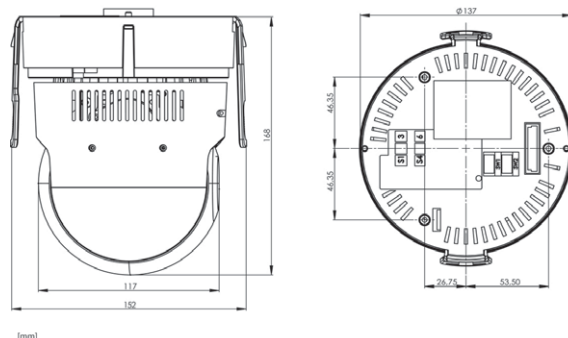
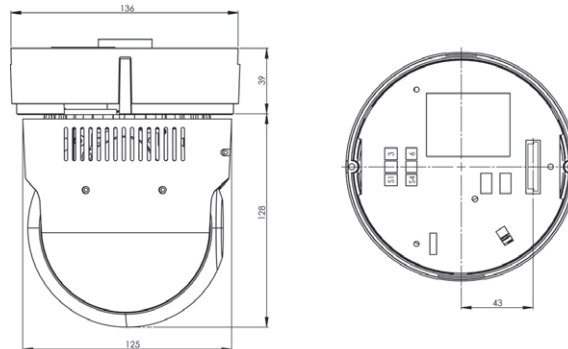


The DDZ3 oXX-YY/HS is a HiRes Wide Dynamic Range high-speed PTZ colour dome camera for the DOMERA® series.

- Horizontal resolution: up to 530 TV lines
- 1/4" EXview HAD CCD\* image sensor
- Pure Digital Signal Processing
- Three WDR high-speed PTZ domes with 18x / 26x / 36x optical zoom are available
- Additional 12x digital zoom
- High sensitivity for low-light images
- ICR function for Day/Night switching
- Enhanced image quality by means of numerous control functions like AWB, AGC, BLC and slow shutter
- Autofocus with manual override
- High-performance Pan/Tilt/Zoom mechanism
- 248 programmable preset positions, 16 programmable tours
- Motion detection integrated
- DDZ3 oXX-SM/HS is compatible with the following mounting devices: DDZ3 oSM-A, DDZ3 oSM-IP, DDZ3 oWM-A, DDZ3 oWM-IP
- DDZ3 oXX-IM/HS is compatible with the following mounting devices: DDZ3 oIM-A, DDZ3 oIM-IP
- Power supply: 24/28V AC
- Easy and quick installation
- DIN EN 50130-4 compliant

Variants	
200.447.18.1.100	DDZ3 o18-SM/HS PAL / 480 TVL / Day-Night / 18x optical zoom / black / high-speed / surface mount variant
200.447.18.2.100	DDZ3 o18-IM/HS PAL / 480 TVL / Day-Night / 18x optical zoom / black / high-speed / in-ceiling mount variant
200.447.26.1.100	DDZ3 o26-SM/HS PAL / 480 TVL / Day-Night / 26x optical zoom / black / high-speed / surface mount variant
200.447.26.2.100	DDZ3 o26-IM/HS PAL / 480 TVL / Day-Night / 26x optical zoom / black / high-speed / in-ceiling mount variant
200.447.36.1.100	DDZ3 o36-SM/HS PAL / 480 TVL / Day-Night / 36x optical zoom / black / high-speed / surface mount variant
200.447.36.2.100	DDZ3 o36-IM/HS PAL / 480 TVL / Day-Night / 36x optical zoom / black / high-speed / in-ceiling mount variant
200.448.18.1.100	DDZ3 o18-SM/HS PAL / 530 TVL / Day-Night / 18x optical zoom / black / high-speed / surface mount variant
200.448.18.2.100	DDZ3 o18-IM/HS PAL / 530 TVL / Day-Night / 18x optical zoom / black / high-speed / in-ceiling mount variant
200.448.26.1.100	DDZ3 o26-SM/HS PAL / 530 TVL / Day-Night / 26x optical zoom / black / high-speed / surface mount variant
200.448.26.2.100	DDZ3 o26-IM/HS PAL / 530 TVL / Day-Night / 26x optical zoom / black / high-speed / in-ceiling mount variant
200.448.36.1.100	DDZ3 o36-SM/HS PAL / 530 TVL / Day-Night / 36x optical zoom / black / high-speed / surface mount variant
200.448.36.2.100	DDZ3 o36-IM/HS PAL / 530 TVL / Day-Night / 36x optical zoom / black / high-speed / in-ceiling mount variant

Options	
200.441.999	Design colours: Depending on customer demand, housing colour available according to PAL or Pantone colour scale / for in-ceiling mount variants, For enquiries please contact design@dallmeier.com
129.303	VSC-1 (Video System Controller), for the control of cameras at the recorder
200.510	DPU-480W Dallmeier Power Supply Unit, 24/28V AC for the supply of up to 20x cameras, More information can be found in our Partner Forum under "Documentations".
200.441	DDZ3 oIM-IP, IP BackBox / in-ceiling mount variant / white cover ring / clear bubble
200.442	DDZ3 oIM-A, analogue BackBox / in-ceiling mount variant / white cover ring / clear bubble
200.448	DDZ3 oSM-A, analogue BackPlate / surface mount variant / black / clear bubble
200.449	DDZ3 oSM-IP, IP BackPlate / surface mount variant / black / clear bubble
200.450.001	DDZ3 oWM-IP, IP weather-proof housing / white / clear bubble
200.450.007	DDZ3 oWM-A, analogue weather-proof housing / white / clear bubble



[mm]



# DDZ3 018-YY/RP



**DOMERA**  
Components

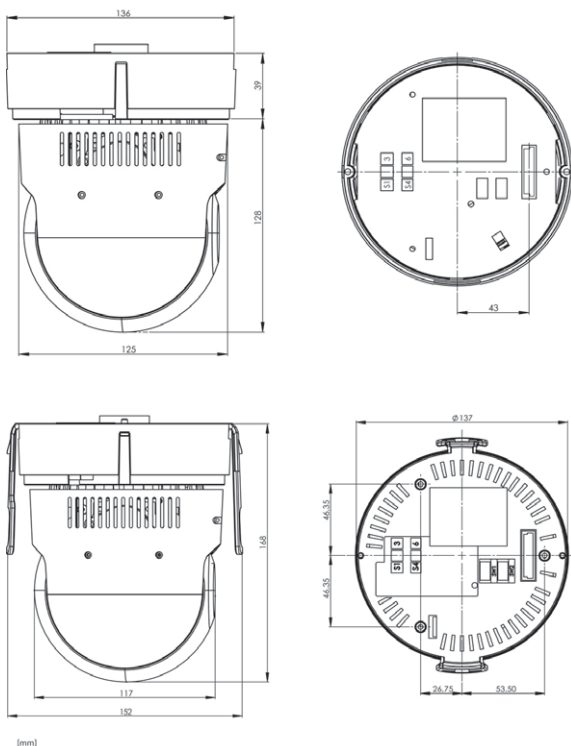


The DDZ3 018-YY/RP is a HiRes Remote-Positioning PTZ colour dome camera for the DOMERA® series.

- Horizontal resolution: 480 TV lines
- 1/4" EXview HAD CCD\* image sensor
- Pure Digital Signal Processing
- 18x optical zoom are available
- Additional 12x digital zoom
- High sensitivity for low-light images
- Enhanced image quality by means of numerous control functions like AWB, AGC, BLC and slow shutter
- Autofocus with manual override
- Remote-Positioning Pan/Tilt/Zoom mechanism
- 8 programmable preset positions
- DDZ3 018-SM/RP is compatible with the following mounting devices: DDZ3 oSM-A, DDZ3 oSM-IP, DDZ3 oWM-A, DDZ3 oWM-IP
- DDZ3 018-IM/RP is compatible with the following mounting devices: DDZ3 oIM-A, DDZ3 oIM-IP
- Power supply: 24/28V AC
- Easy and quick installation
- DIN EN 50130-4 compliant

Variants	
200.445.18.1.001	DDZ3 018-SM/RP PTZ dome camera without I/O interface PAL / Day / black / remote positioning / surface mount variant / 18x optical zoom
200.445.18.2.001	DDZ3 018-IM/RP PTZ dome camera without I/O interface PAL / Day / black / remote positioning / in-ceiling mount variant / 18x optical zoom

Options	
200.441.999	Design colours: Depending on customer demand, housing colour available according to PAL or Pantone colour scale / for in-ceiling mount variants. For enquires please contact <a href="mailto:design@dallmeier.com">design@dallmeier.com</a>
200.441	DDZ3 oIM-IP, IP BackBox / in-ceiling mount variant / white cover ring / clear bubble
200.442	DDZ3 oIM-A, analogue BackBox / in-ceiling mount variant / white cover ring / clear bubble
200.448	DDZ3 oSM-A, analogue BackPlate / surface mount variant / black / clear bubble
200.449	DDZ3 oSM-IP, IP BackPlate / surface mount variant / black / clear bubble
200.450.001	DDZ3 oWM-IP, IP weather-proof housing / white / clear bubble
200.450.007	DDZ3 oWM-A, analogue weather-proof housing / white / clear bubble



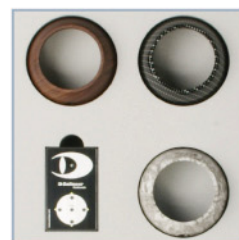
## Design demo case

# Design Demo Case

High-Tech Security in its most elegant form

The Design Demo Case is a high-value sample collection of the Dallmeier DesignCams. The appealing and robust metal case contains all design variants that are constantly available from stock. The Design Demo Case offers a unique opportunity to showcase the DesignCams to your end customer and to convey a realistic impression of the noble optical design and the fascinating elegance of the cameras!

- 12x design rings for Picodome® in-ceiling variant (burl wood dark high-polish, burl wood bright high-polish, walnut wood matt, marble high-polish, carbon black/silver, gold gleaming, gold brushed, copper brushed, chrome, chrome black, silver, white)
- 5x design rings for Picodome® surface variant (burl wood dark high-polish, burl wood bright high-polish, walnut wood matt, marble high-polish, carbon high-polish)
- 1x fully functional DDF3000APV camera, surface variant standard (white cover ring)
- 1x sample Picodome® surface variant standard (white cover ring)
- 1x sample Picodome® in-ceiling variant standard (white cover ring)
- 5x sample box cameras (burl wood dark high-polish, burl wood bright high-polish, walnut wood matt, marble high-polish, carbon high-polish)
- 1x PicoRemote Box
- 2x design brochures German
- 2x design brochures English



DesignCams

### Options

210.000

Design demo case



## MicroStreamer-PoE



The MicroStreamer PoE is a 1 channel audio and video streamer with a very compact casing. It is able to receive and encode analogue audio and video signals and transmit the resulting data in real-time via an Ethernet network (unicast or multicast) as a stream. It is ready for PoE but can also be operated with 24V AC power supply. The MicroStreamer is a stand-alone streamer. Its compact and robust design allows the streamer to be used in a multitude of locations.

- 1x analogue video channel
- Simultaneous encoding and streaming
- Video compression: MPEG-2/-4, MJPEG
- Audio compression: MPEG-1 Layer 2
- Integrated Dallmeier Image Optimiser for perfect image quality, even under adverse lighting conditions
- Bit rate (constant or dynamic) up to 16 Mbps
- Resolution up to D1
- Frame rate up to 25 fps at all resolutions
- Configuration with web browser via Ethernet
- Evaluation with SeMSy® or PView via Ethernet
- Integrated motion detection with selectable sensitivity
- Recording with various Dallmeier recorders
- Integrated 64MB RAM video memory
- PoE capable
- Power supply: PoE or 24V AC
- DIN EN 50130-4 compliant

### Variants

200.434.1.001	MicroStreamer-PoE PAL / grey
---------------	---------------------------------

### Options

200.402.2.09.01	Preview adapter cable, 2.5 mm phone jack on BNC
100.041	Universal power pack 240V AC / 24V AC, removable adapter EU/UK/US/AUS

## DIS-2/M UTP



The DIS-2/M UTP is a 1 channel audio and video encoder in modular design with recording capability and a UTP (two-wire line/Unshielded Twisted Pair) video input. It is able to receive and encode analogue audio and video signals and simultaneously record and transmit the resulting data in real-time via an Ethernet network (unicast or multicast) as a stream. The DIS-2/M UTP is designed for installation and operation in a 19" module rack. In the case of a service, the DIS-2/M UTP modules can be quickly and easily exchanged (hot-plug functionality).

- 1x analogue video channel
- Simultaneous encoding, recording, streaming, live display and playback
- Video compression: MPEG-2/-4, MJPEG
- Audio compression: MPEG-1 Layer 2
- Bit rate (constant or dynamic) up to 16 Mbps
- Resolution up to D1
- Frame rate up to 25 fps at all resolutions
- Configuration with web browser via Ethernet
- Evaluation with SeMSy® or PView 7 via Ethernet
- Integrated SmartFinder, motion detection and UTC compatibility
- Video inputs: 1x CVBS, 1x S-Video and 1x UTP
- Linux operating system on Flash memory
- Modular design with hot-plug functionality of the individual modules
- Available as variant with 2 HDDs, 1 HDD or without HDD

Variants	
002.001.0.000.000	DIS-2/M UTP 390 mm 1x analogue video channel
002.001.1.000.000	DIS-2/M UTP 550 mm for 1x HDD 1x analogue video channel
	Please note: HDDs must be ordered separately!
002.001.2.000.000	DIS-2/M UTP 700 mm for 2x HDDs 1x analogue video channel
	Please note that HDDs must be ordered separately!

Options	
002.000.11.390	19" module rack 390, (L390 mm x 3HU) for the installation of up to 10 modules without HDD's, incl. power supply and fan
002.000.11.550	19" module rack 550, (L550 mm x 3HU) for the installation of up to 10 modules with 1x HDD, incl. power supply and fan
002.000.11.700	19" module rack 700, (L700 mm x 3HU) for the installation of up to 10 modules with 2x HDDs, incl. power supply and fan
200.128FS	Internal RAID 1, 2x HDDs with the same capacity required (only ex factory)
100.100.05.0.12	500 GB hard disk
100.100.075.12	750 GB hard disk
100.100.100.12	1000 GB hard disk
100.100.200.12	2000 GB hard disk
100.900.01	Installation of a HDD, incl. function, long-term-, and final test; acceptance and approval

Activations	
200.120FS	Dual Stream for DIS series

## DIS-2/M StreamerPro UTP



The DIS-2/M StreamerPro UTP is a 1 channel audio and video encoder with a UTP (two-wire line/Unshielded Twisted Pair) video input. It is able to receive and encode analogue audio and video signals and transmit the resulting data in real-time via an Ethernet network (unicast or multicast) as a stream. The DIS-2/M StreamerPro UTP is a stand-alone streamer. Its compact and robust design allows the streamer to be used ad-hoc and in a multitude of locations.

- 1x analogue video channel
- Simultaneous real-time encoding, streaming and live display
- Video compression: MPEG-2/-4, MJPEG
- Audio compression: MPEG-1 Layer 2
- Bit rate (constant or dynamic) up to 16 Mbps
- Resolution up to D1
- Frame rate up to 25 fps at all resolutions
- Configuration with web browser via Ethernet
- Evaluation with SeMSy® or PView 7 via Ethernet
- Integrated motion detection and UTC compatibility
- Video inputs: 1x CVBS, 1x S-Video and 1x UTP
- Linux operating system on Flash memory

Variants		Options		Activations	
002.002.000	DIS-2/M StreamerPro UTP 1x analogue video channel	002.001.390	19" module rack, (L390 mm x 3HU) for the installation of up to 10 single devices, incl. power supply unit and its depositing rack	200.120FS	Dual Stream for DIS series
		000.214	19" bracket, for up to 4 units (1HU)		



## DIS-2/M StreamerPro HDD Large UTP



The DIS-2/M StreamerPro HDD Large UTP is a 1 channel audio and video encoder in modular design with recording capability and a UTP (two-wire line/Unshielded Twisted Pair) video input. It is able to receive and encode analogue audio and video signals, record and transmit the resulting data in real-time via an Ethernet network (unicast or multicast) as a stream. The DIS-2/M StreamerPro HDD Large UTP is a stand-alone encoder with a lockable slide-in unit. In the case of a service, the hard disk can be easily and quickly exchanged. Its compact and robust design allows the encoder to be used ad-hoc and in a multitude of locations.

- 1x analogue video channel
- Simultaneous encoding, recording, streaming, live display and playback
- Video compression: MPEG-2/-4, MJPEG
- Audio compression: MPEG-1 Layer 2
- Bit rate (constant or dynamic) up to 16 Mbps
- Resolution up to D1
- Frame rate up to 25 fps at all resolutions
- Configuration with web browser via Ethernet
- Evaluation with SeMSy® or PView 7 via Ethernet
- Integrated SmartFinder, motion detection and UTC compatibility
- Video inputs: 1x CVBS, 1x S-Video and 1x UTP
- Linux operating system on Flash memory
- Lockable slide-in unit for 1x HDD

Variants	Options	Activations
002.003.000		
DIS-2/M StreamerPro HDD Large UTP without HDDs	000.213 19" bracket, for up to 4 units (2HU)	200.120FS Dual Stream for DIS series
1x analogue video channel	100.100.050.12 500 GB hard disk	
Please note: HDD must be ordered separately!	100.100.075.12 750 GB hard disk	
	100.100.100.12 1000 GB hard disk	
	100.100.200.12 2000 GB hard disk	
	100.900.01 Installation of a HDD, incl. function, long-term-, and final test; acceptance and approval	



## DIS-2 Multi-D HD



Available shortly!

The DIS-2 Multi-D HD is a 1 channel high-definition audio and video decoder in modular design with recording capability. It is able to receive audio and video streams in various encodings via an Ethernet network (unicast or multicast), decode and record them and output them in real-time via its HDMI interface (up to 1080p). The DIS-2 Multi-D HD is designed for installation and operation in a 19" module rack. In the case of a service the DIS-2 Multi-D HD modules can be quickly and easily exchanged (hot-plug functionality).

- 1x IP based video decoder channel
- Simultaneous decoding, recording, live display and playback
- Supported video formats: MPEG-2/-4, H.264 <sup>1)</sup>
- Supported audio formats: MPEG-1 Layer 2, G.722 <sup>1)</sup>
- Bit rate (constant or dynamic) up to 16 Mbps
- HDMI ready with an output format of up to 1080p <sup>1)</sup>
- Fast display times, low delay (less than 100ms)
- Upscaling from SD to 720p, 1080i or 1080p <sup>1)</sup>
- Video outputs: 1x HDMI, 1x CVBS/BNC
- Configuration with web browser via Ethernet
- Evaluation with SeMSy® or PView 7 via Ethernet
- Linux operating system on Flash memory
- Modular design with hot-plug functionality of the individual components
- Available as variant with 2 HDDs, 1 HDD or without HDDs

<sup>1)</sup> In development

Variants	
002.006.0.000.000	DIS-2 Multi-D HD 390 mm 1x IP based video channel
002.006.1.000.000	DIS-2 Multi-D HD 550 mm for 1x HDD 1x IP based video channel
Please note: HDDs must be ordered separately!	
002.006.2.000.000	DIS-2 Multi-D HD 700 mm for 2x HDDs 1x IP based video channel
Please note: HDDs must be ordered separately!	

Options	
002.000.11.390	19" module rack 390, (L390 mm x 3HU) for the installation of up to 10 modules without HDD's, incl. power supply and fan
002.000.11.550	19" module rack 550, (L550 mm x 3HU) for the installation of up to 10 modules with 1x HDD, incl. power supply and fan
002.000.11.700	19" module rack 700, (L700 mm x 3HU) for the installation of up to 10 modules with 2x HDDs, incl. power supply and fan
200.128F5	Internal RAID 1, 2x HDDs with the same capacity required (only ex factory)
100.100.05.0.12	500 GB hard disk
100.100.075.12	750 GB hard disk
100.100.100.12	1000 GB hard disk
100.100.200.12	2000 GB hard disk
100.900.01	Installation of a HDD, incl. function, long-term-, and final test; acceptance and approval



## DIS-2/M DecoderPro HD

Available shortly!



The DIS-2/M DecoderPro HD is a 1 channel stand-alone high-definition audio and video decoder. It is able to receive audio and video streams in various encodings via an Ethernet network (unicast or multicast), simultaneously decode them and output them in real-time via its HDMI interface (up to 1080p). The DIS-2/M DecoderPro HD is a stand-alone decoder. Its compact and robust design allows the decoder to be used ad-hoc and in a multitude of locations.

- 1x IP based video channel
- Simultaneous decoding and live display
- Supported video formats: MPEG-2/-4, H.264 <sup>1)</sup>
- Supported audio formats: MPEG-1 Layer 2, G.722 <sup>1)</sup>
- Bit rate (constant or dynamic) up to 16 Mbps
- HDMI ready with an output format of up to 1080p <sup>1)</sup>
- Video outputs: 1x HDMI, 1x CVBS/BNC
- Fast display times, low delay (less than 100ms)
- Upscaling from SD to 720p, 1080i or 1080p <sup>1)</sup>
- Configuration with web browser via Ethernet
- Evaluation with SeMSy® or PView 7 via Ethernet
- Linux operating system on Flash memory

<sup>1)</sup> In development

### Variants

002.008.000	DIS-2/M DecoderPro HD 1x IP based video decoder channel
-------------	--

### Options

002.001.390	19" module rack, (1390 mm x 3HU) for the installation of up to 10 single devices, incl. power supply unit and its depositing rack
000.214	19" bracket, for up to 4 units (1HU)



## DIS-2/M NSU



The DIS-2/M NSU is a 1 channel audio and video streamer in modular construction with recording capability. It is able to receive audio and video streams in various encodings via an Ethernet network (unicast or multicast), record them, play back and output them as a stream. The DIS-2/M NSU is conceived for mounting and operation in a 19" module rack. In the case of a service the DIS-2/M NSU modules can be quickly and easily exchanged (hot-plug functionality).

- 1x IP based video channel
- Simultaneous recording, streaming, live display and playback
- Supported video formats: MPEG-2/-4, MJPEG, H.264 <sup>1)</sup>
- Supported audio formats: MPEG-1 Layer 2, G.722 <sup>1)</sup>
- Bit rate (constant or dynamic) up to 16 Mbps
- Resolutions: SD, HD (720p, 1080i, 1080p)
- Frame rate up to 25 fps at all resolutions
- Configuration with web browser via Ethernet
- Evaluation with SeMSy® or PView 7 via Ethernet
- Integrated motion detection and SmartFinder
- Linux operating system on Flash memory
- Modular design with hot-plug functionality of the individual modules
- Available as variant with 2 HDDs or 1 HDD

1) In development

Variants	
002.004.1.000.000	DIS-2/M NSU 550 mm for 1x HDD 1x IP based video channel
	Please note: HDDs must be ordered separately!
002.004.2.000.000	DIS-2/M NSU 700 mm for 2x HDDs 1x IP based video channel
	Please note: HDDs must be ordered separately!

Options	
002.000.11.55.0	19" module rack 550, (L550 mm x 3HU) for the installation of up to 10 modules with 1x HDD, incl. power supply and fan
002.000.11.70.0	19" module rack 700, (L700 mm x 3HU) for the installation of up to 10 modules with 2x HDDs, incl. power supply and fan
200.128F5	Internal RAID 1, 2x HDDs with the same capacity required (only ex factory)
100.100.05.0.12	500 GB hard disk
100.100.075.12	750 GB hard disk
100.100.100.12	1000 GB hard disk
100.100.200.12	2000 GB hard disk
100.900.01	Installation of a HDD, incl. function, long-term-, and final test; acceptance and approval



## EDS-1 HD

Available shortly!



The EDS-1 HD is a high-definition 1 channel audio and video encoder, decoder and streamer with recording capability. It is able to receive analogue audio and video data in real-time, encode and record them and output them via an Ethernet network (unicast or multicast) as a stream. Furthermore, the EDS-1 HD is able to receive audio and video streams via an Ethernet network (unicast or multicast), decode them and output them via its HDMI interface (up to 1080p). The EDS-1 HD is a stand-alone device in compact design (1HU). Additionally, it is designed for installation in a 19" rack and operation in control and server rooms.

- 1x IP based video decoder channel
- 1x analogue video encoder channel
- Simultaneous decoding, encoding, recording, live display and playback
- Supported video formats: MPEG-2/-4, MJPEG, H.264 <sup>1)</sup>
- Supported audio formats: MPEG-1 Layer 2, G.722 <sup>1)</sup>
- Bit rate (constant or dynamic) up to 16 Mbps
- HDMI ready with an output format of up to 1080p <sup>1)</sup>
- Video outputs: 1x HDMI, 1x CVBS/BNC
- Fast display times, low delay (less than 100ms)
- Upscaling from SD to 720p, 1080i or 1080p <sup>1)</sup>
- Configuration with web browser via Ethernet
- Evaluation with SeMSy® or PView 7 via Ethernet
- Linux operating system on Flash memory
- Optionally available: 1x hard disk for recording at the decoder and 1x hard disk for recording at the encoder
- Internal RAID 1 optionally available, but only possible for variants with 2x hard disks at the encoder
- Compact design, 1HU
- Provided with power supply unit and 19" mount for installation in a 19" rack

1) In development

Variants	
001.141.2.011.000	EDS-1 HD
001.141.2.202.000	EDS-1 HD for 2x HDDs 2x HDDs (decoding)
	Please note: HDDs must be ordered separately!
001.141.2.211.000	EDS-1 HD for 2x HDDs 1x HDD (decoding) and 1x HDD (encoding)
	Please note: HDDs must be ordered separately!
001.141.2.220.000	EDS-1 HD for 2x HDDs 2x HDDs (encoding)
	Please note: HDDs must be ordered separately!

Options	
200.128F5	Internal RAID 1, 2x HDDs with the same capacity required (only ex factory)
100.100.050.12	500 GB hard disk
100.100.075.12	750 GB hard disk
100.100.100.12	1000 GB hard disk
100.100.200.12	2000 GB hard disk
100.900.01	Installation of a HDD, incl. function, long-term-, and final test; acceptance and approval

Activations	
200.120F5	Dual Stream for DIS series



## WSD-2 HD

 Available shortly!



The WSD-2 HD is a high-definition 2 channel audio and video decoder with recording capability. It is able to receive audio and video streams via an Ethernet network (unicast or multicast), decode them and output them via its HDMI interfaces (up to 1080p). The WSD-2 HD is a stand-alone device in compact design (1HU). Additionally, it is designed for the installation in a 19" rack and operation in control and server rooms.

- 2x IP based video decoder channels
- Simultaneous decoding, recording, live display and playback
- Supported video formats: MPEG-2/-4, H.264 <sup>1)</sup>
- Supported audio formats: MPEG-1 Layer 2, G.722 <sup>1)</sup>
- Bit rate (constant or dynamic) up to 16 Mbps
- HDMI ready with an output format of up to 1080p <sup>1)</sup>
- Video outputs: 2x HDMI, 2x CVBS/BNC
- Fast display times, low delay (less than 100ms)
- Upscaling from SD to 720p, 1080i or 1080p <sup>1)</sup>
- Configuration with web browser via Ethernet
- Evaluation with SeMSy® or PView 7 via Ethernet
- Linux operating system on Flash memory
- 2x HDDs for recording optionally available
- Compact design, 1HU
- Provided with power supply unit and 19" bracket for installation into a 19" rack

1) In development

Variants	
001.241.2.011.000	WSD-2 HD
001.241.2.211.000	WSD-2 HD for 2x HDDs 1x HDD (decoder right) and 1x HDD for (decoder left)
Please note: HDDs must be ordered separately!	

Options	
100.100.050.12	500 GB hard disk
100.100.075.12	750 GB hard disk
100.100.100.12	1000 GB hard disk
100.100.200.12	2000 GB hard disk
100.900.01	Installation of a HDD, incl. function, long-term-, and final test; acceptance and approval

## DIS-2/M Module Rack



The DIS-2/M Module Rack is a 3 HU slide-in module for 19" standard racks. It can house up to 10 DIS-2/M modules (without HDD, 1 HDD, 2 HDD) and is correspondingly provided in different lengths. Two integrated power supply units (redundant, hot-plug) provide power for the integrated controller and all DIS-2/M modules.

- Supported DIS-2/M modules: DIS-2/M UTP, DIS-2 Multi-D, DIS-2 Multi-D HD, DIS-2/M NSU
- Available in 3 variants (700mm, 550mm, 390mm)
- 2 redundant power supply units with integrated fans
- Messages (power supply unit or fan failure) to all installed DIS-2/M modules

Variants	
002.000.11.390	19" module rack 390 (L390 mm x 3HU) for the installation of up to 10 modules without HDD's incl. power supply and fan
002.000.11.550	19" module rack 550 (L550 mm x 3HU) for the installation of up to 10 modules with 1x HDD incl. power supply and fan
002.000.11.700	19" module rack 700 (L700 mm x 3HU) for the installation of up to 10 modules with 2x HDDs incl. power supply and fan

Options	
002.000.000	Cover plate for covering unused bays of module rack

## DIS-2/M StreamerPro Module Rack



The DIS-2/M StreamerPro Module Rack is a 3 HU slide-in module for 19" standard racks. It can house up to 10 DIS-2/M StreamerPro UTP modules.

- Module rack in 19" rack drawer-unit design for holding up to 10 individual DIS-2/M StreamerPro UTP
- Dimensions (W x H x D): 483 x 132.5 x 255 mm (3HU)
- Power supply: 230V AC/115V AC (50Hz/60Hz)
- Provided with power supply unit and its depositing rack

### Variants

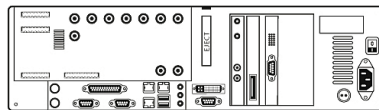
002.001.390	19" module rack (L390 mm x 3HU) for the installation of up to 10 single devices incl. power supply unit and its depositing rack
-------------	---

### Options

002.000.001	Cover plate for covering unused bays of module rack
-------------	---



# DMS 80



The DMS 80 is a stand-alone hybrid audio and video recorder with up to 24 channels. The basic version with 8 analogue channels can be expanded by 8/16 IP based channels with an activation code.

- Up to 8 analogue and 16 IP based video channels (SD/HD)
- PentaplexPlus functionality: Simultaneous real-time recording, streaming, live display, playback and remote access
- Hybrid recording: H.264, MPEG-4, MJPEG
- Audio compression: G.722, MPEG-1 Layer 2
- Bit rate up to 1.5 Mbps with analogue cameras, up to 4 Mbps with IP cameras
- Resolution with analogue cameras: up to 4CIF
- Resolution with IP cameras: SD, HD (720p, 1080i, 1080p), up to 8 MB
- Frame rate per channel up to 12 fps at CIF with analogue cameras, up to 25 fps at D1 with IP cameras
- Variable recording mode (VRM): event-triggered switchover of the recording quality
- Evaluation with SeMSy® or PView 7 via Ethernet
- Integrated management software PView 7 Light
- Integrated SmartFinder and privacy zones for analogue cameras
- Integrated motion detection for analogue and Dallmeier IP cameras
- Live browser access and integrated UTC compatibility
- Exchangeable hard disks: up to 2x 3,5" HDDs (optional)
- Easy-Change functionality in case of HDD failure
- 12V output for the external storage expansion DAS-4 Eco
- Linux operating system on Flash memory
- DIN EN 50130-4 compliant

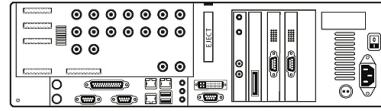
Variants	
080.000.000.008	DMS 80 without HDDs 8x analogue video channels
	Please note that HDDs must be ordered separately!
080.000.100.308	DMS 80, ready for storage with 2x 500 GB HDDs 8x analogue video channels

Options	
000.194	19" bracket, for a 3HU single device
180.900	VdS installation kit, incl. mounting kit and protective cover for the connections
200.128FS	Internal RAID 1, 2x HDDs with the same capacity required (only ex factory)
200.337	Filter pad, 3HU (5 pieces)
010.240	DVI digital output
100.030	FC interface (fiber optic), for connecting DAS-303 (see storage systems), only ex factory
100.090	SATA interface, for connecting DAS-4 Eco (see storage systems), only ex factory
200.210.1	RS485 kit, for the direct control of Dallmeier PTZ dome cameras at the recorder, -DCCP activation included- (only ex factory)
702.043	Slimline DVD+RW drive
124.002.01	TA-24 MS multi screen, for using CVBS monitors incl. split switching, More information can be found in our Partner Forum under "Documentations".
129.303	VSC-1 (Video System Controller), for the control of cameras at the recorder
200.325	DFM-1-USB radio clock unit, Radio clock unit on USB (up software version: V5.1.X)
100.033.3	DNI-1 Scheidt & Bachmann cash desk
100.034	DNI-1 basis set, for the connection of an external data interface (such as ATM, access control, cash register, etc.), More information can be found in our Partner Forum under "Documentations".
100.035	DNI-1/E expansion module
100.037.3	DNI-1 Huth cash desk basis set, for connecting a Huth central computer (for up to 4 cashier work stations) incl. transmitter
100.038	DNI-1 Huth expansion module
100.050	DNI-TA24, for connecting the TA-24 MS keyboard
100.039	Power supply unit for DNI interfaces and TA-24
100.100.05.0.12	500 GB hard disk
100.100.075.12	750 GB hard disk
100.100.100.12	1000 GB hard disk
100.100.200.12	2000 GB hard disk
100.900.01	Installation of a HDD, incl. function, long-term-, and final test; acceptance and approval
100.900.02	Preparation for connection of external storage systems (e.g. DAS-303), incl. storage function, hardware interface, interface function test. Please note: Hard disks and installation of HDDs respectively must be ordered separately.

Activations	
000.208FS	SEDOR® camera sabotage protection
100.101.FS	ATM activity survey
100.102.FS	D/N-RC - Day/Night Remote Control
100.109.FS	SmartFinder advance
100.118.FS	Anbindung Kassen: Daten können von AWEK-Kassensystemen über LAN empfangen werden. Die Daten werden gespeichert und können bei der Bildsuche (erweiterte Suche) verwendet werden.
200.116FS	Audio for all channels
200.117FS	PRemote PDA, PRemote advance required
200.118FS	PView / PRemote live split recording
200.119FS	Voice Talk - bidirectional audio, PRemote advance required
200.122FS	PRemote advance
200.130	SNMP (SI-package SYS-Watch)
200.202FS.4	DVR4 EBUS standard image transmission
200.234FS	VNC server
240.003.8.1	Hybrid activation: 8 analogue / 1 IP based video channel (SD/HD)
240.003.8.16	Hybrid activation: 8 analogue / 16 IP based video channels (SD/HD)
240.003.8.2	Hybrid activation: 8 analogue / 2 IP based video channels (SD/HD)
240.003.8.4	Hybrid activation: 8 analogue / 4 IP based video channels (SD/HD)
240.003.8.8	Hybrid activation: 8 analogue / 8 IP based video channels (SD/HD)



# DMS 160



The DMS 160 is a stand-alone hybrid audio and video recorder with up to 24 channels. The basic version with 16 analogue channels can be expanded by 8 IP based channels with an activation code.

- Up to 16 analogue and 8 IP based video channels (SD/HD)
- PentaplexPlus functionality: Simultaneous real-time recording, streaming, live display, playback and remote access
- Hybrid recording: H.264, MPEG-4, MJPEG
- Audio compression: G.722, MPEG-1 Layer 2
- Bit rate up to 1.5 Mbps with analogue cameras, up to 4 Mbps with IP cameras
- Resolution with analogue cameras: up to 4CIF
- Resolution with IP cameras: SD, HD (720p, 1080i, 1080p), up to 8 MB
- Frame rate per channel up to 12 fps at CIF with analogue cameras, up to 25 fps at D1 with IP cameras
- Variable recording mode (VRM): event-triggered switchover of the recording quality
- Evaluation with SeMSy® or PView 7 via Ethernet
- Integrated management software PView 7 Light
- Integrated SmartFinder and privacy zones for analogue cameras
- Integrated motion detection for analogue and Dallmeier IP cameras
- Live browser access and integrated UTC compatibility
- Exchangeable hard disks: up to 2x 3,5" HDDs (optional)
- Easy-Change functionality in case of HDD failure
- 12V output for the external storage expansion DAS-4 Eco
- Linux operating system on Flash memory
- DIN EN 50130-4 compliant

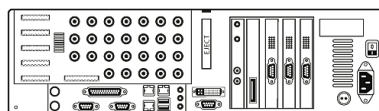
Variants	
160.000.000.016	DMS 160 without HDDs 16x analogue video channels  Please note that HDDs must be ordered separately!
160.000.100.316	DMS 160, ready for storage with 2x 500 GB HDDs 16x analogue video channels

Options	
000.194	19" bracket, for a 3HU single device
180.900	VdS installation kit, incl. mounting kit and protective cover for the connections
200.128FS	Internal RAID 1, 2x HDDs with the same capacity required (only ex factory)
200.337	Filter pad, 3HU (5 pieces)
010.240	DVI digital output
100.030	FC interface (fiber optic), for connecting DAS-3 03 (see storage systems), only ex factory
100.090	SATA interface, for connecting DAS-4 Eco (see storage systems), only ex factory
200.210.1	RS485 kit, for the direct control of Dallmeier PTZ dome cameras at the recorder, -DCCP activation included- (only ex factory)
702.043	Slimline DVD+RW drive
124.002.01	TA-24 MS multi screen, for using CVBS monitors incl. split switching, More information can be found in our Partner Forum under "Documentations".
129.303	VSC-1 (Video System Controller), for the control of cameras at the recorder
129.305.3	Joystick, Tri-axial joystick, only in combination with PView 7 Light or PView 7
200.325	DFM-1-USB radio clock unit, Radio clock unit on USB (up software version: V5.1.X)
100.033.3	DNI-1 Scheidt & Bachmann cash desk
100.034	DNI-1 basis set, for the connection of an external data interface (such as ATM, access control, cash register, etc.). More information can be found in our Partner Forum under "Documentations".
100.035	DNI-1/E expansion module
100.037.3	DNI-1 Huth cash desk basis set, for connecting a Huth central computer (for up to 4 cashier work stations) incl. transmitter
100.038	DNI-1 Huth expansion module
100.050	DNI-TA24, for connecting the TA-24 MS keyboard
100.039	Power supply unit for DNI interfaces and TA-24
100.100.050.12	500 GB hard disk
100.100.075.12	750 GB hard disk
100.100.100.12	1000 GB hard disk
100.100.200.12	2000 GB hard disk
100.900.01	Installation of a HDD, incl. function, long-term-, and final test; acceptance and approval
100.900.02	Preparation for connection of external storage systems (e.g. DAS-3 03), incl. storage function, hardware interface, interface function test. Please note: Hard disks and installation of HDDs respectively must be ordered separately.

Activations	
000.209FS	SEDOR® camera sabotage protection
100.101.FS	ATM activity survey
100.102.FS	D/N-RC - Day/Night Remote Control
100.109.FS	SmartFinder advance
100.118.FS	Anbindung Kassen: Daten können von AWEK-Kassensystemen über LAN empfangen werden. Die Daten werden gespeichert und können bei der Bildsuche (erweiterte Suche) verwendet werden.
200.116FS	Audio for all channels
200.117FS	PRemote PDA, PRemote advance required
200.118FS	PView / PRemote live split recording
200.119FS	Voice Talk - bidirectional audio, PRemote advance required
200.122FS	PRemote advance
200.130	SNMP (SI-package SYS-Watch)
200.202FS.4	DVR4 EBUS standard image transmission
200.234FS	VNC server
240.003.16.1	Hybrid activation: 16 analogue / 1 IP based video channel (SD/HD)
240.003.16.2	Hybrid activation: 16 analogue / 2 IP based video channels (SD/HD)
240.003.16.4	Hybrid activation: 16 analogue / 4 IP based video channels (SD/HD)
240.003.16.8	Hybrid activation: 16 analogue / 8 IP based video channels (SD/HD)



# DMS 240



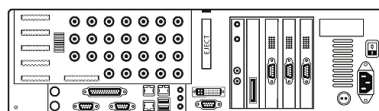
The DMS 240 is a stand-alone hybrid audio and video recorder with up to 24 channels. The basic version with 8 analogue channels can be expanded by 8/16 analogue channels or activated with 8/16 IP based channels.

- Up to 24 analogue and 16 IP based video channels (max. 24 channels in total) (SD/HD)
- PentaplexPlus functionality: Simultaneous real-time recording, streaming, live display, playback and remote access
- Hybrid recording: H.264, MPEG-4
- Audio compression: G.722, MPEG-1 Layer 2
- Bit rate up to 2 Mbps with analogue cameras, up to 4 Mbps with IP cameras
- Resolution with analogue cameras: up to 4CIF
- Resolution with IP cameras: SD, HD (720p, 1080i, 1080p), up to 8 MB
- Frame rate per channel up to 12 fps at 4CIF with analogue cameras, up to 25 fps at D1 with IP cameras
- Variable recording mode (VRM): event-triggered switchover of the recording quality
- Evaluation with SeMSy® or PView 7 via Ethernet
- Integrated management software PView 7 Light
- Integrated SmartFinder, privacy zones and SEDOR® camera sabotage protection for analogue cameras
- Integrated motion detection for analogue and Dallmeier IP cameras
- Live browser access and integrated UTC compatibility
- Exchangeable hard disks: up to 2x 3,5" HDDs (optional)
- Easy-Change functionality in case of HDD failure
- 12V output for the external storage expansion DAS-4 Eco
- Linux operating system on Flash memory
- DIN EN 50130-4 compliant

Variants		Options		Activations	
240.000.000.008	DMS 240 without HDDs 8x analogue video channels	000.194	19" bracket, for a 3HU single device	100.101.FS	ATM activity survey
	Please note that HDDs must be ordered separately!	180.900	VdS installation kit, incl. mounting kit and protective cover for the connections	100.102.FS	D/N-RC - Day/Night Remote Control
240.000.000.016	DMS 240 without HDDs 16x analogue video channels	200.128FS	Internal RAID 1, 2x HDDs with the same capacity required (only ex factory)	100.109.FS	SmartFinder advance
	Please note that HDDs must be ordered separately!	200.337	Filter pad, 3HU (5 pieces)	100.118.FS	Anbindung Kassen: Daten können von AWEK-Kassensystemen über LAN empfangen werden. Die Daten werden gespeichert und können bei der Bildsuche (erweiterte Suche) verwendet werden.
240.000.000.024	DMS 240 without HDDs 24x analogue video channels	010.240	DVI digital output	200.117FS	PRemote PDA, PRemote advance required
	Please note that HDDs must be ordered separately!	100.030	FC interface (fiber optic), for connecting DAS-303 (see storage systems), only ex factory	200.118FS	PView / PRemote live split recording
240.000.100.308	DMS 240, ready for storage with 2x 500 GB HDDs 8x analogue video channels	100.090	SATA interface, for connecting DAS-4 Eco (see storage systems), only ex factory	200.119FS	Voice Talk - bidirectional audio, PRemote advance required
240.000.100.316	DMS 240, ready for Storage with 2x 500 GB HDDs 16x analogue video channels	200.210.1	RS485 kit, for the direct control of Dallmeier PTZ dome cameras at the recorder, -DCCP activation included- (only ex factory)	200.120FS	Dual Stream
240.000.100.324	DMS 240, ready for Storage with 2x 500 GB HDDs 24x analogue video channels	702.043	Slimline DVD+RW drive	200.122FS	PRemote advance
		124.002.01	TA-24 MS multi screen, for using CVBS monitors incl. split switching, More information can be found in our Partner Forum under "Documentations".	200.130	SNMP (SI-package SYS-Watch)
		129.303	VSC-1 (Video System Controller), for the control of cameras at the recorder	200.202FS.4	DVR4 EBUS standard image transmission
		129.305.3	Joystick, Tri-axial joystick, only in combination with PView 7 Light or PView 7	200.234FS	VNC server
		200.325	DFM-1-USB radio clock unit, Radio clock unit on USB (up software version: V5.1.X)	240.003.16.1	Hybrid activation: 16 analogue / 1 IP based video channel (SD/HD)
		100.033.3	DNI-1 Scheidt & Bachmann cash desk	240.003.16.2	Hybrid activation: 16 analogue / 2 IP based video channels (SD/HD)
		100.034	DNI-1 basis set, for the connection of an external data interface (such as ATM, access control, cash register, etc.), More information can be found in our Partner Forum under "Documentations".	240.003.16.4	Hybrid activation: 16 analogue / 4 IP based video channels (SD/HD)
		100.035	DNI-1/E expansion module	240.003.16.8	Hybrid activation: 16 analogue / 8 IP based video channels (SD/HD)
		100.037.3	DNI-1 Huth cash desk basis set, for connecting a Huth central computer (for up to 4 cashier work stations) incl. transmitter	240.003.8.1	Hybrid activation: 8 analogue / 1 IP based video channel (SD/HD)
		100.038	DNI-1 Huth expansion module	240.003.8.16	Hybrid activation: 8 analogue / 16 IP based video channels (SD/HD)
		100.050	DNI-TA24, for connecting the TA-24 MS keyboard	240.003.8.2	Hybrid activation: 8 analogue / 2 IP based video channels (SD/HD)
		100.039	Power supply unit for DNI interfaces and TA-24	240.003.8.4	Hybrid activation: 8 analogue / 4 IP based video channels (SD/HD)
		100.100.050.12	500 GB hard disk	240.003.8.8	Hybrid activation: 8 analogue / 8 IP based video channels (SD/HD)
		100.100.075.12	750 GB hard disk		
		100.100.100.12	1000 GB hard disk		
		100.100.200.12	2000 GB hard disk		
		100.900.01	Installation of a HDD, incl. function, long-term-, and final test; acceptance and approval		
		100.900.02	Preparation for connection of external storage systems (e.g. DAS-303), incl. storage function, hardware interface, interface function test. Please note: Hard disks and installation of HDDs respectively must be ordered separately.		



# DMS 240 HSR



The DMS 240 HSR is a stand-alone hybrid audio and video recorder with up to 24 channels. The basic version with 8 analogue channels can be expanded by 8/16 analogue channels or activated with 8/16 IP based channels. Furthermore, the DMS 240 HSR (High Speed, High Resolution) is optimised for recording high frame rates at high resolution.

- Up to 24 analogue and 16 IP based video channels (max. 24 channels in total) (SD/HD)
- PentaplexPlus functionality: Simultaneous real-time recording, streaming, live display, playback and remote access
- Hybrid recording: H.264, MPEG-4, MJPEG
- Audio compression: G.722, MPEG-1 Layer 2
- Bit rate up to 2 Mbps with analogue cameras, up to 4 Mbps with IP cameras
- Resolution with analogue cameras: up to 4CIF
- Resolution with IP cameras: SD, HD (720p, 1080i, 1080p), up to 8 MB
- Frame rate per channel up to 25 fps at 4CIF with analogue cameras, up to 25 fps at D1 with IP cameras
- Variable recording mode (VRM): event-triggered switchover of the recording quality
- Evaluation with SeMSy® or PView 7 via Ethernet
- Integrated management software PView 7 Light
- Integrated SmartFinder, privacy zones and SEDOR® camera sabotage protection for analogue cameras
- Integrated motion detection for analogue and Dallmeier IP cameras
- Live browser access and integrated UTC compatibility
- Exchangeable hard disks: up to 2x 3,5" HDDs (optional)
- Easy-Change functionality in case of HDD failure
- 12V output for the external storage expansion DAS-4 Eco
- Linux operating system on Flash memory
- DIN EN 50130-4 compliant

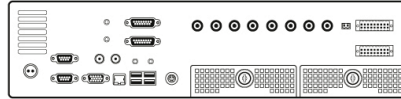
Variants	
240.003.000.008	DMS 240 HSR without HDDs 8x analogue video channels  Please note that HDDs must be ordered separately!
240.003.000.016	DMS 240 HSR without HDDs 16x analogue video channels  Please note that HDDs must be ordered separately!
240.003.000.024	DMS 240 HSR without HDDs 24x analogue video channels  Please note that HDDs must be ordered separately!
240.003.100.308	DMS 240 HSR Ready for storage with 2x 500 GB HDDs 8x analogue video channels
240.003.100.316	DMS 240 HSR, ready for storage with 2x 500 GB HDDs 16x analogue video channels
240.003.100.324	DMS 240 HSR, ready for storage with 2x 500 GB HDDs 24x analogue video channels

Options	
000.194	19" bracket, for a 3HU single device
180.900	VdS installation kit, incl. mounting kit and protective cover for the connections
200.128F5	Internal RAID 1, 2x HDDs with the same capacity required (only ex factory)
200.337	Filter pad, 3HU (5 pieces)
010.240	DVI digital output
100.030	FC interface (fiber optic), for connecting DAS-303 (see storage systems), only ex factory
100.090	SATA interface, for connecting DAS-4 Eco (see storage systems), only ex factory
200.210.1	RS485 kit, for the direct control of Dallmeier PTZ dome cameras at the recorder, -DCCP activation included- (only ex factory)
702.043	Slimline DVD+RW drive
124.002.01	TA-24 MS multi screen, for using CVBS monitors incl. split switching, More information can be found in our Partner Forum under "Documentations".
129.303	VSC-1 (Video System Controller), for the control of cameras at the recorder
129.305.3	Joystick, Tri-axial joystick, only in combination with PView 7 Light or PView 7
200.325	DFM-1-USB radio clock unit, Radio clock unit on USB (up software version: V5.1.X)
100.033.3	DNI-1 Scheidt & Bachmann cash desk
100.034	DNI-1 basis set, for the connection of an external data interface (such as ATM, access control, cash register, etc.), More information can be found in our Partner Forum under "Documentations".
100.035	DNI-1/E expansion module
100.037.3	DNI-1 Huth cash desk basis set, for connecting a Huth central computer (for up to 4 cashier work stations) incl. transmitter
100.038	DNI-1 Huth expansion module
100.050	DNI-TA24, for connecting the TA-24 MS keyboard
100.039	Power supply unit for DNI interfaces and TA-24
100.100.050.12	500 GB hard disk
100.100.075.12	750 GB hard disk
100.100.100.12	1000 GB hard disk
100.100.200.12	2000 GB hard disk
100.900.01	Installation of a HDD, incl. function, long-term-, and final test; acceptance and approval
100.900.02	Preparation for connection of external storage systems (e.g. DAS-303), incl. storage function, hardware interface, interface function test. Please note: Hard disks and installation of HDDs respectively must be ordered separately.

Activations	
100.101.F5	ATM activity survey
100.102.F5	D/N-RC - Day/Night Remote Control
100.109.F5	SmartFinder advance
100.118.F5	Anbindung Kassen: Daten können von AWEK-Kassensystemen über LAN empfangen werden. Die Daten werden gespeichert und können bei der Bildsuche (erweiterte Suche) verwendet werden.
200.117.F5	PRemote PDA, PRemote advance required
200.118.F5	PView / PRemote live split recording
200.119.F5	Voice Talk - bidirectional audio, PRemote advance required
200.120.F5	Dual Stream
200.122.F5	PRemote advance
200.130	SNMP (SI-package SYS-Watch)
200.202.F5.4	DVR4 EBUS standard image transmission
200.234.F5	VNC server
240.003.16.1	Hybrid activation: 16 analogue / 1 IP based video channel (SD/HD)
240.003.16.2	Hybrid activation: 16 analogue / 2 IP based video channels (SD/HD)
240.003.16.4	Hybrid activation: 16 analogue / 4 IP based video channels (SD/HD)
240.003.16.8	Hybrid activation: 16 analogue / 8 IP based video channels (SD/HD)
240.003.8.1	Hybrid activation: 8 analogue / 1 IP based video channel (SD/HD)
240.003.8.16	Hybrid activation: 8 analogue / 16 IP based video channels (SD/HD)
240.003.8.2	Hybrid activation: 8 analogue / 2 IP based video channels (SD/HD)
240.003.8.4	Hybrid activation: 8 analogue / 4 IP based video channels (SD/HD)
240.003.8.8	Hybrid activation: 8 analogue / 8 IP based video channels (SD/HD)



# DLS 4



The DLS 4 is a stand-alone H.264 audio and video recorder with up to 8 analogue channels. The basic version with 4 analogue channels can be expanded in blocks of 2 analogue channels via activation codes up to a maximum of 8 analogue channels.

- Up to 8 analogue video channels
- PentaplexPlus functionality: Simultaneous real-time recording, streaming, live display, playback and remote access
- H.264 video compression and G.722 audio compression
- Bit rate up to 1.5 Mbps
- Resolution up to 4CIF
- Frame rate per channel up to 12 fps at CIF
- Evaluation with SeMSy® or PView 7 via Ethernet
- Integrated management software PView 7 Light
- Integrated SmartFinder, privacy zones and motion detection
- Integrated UTC compatibility
- Exchangeable hard disks: up to 2x 3,5" HDDs (optional)
- Easy-Change functionality in case of HDD failure
- Linux operating system on Flash memory
- DIN EN 50130-4 compliant

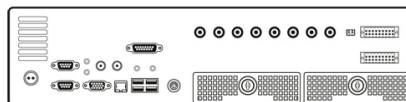
Variants	
004.010.000.004	DLS 4 without HDDs 4x analogue video channels
	Please note that HDDs must be ordered separately!

Options	
000.120	19" bracket, for a 2HU single device
200.128FS	Internal RAID 1, 2x HDDs with the same capacity required (only ex factory)
200.338	Filter pad, 2HU (5 pieces)
702.044	DVD+RW Drive
124.002.01	TA-24 MS multi screen, for using CVBS monitors incl. split switching, More information can be found in our Partner Forum under "Documentations".
129.303	VSC-1 (Video System Controller), for the control of cameras at the recorder
129.305.3	Joystick, Tri-axial joystick, only in combination with PView 7 Light or PView 7
200.325	DFM-1-USB radio clock unit, Radio clock unit on USB (up software version: V5.1.X)
100.039	Power supply unit for DNI interfaces and TA-24
100.100.050.12	500 GB hard disk
100.100.075.12	750 GB hard disk
100.100.100.12	1000 GB hard disk
100.100.200.12	2000 GB hard disk
100.900.01	Installation of a HDD, incl. function, long-term-, and final test; acceptance and approval

Activations	
004.010.2.FS	Activation of additional 2 analogue channels (in addition to 4 activated channels)
004.101.2.FS	Activation of additional 2 analogue channels (in addition to 6 activated channels)
100.102.FS	D/N-RC - Day/Night Remote Control
200.116FS	Audio for all channels
200.117FS	PRemote PDA, PRemote advance required
200.118FS	PView / PRemote live split recording
200.119FS	Voice Talk - bidirectional audio, PRemote advance required
200.122FS	PRemote advance
200.202FS.4	DVR4 EBU standard image transmission
200.210.FS	DCCP - Dallmeier Camera Control Protocol-
200.234FS	VNC server



# DLS 8



The DLS 8 is a stand-alone H.264 audio and video recorder with up to 8 analogue channels.

- Up to 8 analogue video channels
- PentaplexPlus functionality: Simultaneous real-time recording, streaming, live display, playback and remote access
- H.264 video compression and G.722 audio compression
- Bit rate up to 1.5 Mbps
- Resolution up to 4CIF
- Frame rate per channel up to 12 fps at CIF
- Evaluation with SeMSy® or PView 7 via Ethernet
- Integrated management software PView 7 Light
- Integrated SmartFinder, privacy zones and motion detection
- Integrated UTC compatibility
- Exchangeable hard disks: up to 2x 3,5" HDDs (optional)
- Easy-Change functionality in case of HDD failure
- Linux operating system on Flash memory
- DIN EN 50130-4 compliant

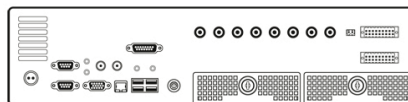
Variants	
008.000.000.008	DLS 8 without HDDs 8x analogue video channels
	Please note that HDDs must be ordered separately!

Options	
000.120	19" bracket, for a 2HU single device
200.128FS	Internal RAID 1, 2x HDDs with the same capacity required (only ex factory)
200.338	Filter pad, 2HU (5 pieces)
702.044	DVD+RW Drive
124.002.01	TA-24 MS multi screen, for using CVBS monitors incl. split switching. More information can be found in our Partner Forum under "Documentations".
129.303	VSC-1 (Video System Controller), for the control of cameras at the recorder
129.305.3	Joystick, Tri-axial joystick, only in combination with PView 7 Light or PView 7
200.325	DFM-1-USB radio clock unit, Radio clock unit on USB (up software version: V5.1.X)
100.039	Power supply unit for DNI interfaces and TA-24
100.100.05.0.12	500 GB hard disk
100.100.075.12	750 GB hard disk
100.100.100.12	1000 GB hard disk
100.100.200.12	2000 GB hard disk
100.900.01	Installation of a HDD, incl. function, long-term-, and final test; acceptance and approval

Activations	
100.102.FS	D/N-RC - Day/Night Remote Control
200.116FS	Audio for all channels
200.117FS	PRemote PDA, PRemote advance required
200.118FS	PView / PRemote live split recording
200.119FS	Voice Talk - bidirectional audio, PRemote advance required
200.122FS	PRemote advance
200.202FS.4	DVR4 EBUS standard image transmission
200.210.FS	DCCP - Dallmeier Camera Control Protocol-
200.234FS	VNC server



## DLS 8 Plus



The DLS 8 Plus is a stand-alone H.264 audio and video recorder with up to 8 analogue channels. Furthermore, the DLS 8 Plus is optimised for recording with high frame rates at high resolution.

- Up to 8 analogue video channels
- PentaplexPlus functionality: Simultaneous real-time recording, streaming, live display, playback and remote access
- H.264 video compression and G.722 audio compression
- Bit rate up to 2 Mbps
- Resolution up to 4CIF
- Frame rate per channel up to 12 fps at 4CIF
- Evaluation with SeMSy® or PView 7 via Ethernet
- Integrated management software PView 7 Light
- Integrated SmartFinder, privacy zones and motion detection
- Integrated UTC compatibility
- Exchangeable hard disks: up to 2x 3,5" HDDs (optional)
- Easy-Change functionality in case of HDD failure
- Linux operating system on Flash memory
- DIN EN 50130-4 compliant

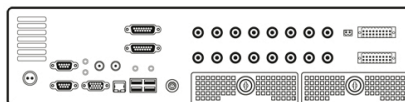
Variants	
008.001.000.008	DLS 8 Plus without HDDs 8x analogue video channels
	Please note that HDDs must be ordered separately!

Options	
000.120	19" bracket, for a 2HU single device
200.128FS	Internal RAID 1, 2x HDDs with the same capacity required (only ex factory)
200.338	Filter pad, 2HU (5 pieces)
702.044	DVD+RW Drive
124.002.01	TA-24 MS multi screen, for using CVBS monitors incl. split switching, More information can be found in our Partner Forum under "Documentations".
129.303	VSC-1 (Video System Controller), for the control of cameras at the recorder
129.305.3	Joystick, Tri-axial joystick, only in combination with PView 7 Light or PView 7
200.325	DFM-1-USB radio clock unit, Radio clock unit on USB (up software version: V5.1.X)
100.039	Power supply unit for DNI interfaces and TA-24
100.100.050.12	500 GB hard disk
100.100.075.12	750 GB hard disk
100.100.100.12	1000 GB hard disk
100.100.200.12	2000 GB hard disk
100.900.01	Installation of a HDD, incl. function, long-term-, and final test; acceptance and approval

Activations	
100.102.FS	D/N-RC - Day/Night Remote Control
200.116FS	Audio for all channels
200.117FS	PRemote PDA, PRemote advance required
200.118FS	PView / PRemote live split recording
200.119FS	Voice Talk - bidirectional audio, PRemote advance required
200.122FS	PRemote advance
200.202FS.4	DVR4 EBUS standard image transmission
200.210.FS	DCCP -Dallmeier Camera Control Protocol-
200.234FS	VNC server



# DLS 16



The DLS 16 is a stand-alone H.264 audio and video recorder with up to 16 analogue channels.

- Up to 16 analogue video channels
- PentaplexPlus functionality: Simultaneous real-time recording, streaming, live display, playback and remote access
- H.264 video compression and G.722 audio compression
- Bit rate up to 1.5 Mbps
- Resolution up to 4CIF
- Frame rate per channel up to 12 fps at CIF
- Evaluation with SeMSy® or PView 7 via Ethernet
- Integrated management software PView 7 Light
- Integrated SmartFinder, privacy zones and motion detection
- Integrated UTC compatibility
- Exchangeable hard disks: up to 2x 3,5" HDDs (optional)
- Easy-Change functionality in case of HDD failure
- Linux operating system on Flash memory
- DIN EN 50130-4 compliant

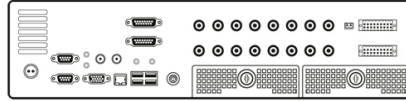
Variants	
016.000.000.016	DLS 16 without HDDs 16x analogue video channels  Please note that HDDs must be ordered separately!

Options	
000.120	19" bracket, for a 2HU single device
200.128FS	Internal RAID 1, 2x HDDs with the same capacity required (only ex factory)
200.338	Filter pad, 2HU (5 pieces)
702.044	DVD+RW Drive
124.002.01	TA-24 MS multi screen, for using CVBS monitors incl. split switching. More information can be found in our Partner Forum under "Documentations".
129.303	VSC-1 (Video System Controller), for the control of cameras at the recorder
129.305.3	Joystick, Tri-axial joystick, only in combination with PView 7 Light or PView 7
200.325	DFM-1-USB radio clock unit, Radio clock unit on USB (up software version: V5.1.X)
100.039	Power supply unit for DNI interfaces and TA-24
100.100.05.0.12	500 GB hard disk
100.100.075.12	750 GB hard disk
100.100.100.12	1000 GB hard disk
100.100.200.12	2000 GB hard disk
100.900.01	Installation of a HDD, incl. function, long-term-, and final test; acceptance and approval

Activations	
100.102.FS	D/N-RC - Day/Night Remote Control
200.116FS	Audio for all channels
200.117FS	PRemote PDA, PRemote advance required
200.118FS	PView / PRemote live split recording
200.119FS	Voice Talk - bidirectional audio, PRemote advance required
200.122FS	PRemote advance
200.202FS.4	DVR4 EBUS standard image transmission
200.210.FS	DCCP - Dallmeier Camera Control Protocol-
200.234FS	VNC server



## DLS 16 Plus



The DLS 16 Plus is a stand-alone H.264 audio and video recorder with up to 16 analogue channels. Furthermore, the DLS 16 Plus is optimised for recording with high frame rates at high resolution.

- Up to 16 analogue video channels
- PentaplexPlus functionality: Simultaneous real-time recording, streaming, live display, playback and remote access
- H.264 video compression and G.722 audio compression
- Bit rate up to 2 Mbps
- Resolution up to 4CIF
- Frame rate per channel up to 12 fps at 4CIF
- Evaluation with SeMSy® or PView 7 via Ethernet
- Integrated management software PView 7 Light
- Integrated SmartFinder, privacy zones and motion detection
- Integrated UTC compatibility
- Exchangeable hard disks: up to 2x 3,5" HDDs (optional)
- Easy-Change functionality in case of HDD failure
- Linux operating system on Flash memory
- DIN EN 50130-4 compliant

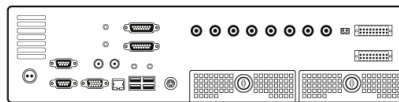
Variants	
016.001.000.016	DLS 16 Plus without HDDs 16x analogue video channels
	Please note that HDDs must be ordered separately!

Options	
000.120	19" bracket, for a 2HU single device
200.128FS	Internal RAID 1, 2x HDDs with the same capacity required (only ex factory)
200.338	Filter pad, 2HU (5 pieces)
702.044	DVD+RW Drive
124.002.01	TA-24 MS multi screen, for using CVBS monitors incl. split switching, More information can be found in our Partner Forum under "Documentations".
129.303	VSC-1 (Video System Controller), for the control of cameras at the recorder
129.305.3	Joystick, Tri-axial joystick, only in combination with PView 7 Light or PView 7
200.325	DFM-1-USB radio clock unit, Radio clock unit on USB (up software version: V5.1.X)
100.039	Power supply unit for DNI interfaces and TA-24
100.100.050.12	500 GB hard disk
100.100.075.12	750 GB hard disk
100.100.100.12	1000 GB hard disk
100.100.200.12	2000 GB hard disk
100.900.01	Installation of a HDD, incl. function, long-term-, and final test; acceptance and approval

Activations	
100.102.FS	D/N-RC - Day/Night Remote Control
200.116FS	Audio for all channels
200.117FS	PRemote PDA, PRemote advance required
200.118FS	PView / PRemote live split recording
200.119FS	Voice Talk - bidirectional audio, PRemote advance required
200.122FS	PRemote advance
200.202FS.4	DVR4 EBUS standard image transmission
200.210.FS	DCCP -Dallmeier Camera Control Protocol-
200.234FS	VNC server



## DLS 4 Bank



The DLS 4 Bank is a stand-alone H.264 audio and video recorder with up to 8 analogue channels. The basic version with 4 analogue channels can be expanded by 2/4 analogue channels with an activation code. Furthermore, the DLS 4 Bank is optimised for use in banks due to its special system parameters and certifications.

- Up to 8 analogue video channels
- PentaplexPlus functionality: Simultaneous real-time recording, streaming, live display, playback and remote access
- H.264 video compression and G.722 audio compression
- Bit rate up to 1.5 Mbps
- Resolution up to 4CIF
- Frame rate per channel up to 12 fps at CIF
- Evaluation with SeMSy® or PView 7 via Ethernet
- Integrated management software PView 7 Light
- Integrated SmartFinder, privacy zones, motion detection and SEDOR® camera sabotage protection
- Bank browser and integrated UTC compatibility
- Integrated VNC server for picture transfer via network
- Exchangeable hard disks: up to 2x 3,5" HDDs (optional)
- Easy-Change functionality in case of HDD failure
- Linux operating system on Flash memory
- UVV-Kassen certified and DIN EN 50130-4 compliant

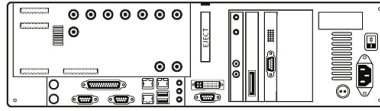
Variants	
004.011.000.004	DLS 4 Bank without HDDs 4x analogue video channels
	Please note that HDDs must be ordered separately!

Options	
000.120	19" bracket, for a 2HU single device
200.128FS	Internal RAID 1, 2x HDDs with the same capacity required (only ex factory)
200.338	Filter pad, 2HU (5 pieces)
702.044	DVD+RW Drive
124.002.01	TA-24 MS multi screen, for using CVBS monitors incl. split switching, More information can be found in our Partner Forum under "Documentations".
129.303	VSC-1 (Video System Controller), for the control of cameras at the recorder
129.305.3	Joystick, Tri-axial joystick, only in combination with PView 7 Light or PView 7
200.325	DFM-1-USB radio clock unit, Radio clock unit on USB (up software version: V5.1.X)
100.034	DNI-1 basis set, for the connection of an external data interface (such as ATM, access control, cash register, etc.), More information can be found in our Partner Forum under "Documentations".
100.035	DNI-1/E expansion module
100.039	Power supply unit for DNI interfaces and TA-24
100.100.05.0.12	500 GB hard disk
100.100.075.12	750 GB hard disk
100.100.100.12	1000 GB hard disk
100.100.200.12	2000 GB hard disk
100.900.01	Installation of a HDD, incl. function, long-term-, and final test; acceptance and approval

Activations	
004.010.2.FS	Activation of additional 2 analogue channels (in addition to 4 activated channels)
004.101.2.FS	Activation of additional 2 analogue channels (in addition to 6 activated channels)
100.101.FS	ATM activity survey
100.102.FS	D/N-RC - Day/Night Remote Control
200.116FS	Audio for all channels
200.117FS	PRemote PDA, PRemote advance required
200.118FS	PView / PRemote live split recording
200.119FS	Voice Talk - bidirectional audio, PRemote advance required
200.122FS	PRemote advance
200.130	SNMP (SI-package SYS-Watch)
200.202FS.4	DVR4 EBUS standard image transmission
200.210.FS	DCCP - Dallmeier Camera Control Protocol-



## DMS 8o Bank



The DMS 8o Bank is a stand-alone H.264 audio and video recorder with up to 8 analogue channels. Furthermore, the DMS 8o Bank is optimised for use in banks due to its special system parameters and certifications.

- Up to 8 analogue video channels
- PentaplexPlus functionality: Simultaneous real-time recording and streaming, live display, playback and remote access
- H.264 video compression and G.722 audio compression
- Bit rate up to 1.5 Mbps
- Resolution up to 4CIF
- Frame rate per channel up to 12 fps at CIF
- Evaluation with SeMSy® or PView 7 via Ethernet
- Integrated management software PView 7 Light
- Integrated SmartFinder, privacy zones, motion detection and SEDOR® camera sabotage protection
- Bank browser and integrated UTC compatibility
- Integrated ATM activity survey
- Integrated VNC server for picture transfer via network
- Exchangeable hard disks: up to 2x 3,5" HDDs (optional)
- Easy-Change functionality in case of HDD failure
- Linux operating system on Flash memory
- UVV-Kassen certified and DIN EN 50130-4 compliant

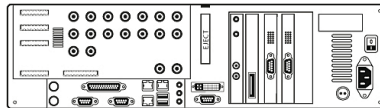
Variants	
080.001.000.008	DMS 8o Bank without HDDs 8x analogue video channels
	Please note that HDDs must be ordered separately!

Options	
000.194	19" bracket, for a 3HU single device
180.900	VdS installation kit, incl. mounting kit and protective cover for the connections
200.128FS	Internal RAID 1, 2x HDDs with the same capacity required (only ex factory)
200.337	Filter pad, 3HU (5 pieces)
010.240	DVI digital output
200.210.1	RS485 kit, for the direct control of Dallmeier PTZ dome cameras at the recorder, -DCCP activation included- (only ex factory)
702.043	Slimline DVD+RW drive
124.002.01	TA-24 MS multi screen, for using CVBS monitors incl. split switching. More information can be found in our Partner Forum under "Documentations".
129.303	VSC-1 (Video System Controller), for the control of cameras at the recorder
200.325	DFM-1-USB radio clock unit, Radio clock unit on USB (up software version: V5.1.X)
100.034	DNI-1 basis set, for the connection of an external data interface (such as ATM, access control, cash register, etc.). More information can be found in our Partner Forum under "Documentations".
100.035	DNI-1/E expansion module
100.050	DNI-TA24, for connecting the TA-24 MS keyboard
100.039	Power supply unit for DNI interfaces and TA-24
100.100.050.12	500 GB hard disk
100.100.075.12	750 GB hard disk
100.100.100.12	1000 GB hard disk
100.100.200.12	2000 GB hard disk
100.900.01	Installation of a HDD, incl. function, long-term-, and final test; acceptance and approval

Activations	
100.102.FS	D/N-RC - Day/Night Remote Control
200.116FS	Audio for all channels
200.117FS	PRemote PDA, PRemote advance required
200.118FS	PView / PRemote live split recording
200.119FS	Voice Talk - bidirectional audio, PRemote advance required
200.122FS	PRemote advance
200.130	SNMP (SI-package SYS-Watch)
200.202FS.4	DVR4 EBUS standard image transmission



## DMS 160 Bank



The DMS 160 Bank is a stand-alone H.264 audio and video recorder with up to 16 analogue channels. Furthermore, the DMS 160 Bank is optimised for use in banks due to its special system parameters and certifications.

- Up to 16 analogue video channels
- PentaplexPlus functionality: Simultaneous real-time recording, streaming, live display, playback and remote access
- H.264 video compression and G.722 audio compression
- Bit rate up to 1.5 Mbps
- Resolution up to 4CIF
- Frame rate per channel up to 12 fps at CIF
- Evaluation with SeMSy® or PView 7 via Ethernet
- Integrated management software PView 7 Light
- Integrated SmartFinder, privacy zones, motion detection and SEDOR® camera sabotage protection
- Bank browser and integrated UTC compatibility
- Integrated ATM activity survey
- Integrated VNC server for picture transfer via network
- Exchangeable hard disks: up to 2x 3,5" HDDs (optional)
- Easy-Change functionality in case of HDD failure
- Linux operating system on Flash memory
- UVV-Kassen certified and DIN EN 50130-4 compliant

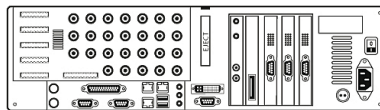
Variants	
160.001.000.016	DMS 160 Bank without HDDs 16x analogue video channels
	Please note that HDDs must be ordered separately!

Options	
000.194	19" bracket, for a 3HU single device
180.900	VdS installation kit, incl. mounting kit and protective cover for the connections
200.128FS	Internal RAID 1, 2x HDDs with the same capacity required (only ex factory)
200.337	Filter pad, 3HU (5 pieces)
010.240	DVI digital output
200.210.1	RS485 kit, for the direct control of Dallmeier PTZ dome cameras at the recorder, -DCCP activation included- (only ex factory)
702.043	Slimline DVD+RW drive
124.002.01	TA-24 MS multi screen, for using CVBS monitors incl. split switching. More information can be found in our Partner Forum under "Documentations".
129.303	VSC-1 (Video System Controller), for the control of cameras at the recorder
129.305.3	Joystick, Tri-axial joystick, only in combination with PView 7 Light or PView 7
200.325	DFM-1-USB radio clock unit, Radio clock unit on USB (up software version: V5.1.X)
100.034	DNI-1 basis set, for the connection of an external data interface (such as ATM, access control, cash register, etc.). More information can be found in our Partner Forum under "Documentations".
100.035	DNI-1/E expansion module
100.050	DNI-TA24, for connecting the TA-24 MS keyboard
100.039	Power supply unit for DNI interfaces and TA-24
100.100.050.12	500 GB hard disk
100.100.075.12	750 GB hard disk
100.100.100.12	1000 GB hard disk
100.100.200.12	2000 GB hard disk
100.900.01	Installation of a HDD, incl. function, long-term-, and final test; acceptance and approval

Activations	
100.102.FS	D/N-RC - Day/Night Remote Control
200.116FS	Audio for all channels
200.117FS	PRemote PDA, PRemote advance required
200.118FS	PView / PRemote live split recording
200.119FS	Voice Talk - bidirectional audio, PRemote advance required
200.122FS	PRemote advance
200.130	SNMP (SI-package SYS-Watch)
200.202FS.4	DVR4 EBUS standard image transmission



## DMS 240 Bank



The DMS 240 Bank is a stand-alone H.264 audio and video recorder with up to 24 analogue channels. The basic version with 8 analogue channels can be expanded by 8 or 16 analogue channels respectively. Furthermore, the DMS 240 Bank is optimised for use in banks due to its special system parameters and certifications.

- Up to 24 analogue video channels
- PentaplexPlus functionality: Simultaneous real-time recording, streaming, live display, playback and remote access
- H.264 video compression and G.722 audio compression
- Bit rate up to 2 Mbps
- Resolution up to 4CIF
- Frame rate per channel up to 25 fps at CIF
- Evaluation with SeMSy® or PView 7 via Ethernet
- Integrated management software PView 7 Light
- Integrated SmartFinder, privacy zones, motion detection and SEDOR® camera sabotage protection
- Bank browser and integrated UTC compatibility
- Integrated ATM activity survey
- Integrated VNC server for picture transfer via network
- Exchangeable hard disks: up to 2x 3,5" HDDs (optional)
- Easy-Change functionality in case of HDD failure
- Linux operating system on Flash memory
- UVV-Kassen certified and DIN EN 50131-4 compliant

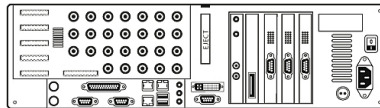
Variants	
240.001.000.008	DMS 240 Bank without HDDs 8x analogue video channels  Please note that HDDs must be ordered separately!
240.001.000.016	DMS 240 Bank without HDDs 16x analogue video channels  Please note that HDDs must be ordered separately!
240.001.000.024	DMS 240 Bank without HDDs 24x analogue video channels  Please note that HDDs must be ordered separately!

Options	
000.194	19" bracket, for a 3HU single device
180.900	VdS installation kit, incl. mounting kit and protective cover for the connections
200.128FS	Internal RAID 1, 2x HDDs with the same capacity required (only ex factory)
200.337	Filter pad, 3HU (5 pieces)
010.240	DVI digital output
200.210.1	RS485 kit, for the direct control of Dallmeier PTZ dome cameras at the recorder, -DCCP activation included- (only ex factory)
702.043	Slimline DVD+RW drive
124.002.01	TA-24 MS multi screen, for using CVBS monitors incl. split switching, More information can be found in our Partner Forum under "Documentations".
129.303	VSC-1 (Video System Controller), for the control of cameras at the recorder
129.305.3	Joystick, Tri-axial joystick, only in combination with PView 7 Light or PView 7
200.325	DFM-1-USB radio clock unit, Radio clock unit on USB (up software version: V5.1.X)
100.034	DNI-1 basis set, for the connection of an external data interface (such as ATM, access control, cash register, etc.), More information can be found in our Partner Forum under "Documentations".
100.035	DNI-1/E expansion module
100.050	DNI-TA24, for connecting the TA-24 MS keyboard
100.039	Power supply unit for DNI interfaces and TA-24
100.100.050.12	500 GB hard disk
100.100.075.12	750 GB hard disk
100.100.100.12	1000 GB hard disk
100.100.200.12	2000 GB hard disk
100.900.01	Installation of a HDD, incl. function, long-term-, and final test; acceptance and approval

Activations	
100.102.FS	D/N-RC - Day/Night Remote Control
200.117.FS	PRemote PDA, PRemote advance required
200.118.FS	PView / PRemote live split recording
200.119.FS	Voice Talk - bidirectional audio, PRemote advance required
200.120.FS	Dual Stream
200.122.FS	PRemote advance
200.130	SNMP (SI-package SYS-Watch)
200.202.FS.4	DVR4 EBUS standard image transmission



## DMS 240 HSR Bank



The DMS 240 HSR Bank is a stand-alone H.264 audio and video recorder with up to 24 analogue channels. The basic version with 8 analogue channels can be expanded by 8 or 16 analogue channels respectively. The DMS 240 HSR Bank (High Speed, High Resolution) is optimised for recording with high frame rates at high resolution. Furthermore, the DMS 240 HSR Bank is optimised for use in banks due to its special system parameters and certifications.

- Up to 24 analogue video channels
- PentaplexPlus functionality: Simultaneous real-time recording, streaming, live display, playback and remote access
- H.264 video compression and G.722 audio compression
- Bit rate up to 2 Mbps
- Resolution up to 4CIF
- Frame rate per channel up to 25 fps at 4CIF
- Evaluation with SeMSy® or PView 7 via Ethernet
- Integrated management software PView 7 Light
- Integrated SmartFinder, privacy zones, motion detection and SEDOR® camera sabotage protection
- Bank browser and integrated UTC compatibility
- Integrated ATM activity survey
- Integrated VNC server for picture transfer via network
- Exchangeable hard disks: up to 2x 3,5" HDDs (optional)
- Easy-Change functionality in case of HDD failure
- Linux operating system on Flash memory
- UVV-Kassen certified and DIN EN 50130-4 compliant

Variants	
240.002.000.008	DMS 240 HSR Bank without HDD 8x analogue video channels  Please note that HDDs must be ordered separately!
240.002.000.016	DMS 240 HSR Bank without HDD 16x analogue video channels  Please note that HDDs must be ordered separately!
240.002.000.024	DMS 240 HSR Bank without HDD 24x analogue video channels  Please note that HDDs must be ordered separately!

Options	
000.194	19" bracket, for a 3HU single device
180.900	VdS installation kit, incl. mounting kit and protective cover for the connections
200.128FS	Internal RAID 1, 2x HDDs with the same capacity required (only ex factory)
200.337	Filter pad, 3HU (5 pieces)
010.240	DVI digital output
200.210.1	RS485 kit, for the direct control of Dallmeier PTZ dome cameras at the recorder, -DCCP activation included- (only ex factory)
702.043	Slimline DVD+RW drive
124.002.01	TA-24 MS multi screen, for using CVBS monitors incl. split switching, More information can be found in our Partner Forum under "Documentations".
129.303	VSC-1 (Video System Controller), for the control of cameras at the recorder
129.305.3	Joystick, Tri-axial joystick, only in combination with PView 7 Light or PView 7
200.325	DFM-1-USB radio clock unit, Radio clock unit on USB (up software version: V5.1.X)
100.034	DNI-1 basis set, for the connection of an external data interface (such as ATM, access control, cash register, etc.), More information can be found in our Partner Forum under "Documentations".
100.035	DNI-1/E expansion module
100.050	DNI-TA24, for connecting the TA-24 MS keyboard
100.039	Power supply unit for DNI interfaces and TA-24
100.100.050.12	500 GB hard disk
100.100.075.12	750 GB hard disk
100.100.100.12	1000 GB hard disk
100.100.200.12	2000 GB hard disk
100.900.01	Installation of a HDD, incl. function, long-term-, and final test; acceptance and approval

Activations	
100.102.FS	D/N-RC - Day/Night Remote Control
200.117FS	PRemote PDA, PRemote advance required
200.118FS	PView / PRemote live split recording
200.119FS	Voice Talk - bidirectional audio, PRemote advance required
200.120FS	Dual Stream
200.122FS	PRemote advance
200.130	SNMP (SI-package SYS-Watch)
200.202FS.4	DVR4 EBÜS standard image transmission



## Hard disks



We provide you with high-value hard disks for professional security applications. The choice is yours between loose HDDs without installation or HDDs already fitted by Dallmeier.

### Hard disks for security applications

As opposed to hard disks that are available for purchase, all Dallmeier hard disks are specifically designated for 24-hour security applications. Comprehensive stress tests and stringent quality controls ensure that the hard disks are measure up to the load associated with a permanent operation.

As a matter of fact a hard disk which is to be used for permanent recording in security applications is exposed to high stress and is thus subject to highest wear and tear.

### Quality control

- Before a hard disk model is cleared, it is thoroughly tested according to the Dallmeier testing regulations.
- Every delivered batch of hard disks is subjected to an incoming control prior to being used; no matter if the hard disks are meant for fitting or replacement parts shipments.
- Once a hard disk is fitted into a recording system the first function test is carried out (recording and display).
- Subsequently a long-term test of at least 24 hours is carried out (image recording).
- Only then the final test of the recording system is conducted. The recordings made are also tested as are the image display and the search function.
- Following the final test the technically responsible employee counter-checks the positive result and clears the recording device for shipment.

### Please note:

- Always use hard disks of the same capacity (GB)!
- The DLS/DMS/PVS/VNS models can optionally be fitted with 1 HDD or 2HDDs of the same storage capacity!
- The DAS-4 can optionally be equipped with 1 HDD up to a maximum of 4 HDDs. In doing so, use the same storage capacity as is used in the recording device!

Variants	
100.100.050.12	500 GB hard disk
100.100.075.12	750 GB hard disk
100.100.100.12	1000 GB hard disk
100.100.200.12	2000 GB hard disk

Options	
100.900.01	Installation of a HDD, incl. function, long-term-, and final test; acceptance and approval
100.900.02	Preparation for connection of external storage systems (e.g. DAS-3 03), incl. storage function, hardware interface, interface function test. Please note: Hard disks and installation of HDDs respectively must be ordered separately.

## DAS-3 03



The DAS-3 03 is a powerful external FC-SATA storage system for connection to recorders of the DMS series. Thanks to its redundant, modular design with hot-swappable components, its innovative storage management software and a flexible interface support with highly reliable storage devices it offers a high performance security solution with highest scalability and functionality. Its 2HU housing can contain max. 12 SATA HDDs in lockable slide-in units. They can be configured for redundant recording with the integrated graphical user interface (web browser).

- The system is ready for operation incl. particularly suited and Dallmeier approved and authorised HDDs
- Can be equipped with up to 4 expansion housings with a total maximum number of 60 hard drives, expansion via SAS
- Standard RAID level 5 (RAID level 0, 1, 10 and 50 upon request)
- Gross capacity (for 1 TB HDD): 12 TB (net: 10 TB)
- Installed RAID controller supports RAID level 0, 1, 5, 10, 50
- Installed FC controller for external connection
- Up to 2x 4 GB/s FC interface
- Hot-spare functionality and automatic rebuild
- Hot-plug functionality: HDDs, power supply units and fans can be exchanged during operation
- Alarm function via PGuard on hard disk, fan and power supply unit failure
- Management and alarm via installed Ethernet interface possible
- Requirements: 1.) Software version from 6.0.9 (for hybrid recorders) / 2.) Air-conditioned dust-free environment, server environment is ideal

Variants	
180.3 03.2.0700.07	DAS-3 03 7000 with 7x 1000 GB HDDs Net storage capacity: approx. 5000 GB
180.3 03.2.0800.08	DAS-3 03 8000 with 8x 1000 GB HDDs Net storage capacity: approx. 6000 GB
180.3 03.2.0900.09	DAS-3 03 9000 with 9x 1000 GB HDDs Net storage capacity: approx. 7000 GB
180.3 03.2.1000.10	DAS-3 03 10000 with 10x 1000 GB HDDs Net storage capacity: approx. 8000 GB
180.3 03.2.1100.11	DAS-3 03 11000 with 11x 1000 GB HDDs Net storage capacity: approx. 9000 GB
180.3 03.2.1200.12	DAS-3 03 12000 with 12x 1000 GB HDDs Net storage capacity: approx. 10000 GB

Options	
180.3 02.102	DAS-3 0X FC wire LC-LC 3m
180.3 02.103	Configuration of the DAS-3 0X storage extension, by Dallmeier employees
180.3 02.104	StorView Global Manager, this activation is serial number dependent
180.3 02.ZC	Additional controller for DAS-3 00E
180.3 03.1000	1x 1000 GB HDD incl. removable tray

## DAS-300 E



The DAS-300 E is an extension for the DAS-303 external storage system. Its 2HU housing can contain max. 12 SATA hard disks in lockable slide-in units. Up to four DAS-300 E can be cascaded to extend a DAS-303 storage system. Thus the total memory capacity of the external storage system can be enlarged upon 60 SATA HDDs (currently up to 60 TB gross).

- For extending the storage capacity of the DAS-303
- External storage system for connection of a DAS-303 basic housing or a DAS-300 E for cascading
- Max. of 12 HDDs can be used
- The system is ready for operation incl. particularly suited and Dallmeier approved and authorised HDDs
- Standard RAID level 5 (RAID level 0, 1, 10 and 50 upon request)

Variants	
180.302.3.0700.07	DAS-300 E 7000 with 7x 1000 GB HDDs Net storage capacity: approx. 5000 GB
180.302.3.0800.08	DAS-300 E 8000 with 8x 1000 GB HDDs Net storage capacity: approx. 6000 GB
180.302.3.0900.09	DAS-300 E 9000 with 9x 1000 GB HDDs Net storage capacity: approx. 7000 GB
180.302.3.1000.10	DAS-300 E 10000 with 10x 1000 GB HDDs Net storage capacity: approx. 8000 GB
180.302.3.1100.11	DAS-300 E 11000 with 11x 1000 GB HDDs Net storage capacity: approx. 9000 GB
180.302.3.1200.12	DAS-300 E 12000 with 12x 1000 GB HDDs Net storage capacity: approx. 10000 GB

Options	
180.302.1000	1x 1000 GB HDD incl. removable tray
180.302.102	DAS-30X FC wire LC-LC 3m
180.302.103	Configuration of the DAS-30X storage extension, by Dallmeier employees
180.302.104	StorView Global Manager, this activation is serial number dependent
180.302.ZC	Additional controller for DAS-300E

## DAS-4 Eco



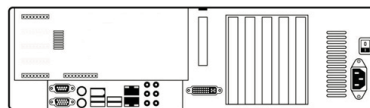
The DAS-4 Eco is a practice oriented and economic storage expansion for the recorders of the DMS series "In Memory of Leonardo". The housing, which is only 1HU, can contain max. 4 SATA HDDs in lockable slide-in units with a maximum total capacity of 4 TB. They can be configured for redundant RAID 1 recording with the recorder. The HDDs can be replaced from the front of the recorder and in case of a hard disk failure the Easy-Change functionality ensures greatest ease of maintenance. Two redundant high performance fans guarantee optimal ventilation. Power is supplied directly via the 12V DC output of the recorder. An additional power supply unit is not necessary.

- 4 lockable slots for Dallmeier approved and authorised SATA HDDs
- RAID 1 (configuration via recorder)
- Easy-Change functionality in case of HDD failure (no hot-plug, no hot-swap)
- 2 redundant high performance fans
- Power supply via recorder (12V DC output)
- Data transfer via SATA extension interface
- Easy installation (plug&play)
- Practice oriented handling

Variants	
180.400.1.000.000	DAS-4 Eco without HDDs
Please note that HDDs must be ordered separately!	

Options	
000.215	19" bracket, for a 1HU single device
100.118	Power supply unit, 110-240V AC on 12V DC
100.100.05.0.12	500 GB hard disk
100.100.075.12	750 GB hard disk
100.100.100.12	1000 GB hard disk
100.100.200.12	2000 GB hard disk
100.900.01	Installation of a HDD, incl. function, long-term-, and final test; acceptance and approval
100.900.02	Preparation for connection of external storage systems (e.g. DAS-303), incl. storage function, hardware interface, interface function test. Please note: Hard disks and installation of HDDs respectively must be ordered separately.

## PView Station PVS IV Plus



The PView Station PVS IV Plus is a HD compatible stand-alone evaluation and management station for Dallmeier recorders. Its powerful Intel Core2Duo CPU enables a smooth video display with high image quality in up to 14 independent splits. The connection between PVS IV Plus and one or more Dallmeier recorders is realised via an IP based network. All necessary hardware and software is already installed and pre-configured.

- Simultaneous processing of up to 14 channels: Recording clip, decoding, live display and playback
- HD ready
- Video compression: H.264, MPEG-2/-4, MJPEG
- Audio compression: MPEG-1 Layer 2, G.722
- Resolution: SD, HD (720p, 1080i, 1080p), up to 8 MP
- Frame rate up to 25 fps at D1
- Integrated management software: PView 7
- Integrated event management software: PGuard advance
- Software protected through USB dongle
- Operating system: Windows® XP SP2, SP3
- Internal hard disks: up to 3 x 3,5" HDDs
- Integrated DVD+RW/DL drive
- DIN EN 50130-4 compliant

### Variants

200.304.1.000.0	PVS IV Plus without HDDs
Please note: At least one HDD must be ordered together with the device (for operating system and recording). You can access two additional HDDs to increase storage capacity!	

### Options

000.194	19" bracket, for a 3HU single device
200.120	Graphics card for 2x further DVI / VGA interfaces
200.128FS	Internal RAID 1, 2x HDDs with the same capacity required (only ex factory)
200.337	Filter pad, 3HU (5 pieces)
100.030	FC interface (fiber optic), for connecting DAS-303 (see storage systems), only ex factory
100.090	SATA interface, for connecting DAS-4 Eco (see storage systems), only ex factory
129.305.3	Joystick, Tri-axial joystick, only in combination with PView 7 Light or PView 7
200.325	DFM-1-USB radio clock unit, Radio clock unit on USB (up software version: V5.1.X)
100.100.050.12	500 GB hard disk
100.100.075.12	750 GB hard disk
100.100.100.12	1000 GB hard disk
100.100.200.12	2000 GB hard disk
100.900.01	Installation of a HDD, incl. function, long-term-, and final test; acceptance and approval
100.900.02	Preparation for connection of external storage systems (e.g. DAS-303), incl. storage function, hardware interface, interface function test. Please note: Hard disks and installation of HDDs respectively must be ordered separately.

## DIS-16 VarioDecoder



The DIS-16 VarioDecoder is an HD ready 16 channel audio and video decoder. It is able to receive audio and video streams from Dallmeier hybrid, H.264, Wavelet and MPEG recorders via an Ethernet network, and decode and output them as analogue audio and video signals in real-time. Furthermore, the DIS-16 VarioDecoder is an evaluation and management station for those Dallmeier recorders. All necessary hardware and software is already installed and pre-configured. The DIS-16 VarioDecoder is a stand-alone decoder in compact design (1HU). Additionally, it is designed for installation in a 19" rack mount and operation in server rooms.

- Supported video formats: MPEG-2/-4, Wavelet, H.264
- Simultaneous decoding and monitoring of up to 16 channels
- HD ready
- Up to 16x split display supported
- Resolutions: SD, HD (720p, 1080i, 1080p), up to 8 MP
- Integrated management software: PView 7 (HD ready)
- Integrated event management software: PGuard advance
- Exchangeable hard disks: up to 2x 3,5" HDDs
- Integrated Slimline DVD+RW drive
- Compact design (1HU)
- DIN EN 50130-4 compliant

### Variants

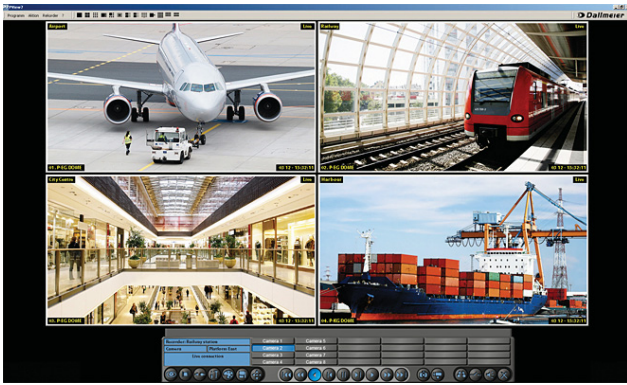
002.009.0.000	DIS-16 VarioDecoder without HDDs
Please note: At least one HDD must be ordered together with the device (for operating system and recording). You can access one additional HDD to increase storage capacity!	

### Options

200.128FS	Internal RAID 1, 2x HDDs with the same capacity required (only ex factory)
-----------	--



## PView 7



The new HD-ready software PView 7 provides you with a functional control instrument for one or more recorders. PView 7 provides many useful features and functions for video image display in the user area as well as the administration. All the digital recorder's important user options can be accessed via LAN/WAN. PView 7 therefore not only enables recorder configuration and management over the network but also extensive interrogation of current or recorded data. Live picture transmission, backup, virtual tours or synchronisation are just some of the functions which make it easy to monitor with PView 7 software. It is possible to trigger message display in the PView window through PGuard advance (central evaluation and management software for messages). The search and filter criteria set up on the recorder can be called up and used through PView 7. User-friendly functions ensure convenient operation. A variety of different picture compression processes and transmission codings (H.264, MPEG-4, H.261, Wavelet, MPEG-2, JPEG) for live and archived pictures can be decoded. It also guarantees compatibility to all the rest of the Dallmeier product range. Within the Dallmeier video management system (PView 7, PGuard advance) PView 7 takes the important role of central managing element. The PView 7 software can be installed on standard commercial PCs (Dual Core systems) or on the Dallmeier evaluation stations.

- Full HDTV
- 16:9 image format
- Integration of PRemote: Smooth transmission of images, splits etc. with a bandwidth of as low as 64 KB (UMTS stick)
- Joystick control
- EasyZoom: Digital zooming in the image possible
- Display of third-party IP cameras
- Support of matrix functionality
- Management software for camera control
- Fast access to menu functions via hot keys (shortcuts)
- Variable display formats up to 32x split
- Encrypted protocol for all actions
- Virtual tours
- Fast search possibilities
- Automatic loading of presets when program starts

Variants	
200.018.001	PView 7 1 user licence dongle protected (USB-dongle)
200.018.002	PView 7 2 user licence dongle protected (USB-dongle)
200.018.004	PView 7 4 user licence dongle protected (USB-dongle)

## PViewMobile



Once your PDA is connected to the Dallmeier recorder, the PViewMobile software ensures that pictures from all cameras connected to the recorder are displayed immediately. Even multi-picture splits are no problem; you can control dome and PTZ cameras wherever you are and the recorder relays can be switched remotely. Full playback functionality is included. To guarantee optimal picture quality and fluent display, you can set automatic or manual presets to suit the connection mode (UMTS/WLAN/GPRS) or bandwidth. The PViewMobile software is available for cost-free download in the Dallmeier Partner Forum under "Software Updates". In order to be able to use PViewMobile the activations "PDA" and "PRemote advance", which are subject to a charge, are required for the respective recorder (for Wavelet recorders "PRemote" is required respectively).

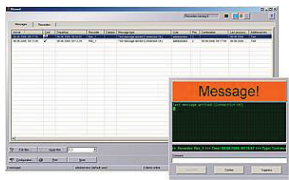
The PDA must meet the following requirements:

- Operating system: Windows Mobile 2003 SE or Windows Mobile 5.0
- Display: 240 x 320 or 480 x 640
- Available RAM: Min. 32 MB

Variants	
200.014	PViewMobile (free of charge)



## PGuard advance



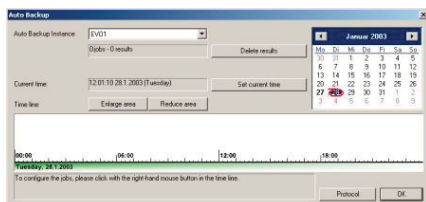
PGuard advance is a central evaluation and management software for messages (status, event, error) from one or more Dallmeier recorders, decoders, streamers or MicroStreamers. With PGuard advance it is possible to select from various types of messages certain messages to be displayed in a window together with an acoustical warning. Filter criteria (e.g. the time period, the number of recorders that shall be displayed) can also be selected. PGuard advance can be operated as a single-user solution in the server version. An extension to a multi-user solution in a LAN is always feasible with several PGuard advance clients. In this case, server and clients access the server based MySQL\* database together and simultaneously. Thereby processing status and data are being actualised in real-time. The configuration of the total system can be conducted centrally, quickly and easily. All settings can be transferred to the clients after server configuration. Then the single client settings can be adopted individually (relevant recorders, message priority, triggered actions, etc.)

Advantages PGuard advance:

- Standalone or server/client installation
- Recommended for up to 10 clients
- Integrated MySQL database
- Recommended for up to 10,000 messages
- Centrally, fast and simple configuration
- Individual and versatile client adjustment
- Recorder monitoring
- Client monitoring
- Licensing with DDS (Dallmeier Dongle Server)

Variants	
200.031	PGuard software advance 1x licence dongle protected (serial/parallel or USB dongle)
200.032	PGuard software advance 2x user licence dongle protected (serial/parallel or USB dongle)
200.033	PGuard software advance 4x user licence dongle protected (serial/parallel or USB dongle)

## AutoBackup



The AutoBackup module is used for automatic copying of recorded data on a defined server in the network. Copying is scheduled according to a certain timetable (e.g. daily at 1:00). Therefore the video surveillance system disposes of a nearly unlimited archive. The software PView AutoBackup is an extension of the control and surveillance software PView.

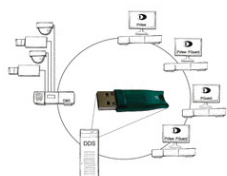
### Advantages AutoBackup:

- Supplementary password for users
- Easy user interface
- The large archive is distributed into individual files
- Automatic error correction via archive transmission in the network

Important note: This product is sold exclusively to partners and system integrators who have participated in the 1-day Dallmeier software training course. Please also obtain information online in the Dallmeier Partner Forum.

Variants	
200.216	AutoBackup Single licence Only applicable with a PView software and only for systems up the 3rd generation Please inform us about the dongle-no. of the PView software
200.225	AutoBackup 2 user licence Only applicable with a PView software and only for systems 3rd generation Please inform us about the dongle-no. of the PView software
200.226	AutoBackup 4 user licence Only applicable with a PView software and for systems up the 3rd generation Please inform us about the dongle-no. of the PView software

## Dallmeier Dongle Server



DDS (Dallmeier Dongle Server) is a central licensing software for Dallmeier PView 7 and PGuard advance in a LAN. DDS is installed on one PC of the multi-user solution in the LAN. In combination with one appropriate licence dongle up to 255 PView 7 and PGuard advance installations can be licensed and operated flexibly. DDS can be installed quickly and easily. Except for the licence key entry at the PView 7 and PGuard advance installations normally no more configurations have to be made.

- Operating system Windows XP SP 2 / Vista
- Once-only and simple installation
- No configuration required
- No hidden files
- No recourse to registry
- No installation or configuration on the client
- Licensing of up to 255 PViews and PGuards
- Flexible licence management

Variants	
200.016.010	Server dongle 10x user licence PView 7 / PGuard advance 1x server dongle
200.016.020	Server dongle 20x user licence PView 7 / PGuard advance 1x server dongle
200.016.030	Server dongle 30x user licence PView 7 / PGuard advance 1x server dongle

## SeMSy® Open Interface Connection



The SeMSy® Open Interface Connection serves the integration of third-party systems such as cash registers (MICROS\*), access control systems (MAXXESS) or point of sale systems (PoS). In addition, interfaces with game management systems (Angel Eye) and the connection to gambling machines (e.g. IGT) are possible. For any given application, SeMSy® Open Interface Connection consists of a hardware and software component as well as a customised performance.

- Hardware component: SeMSy® DataBaseEngine <sup>1)</sup>
- Software component: SeMSy® DataBaseLogic <sup>1)</sup>
- Integrated My SQL data base <sup>1)</sup>
- Customised interface adaption

<sup>1)</sup> All three components (hardware component, software component and customised performance) must be ordered separately.

Variants	
.....	Customised interface adjustment for SeMSy® DataBase (Price only on request)
200.206	DataBaseLogic + SQL-Data Bank
200.215.1	DataBaseEngine IV



## SeMSy® Pro II Extension Maps



With SeMSy® Pro II Extension Maps software the CCTV cameras that are integrated into the system can be displayed on a ground plan. Via that ground plan the cameras can be activated and displayed. Furthermore, an easy-to-use import function for the automatic assignment of the camera IDs to the numbers (layers) on the ground plan is available. Additionally, freely placeable camera symbols can be used to precisely indicate further camera locations on the site plans.

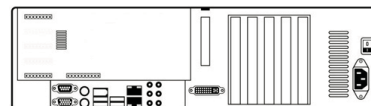
- Expansion of the SeMSy® Pro II software by camera selection function via site plans
- Easy integration of site plans (e.g. import of AutoCAD\* data) into the SeMSy® system
- A simple click on the camera symbol activates the camera on the selected monitor
- Zoom and panning functionality allow for easy navigation

### Variants

201.452	SeMSy® Pro II Extension Maps 1x licence
---------	--



## SeMSy® S-PC Plus



The SeMSy® S-PC Plus is a stand-alone evaluation and management station. SeMSy® S-PC Plus enables a smooth video display with high image quality in up to 14 independent splits. All necessary hardware and software is already installed and pre-configured.

- Simultaneous processing of up to 14 channels: Recording clip, decoding, live display and playback
- Video compression: H.264, MPEG-2/-4, MJPEG
- Audio compression: MPEG-1 Layer 2, G.722
- Resolution: SD, HD (720p, 1080i, 1080p), up to 8 MP
- Frame rate up to 25 fps at D1
- Integrated analyse software: PView 7
- Software protected through USB dongle
- Internal hard disks: up to 3 x 3,5" HDDs
- Integrated DVD+RW/DL drive
- DIN EN 50130-4 compliant

### Variants

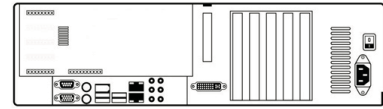
300.305.1.000.0	SeMSy® S-PC Plus without HDDs
Please note: At least one HDD must be ordered together with the device (for operating system and recording). You can access two additional HDDs to increase storage capacity!	

### Options

000.194	19" bracket, for a 3HU single device
200.031	PGuard software advance, 1x licence dongle protected (serial/parallel or USB dongle)
200.032	PGuard software advance, 2x user licence dongle protected (serial/parallel or USB dongle)
200.033	PGuard software advance, 4x user licence dongle protected (serial/parallel or USB dongle)
200.120	Graphics card for 2x further DVI / VGA interfaces
200.128FS	Internal RAID 1, 2x HDDs with the same capacity required (only ex factory)
200.337	Filter pad, 3HU (5 pieces)
100.030	FC interface (fiber optic), for connecting DAS-303 (see storage systems), only ex factory
100.100.05.0.12	500 GB hard disk
100.100.075.12	750 GB hard disk
100.100.100.12	1000 GB hard disk
100.100.200.12	2000 GB hard disk
100.900.01	Installation of a HDD, incl. function, long-term-, and final test; acceptance and approval
100.900.02	Preparation for connection of external storage systems (e.g. DAS-303), incl. storage function, hardware interface, interface function test. Please note: Hard disks and installation of HDDs respectively must be ordered separately.



## SeMSy® Pro II Workstation Plus



The SeMSy® Pro II Workstation Plus provides via the SeMSy® GUI the full control of the surveillance system including the control of virtual matrices. All necessary hardware and software is already installed and pre-configured.

- Simultaneous processing of unlimited video channels
- Backup of videos
- Playback of recorded and backed videos
- Integrated time search
- Video compression: H.264, MPEG-2/-4, MJPEG
- Audio compression: MPEG-1 Layer 2, G.722
- Resolution: SD, HD (720p, 1080i, 1080p), up to 8 MP
- Frame rate up to 25 fps at D1
- Integrated SeMSy® OPC-client software
- Integrated evaluation software: SeMSy® Pro II GUI and PView 7
- Optional Software: SeMSy® backup client, SeMSy® Extension Maps, PGuard
- Software protected through USB dongle
- Optional integration of VMC-1 (Video Management Centre)
- Internal hard disks: up to 3x 3,5" HDDs
- Integrated DVD+RW/DL drive
- DIN EN 50130-4 compliant
- The use of 2x SeMSy® Pro II Workstations Plus also requires the use of SeMSy® Pro II Server Plus

### Variants

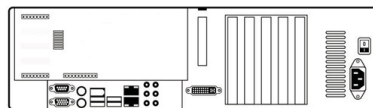
201.447.1.000.0	SeMSy® Pro II Workstation Plus without HDDs
Please note: At least one HDD must be ordered together with the device (for operating system and recording). You can access two additional HDDs to increase storage capacity!	

### Options

000.194	19" bracket, for a 3HU single device
129.304	VMC-1 (Video Management Centre)
200.120	Graphics card for 2x further DVI / VGA interfaces
200.128F5	Internal RAID 1, 2x HDDs with the same capacity required (only ex factory)
200.337	Filter pad, 3HU (5 pieces)
201.451	SeMSy® Backup-client software, 1x Licence
201.452	SeMSy® Pro II Extension Maps software, 1x licence
100.100.05.0.12	500 GB hard disk
100.100.075.12	750 GB hard disk
100.100.100.12	1000 GB hard disk
100.100.200.12	2000 GB hard disk
100.900.01	Installation of a HDD, incl. function, long-term-, and final test; acceptance and approval
100.900.02	Preparation for connection of external storage systems (e.g. DAS-303), incl. storage function, hardware interface, interface function test. Please note: Hard disks and installation of HDDs respectively must be ordered separately.



## SeMSy® Pro II Server Plus



The SeMSy® Pro II Server Plus manages all statuses, streams and connections of the surveillance system including the management of virtual matrices. All necessary software licences are already installed and pre-configured.

- Simultaneous processing of up to 1,500 video channels per 1x SeMSy® Pro II Server Plus <sup>1)</sup>
- Cascadable for an unlimited number of video channels
- Internal hard disks: up to 3x 3,5" HDDs
- Integrated DVD+RW/DL drive
- DIN EN 50130-4 compliant

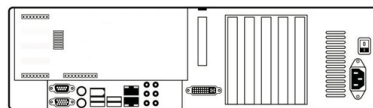
1) For every 1500x channels is 1x SeMSy® Pro II Server Plus required

Variants	
201.448.1.000.0	SeMSy® Pro II Server Plus with 1x 500 GB HDD
	Please note: At least one HDD must be ordered together with the device (for operating system and recording). You can access two additional HDDs to increase storage capacity!

Options	
000.194	19" bracket, for a 3HU single device
200.128F5	Internal RAID 1, 2x HDDs with the same capacity required (only ex factory)
200.337	Filter pad, 3HU (5 pieces)
100.100.05.0.12	500 GB hard disk
100.100.075.12	750 GB hard disk
100.100.100.12	1000 GB hard disk
100.100.200.12	2000 GB hard disk
100.900.01	Installation of a HDD, incl. function, long-term-, and final test; acceptance and approval
100.900.02	Preparation for connection of external storage systems (e.g. DAS-303), incl. storage function, hardware interface, interface function test. Please note: Hard disks and installation of HDDs respectively must be ordered separately.



## SeMSy® Pro II Backup Server Plus



SeMSy® Pro II Backup Server Plus provides the backup functionality and the storage of the backed videos. All necessary hardware and software is already installed and pre-configured.

- Integrated SeMSy® Backup-server software
- Integrated My SQL Database
- Software protected through USB dongle
- Internal hard disks: up to 3x 3,5" HDDs
- FC interface (fiber optic) for connecting the storage system DAS-303 optionally available
- Integrated DVD+RW/DL drive
- DIN EN 50130-4 compliant
- Requires SeMSy® archiving-client software on the SeMSy® Pro II workstations Plus

### Variants

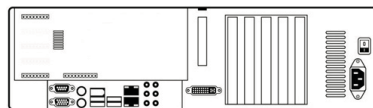
201.45 0.1.000.0	SeMSy® Pro II Backup Server Plus without HDDs
Please note: At least one HDD must be ordered together with the device (for operating system and recording). You can access two additional HDDs to increase storage capacity!	

### Options

000.194	19" bracket, for a 3HU single device
200.128F5	Internal RAID 1, 2x HDDs with the same capacity required (only ex factory)
200.337	Filter pad, 3HU (5 pieces)
100.030	FC interface (fiber optic), for connecting DAS-303 (see storage systems), only ex factory
100.100.05 0.12	500 GB hard disk
100.100.075.12	750 GB hard disk
100.100.100.12	1000 GB hard disk
100.100.200.12	2000 GB hard disk
100.900.01	Installation of a HDD, incl. function, long-term-, and final test; acceptance and approval
100.900.02	Preparation for connection of external storage systems (e.g. DAS-303), incl. storage function, hardware interface, interface function test. Please note: Hard disks and installation of HDDs respectively must be ordered separately.



## SeMSy® Pro II Setup-Server Plus



The SeMSy® Pro II Setup-Server Plus stores the main data base of the virtual matrix and provides those information to any SeMSy® component: SeMSy® Server or SeMSy® Operating Station. All necessary hardware and software is already installed and pre-configured.

- Integrated My SQL-Database
- Integrated time server software
- Internal hard disks: up to 3x 3,5" HDDs
- Integrated DVD+RW/DL drive
- DIN EN 50130-4 compliant

### Variants

201.449.1.000.0	SeMSy® Pro II Setup-Server Plus without HDDs
Please note: At least one HDD must be ordered together with the device (for operating system and recording). You can access two additional HDDs to increase storage capacity!	

### Options

000.194	19" bracket, for a 3HU single device
200.128F5	Internal RAID 1, 2x HDDs with the same capacity required (only ex factory)
200.337	Filter pad, 3HU (5 pieces)
100.100.05.0.12	500 GB hard disk
100.100.075.12	750 GB hard disk
100.100.100.12	1000 GB hard disk
100.100.200.12	2000 GB hard disk
100.900.01	Installation of a HDD, incl. function, long-term-, and final test; acceptance and approval
100.900.02	Preparation for connection of external storage systems (e.g. DAS-303), incl. storage function, hardware interface, interface function test. Please note: Hard disks and installation of HDDs respectively must be ordered separately.



## LAN switch



- Network control and bandwidth optimization
  - Network security through a wide range of authentication methods
  - Easy network configuration, upgrades and troubleshooting
  - 16 Gbps switching fabric
  - Configurable up to 8000 MAC addresses
  - Configurable up to 255 IGMP groups
- Two variants available with either 24x or 48x Ethernet 10/100 ports and additional 2x Ethernet 10/100/1000 uplink ports
  - RJ45 connectors
  - LAN switch 24/2 (switch power: 28 W, heat power: 93 BTU/h) <sup>1)</sup>
  - LAN switch 48/2 (switch power: 42 W, heat power: 141 BTU/h) <sup>1)</sup>
  - LAN switch 24/2 PoE (switch power: 433 W, PoE power: 370 W, heat power: 175 BTU/h) <sup>2)</sup>
  - LAN switch 48/4 PoE (switch power: 483 W, PoE power: 357 W, heat power: 171 BTU/h) <sup>2)</sup>

1) Measured with 100% throughput power consumption

2) Measured with 100% throughput power consumption and maximum possible PoE loads

Variants	
201.016	LAN switch 48/2 48x Ethernet 10/100 ports 2x fixed Ethernet 10/100/1000 uplink ports
201.021	LAN-Switch 24/2 PoE 24x Ethernet 10/100 ports with PoE 2x dual purpose Ethernet 10/100/1000 ports



## Backbone LAN switch



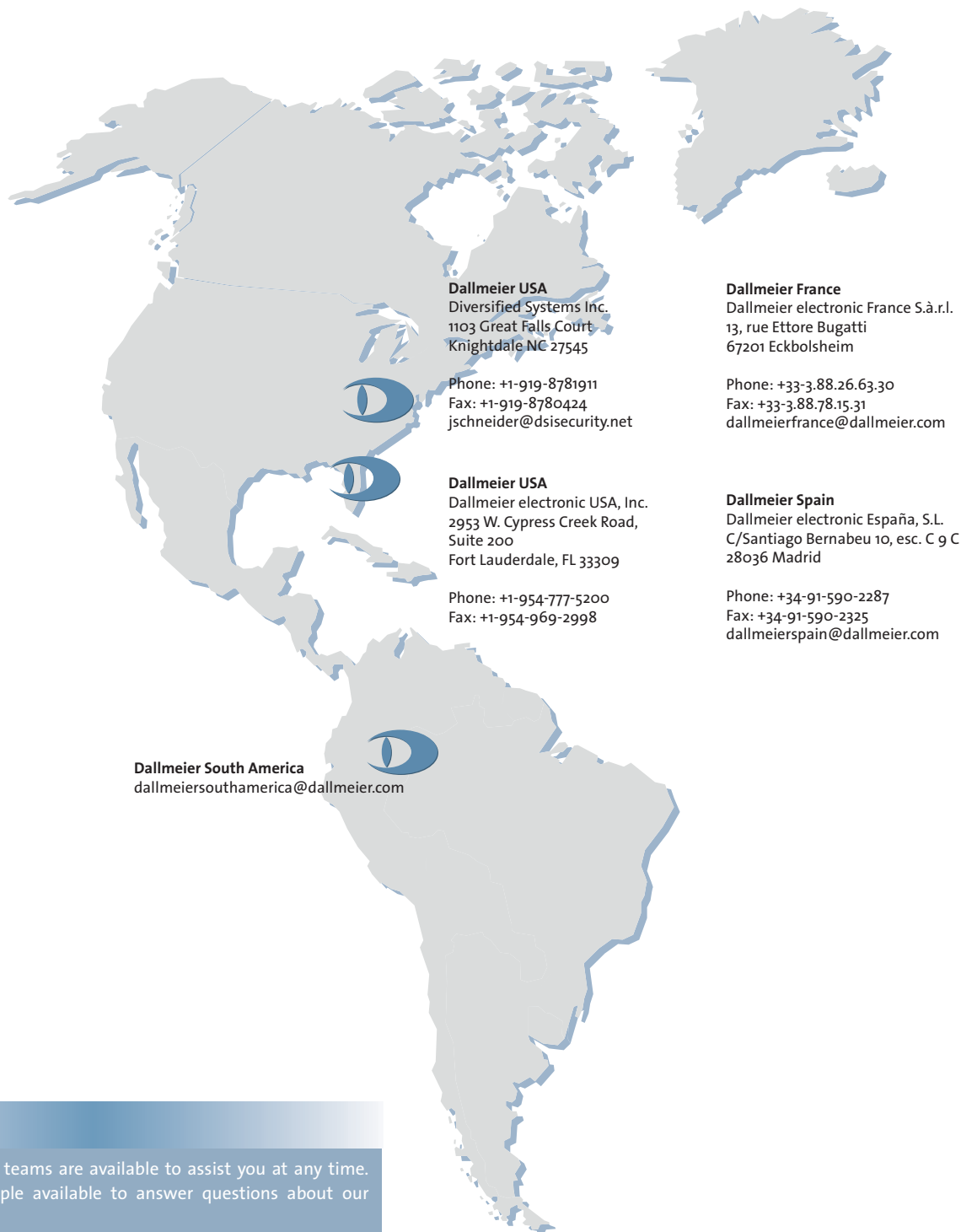
- Network control and bandwidth optimization
- Network security through a wide range of authentication methods
- Easy network configuration, upgrades and troubleshooting
- 32 Gbps switching fabric
- Configurable up to 12,000 MAC addresses
- Configurable up to 11,000 unicast routes
- Configurable up to 1000 IGMP groups
- Two variants available with either 24x or 48x Ethernet 10/100/1000 ports and additional 4x SFP-based Gigabit Ethernet ports
- RJ45 connectors
- Backbone LAN switch 24/4 (switch power: 74 W, heat power: 249 BTU/h) <sup>1)</sup>
- Backbone LAN switch 48/4 (switch power: 124 W, heat power: 422 BTU/h) <sup>1)</sup>

1) Measured with 100% throughput power consumption

Variants	
201.017	Backbone LAN switch 48/4 48x Ethernet 10/100 ports 4x SFP-based Gigabit Ethernet ports
201.018	Backbone LAN switch 24/4 24x Ethernet 10/100/1000 ports 4x SFP-based Gigabit Ethernet ports
201.020	Backbone LAN switch 48/4 PoE 48x Ethernet 10/100/1000 ports with PoE 4x SFP-based Gigabit Ethernet ports



## Local and global coverage



**Dallmeier USA**  
Diversified Systems Inc.  
1103 Great Falls Court  
Knightdale NC 27545  
Phone: +1-919-8781911  
Fax: +1-919-8780424  
jschneider@dsisecurity.net

**Dallmeier USA**  
Dallmeier electronic USA, Inc.  
2953 W. Cypress Creek Road,  
Suite 200  
Fort Lauderdale, FL 33309  
Phone: +1-954-777-5200  
Fax: +1-954-969-2998

**Dallmeier South America**  
dallmeiersouthamerica@dallmeier.com

**Dallmeier France**  
Dallmeier electronic France S.à.r.l.  
13, rue Ettore Bugatti  
67201 Eckbolsheim  
Phone: +33-3.88.26.63.30  
Fax: +33-3.88.78.15.31  
dallmeierfrance@dallmeier.com

**Dallmeier Spain**  
Dallmeier electronic España, S.L.  
C/Santiago Bernabeu 10, esc. C 9 C  
28036 Madrid  
Phone: +34-91-590-2287  
Fax: +34-91-590-2325  
dallmeierspain@dallmeier.com

### Questions?

Our support and sales teams are available to assist you at any time. They have skilled people available to answer questions about our products.

Via Fax:  
**+49 (0) 941-8700 180**

Via E-Mail:  
**sales@dallmeier.com**

**Dallmeier UK**  
 Dallmeier electronic UK Ltd.  
 Dallmeier House, 3 Beaufort Trade Park  
 Pucklechurch  
 Bristol  
 BS16 9QH

Phone: +44-117-303-93-03  
 Fax: +44-117-303-93-02  
 dallmeieruk@dallmeier.com

**Dallmeier Nordic**  
**ScanView A/S**  
 Karetmagervej 23 B  
 7000 Fredericia

Phone: +45-7624-4040  
 Fax: +45-7624-4041  
 dallmeiernordic@dallmeier.dk

**Headquarters**

**Dallmeier Germany**  
 Dallmeier electronic GmbH & Co.KG  
 Cranachweg 1  
 93051 Regensburg

Phone: +49-941-8700-0  
 Fax: +49-941-8700-180  
 info@dallmeier.com

**Dallmeier Russia**  
 Moskauer Repräsentanz der  
 Dallmeier electronic GmbH & Co.KG

Phone: +49-941-8700-230 oder -255  
 Fax: +49-941-8700-4803 oder -4813  
 dallmeierrussia@dallmeier.com

**Dallmeier Hungary**  
 dallmeierhungary@dallmeier.com

**Dallmeier Switzerland**  
 Divinet GmbH  
 Autorisiertes Dallmeier electronic  
 Branch Office  
 Bösch 73  
 6331 Hünenberg

Phone: +41-41-783-19-79  
 Fax: +41-41-783-19-77  
 info@divinet.ch

**Dallmeier Italy**  
 Dallmeier Italia Srl  
 Via Giglioli Valle 4  
 42100 Reggio Emilia

Phone: +39-522-74-51-23  
 Fax: +39-522-27-60-10  
 info@dallmeier.it

**Dallmeier Middle East**  
 Dallmeier Middle East FZE  
 Dubai Silicon Oasis  
 Office-No. D105  
 P.O. Box: 341115  
 Dubai, VAE

Phone: +971-4-372-44-14  
 Fax: +971-4-372-44-19  
 dallmeierme@dallmeier.com

**Dallmeier Korea**  
 Dallmeier electronic GmbH & Co.KG  
 Korea Office  
 201-1104, ChunUi-technopark,  
 ChunUi-dong, Wonmi-gu, Bucheon-city

Phone: +82-32-623-05356-6  
 Fax: +82-32-623-0537  
 dallmeierkorea@dallmeier.com

**Dallmeier China**  
 Dallmeier International Ltd.

**Hong Kong Office**  
 5C Anson House  
 13-19 Lock Road  
 Tsimshatsui, Kowloon, Hong Kong

Phone: +852-2735-3811  
 Fax: +852-2545-1133  
 dallmeierhongkong@dallmeier.com

**Macau Office**  
 Av. Marciano Baptista, 26  
 6 Floor, Unit F, Edif. Chong Fok  
 Macau

Phone: +853-28728-901  
 Fax: +853-28728-995  
 dallmeierhongkong@dallmeier.com

**Dallmeier Singapore**  
 3791 Jalan Bukit Merah  
 #07-19, 20&01  
 E-Centre at Redhill

Phone: +65-6270-9622  
 Fax: +65-6274-6011  
 dallmeiersg@dallmeier.com

**Dallmeier Southern Africa**  
 Dallmeier electronic GmbH & Co.KG  
 Southern Africa Office  
 PO Box 8185  
 Bonaero Park, 1622

Phone: +27-11-979-4540  
 Fax: +49-941-8700-4242  
 dallmeiersa@dallmeier.com

**Dallmeier Australia**  
 C.R.Kennedy & Co.  
 108 Miller Street  
 NSW 2009 Pyrmont/Sydney

Phone: +61-3-9823-1533  
 Fax: +61-3-9827-7216  
 viccctv@crkennedy.com.au

**Worldwide support**

Thanks to many local offices partners and customers dispose of a personal and competent support in order to satisfy all requirements of video surveillance projects.

With its approved know-how, Dallmeier assists you worldwide in the following fields:

- Support for offers
- Project planning
- Technical workshops and sales trainings
- Telephone support
- Technical support on-site and supporting commissioning
- Visiting reference customers
- Partner Forum



