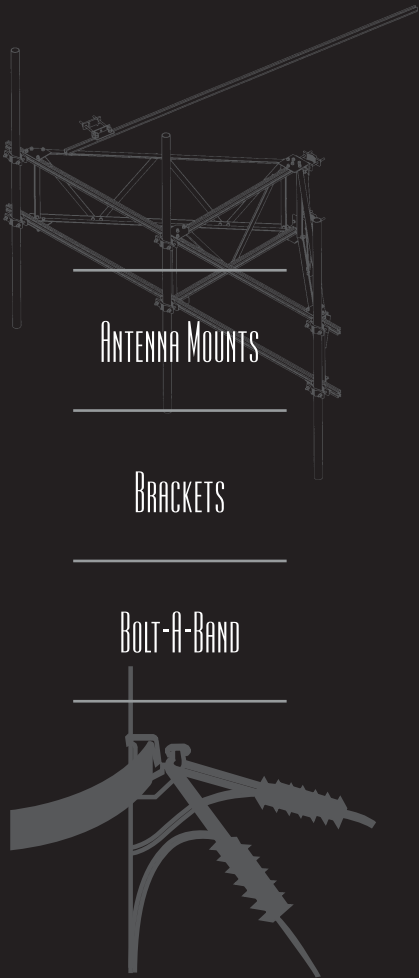


# COMMUNICATIONS PRODUCTS

ALUMA-FORM, INC.



## OUR PLEDGE TO YOU

When you select Aluma-Form, Inc. you will receive the highest quality product, at a competitive price, in the quantity you ordered and will receive that product where and when you need it delivered.

## ENGINEERED PRODUCTS

We are available to provide you with technical assistance and/or to build products for special applications to fill your needs.

## WE STAND READY TO SERVE YOU

Most of the products in this catalog can be manufactured in various configurations. If you don't find the configuration you need, or for pricing on any product listed, please call customer service:

**Aluma-Form, Inc. 901-362-0100**

# Index

## Aluma-Form

<b>Antenna Mounts</b> .....	3-6
Frames & Attachment Hardware .....	3
Stand Off Mounts .....	4
Monopole Flush Mounts .....	5
Mounting Pipes & Attachment Hardware .....	6
Cable Ladder .....	7
<b>Accessories/Hardware</b> .....	8-13
T-Slot Extrusions .....	8
Standoff Brackets .....	9
Bolt-A-Band™ .....	10-13

**Aluma-Form Antenna Mounts** are custom designed and manufactured to user specifications using our unique extruded aluminum. The structural members are fabricated using high strength 6061-T6 aluminum alloy (35,000 PSI yield strength) which provides the structural equivalent of steel with at least 65% less weight. 6061-T6 aluminum is also extremely corrosion resistant. Galvanized steel hardware items comply with ASTM A449-Type 1, ASTM A325-Type 1 or SAE J429 Grade 5 standards.

Our mounting systems may be used on virtually any pole or tower configuration. Adapters are available for mounting almost any antenna rack configuration to tower leg angles, pipes or even large concrete and steel poles using our patented Bolt-A-Band™ product.

**The light weight nature of aluminum** makes it an ideal choice for co-location applications or for reducing weight on overloaded poles and towers.

Many products in this catalog are covered by all or some of the following patents or by patents pending:

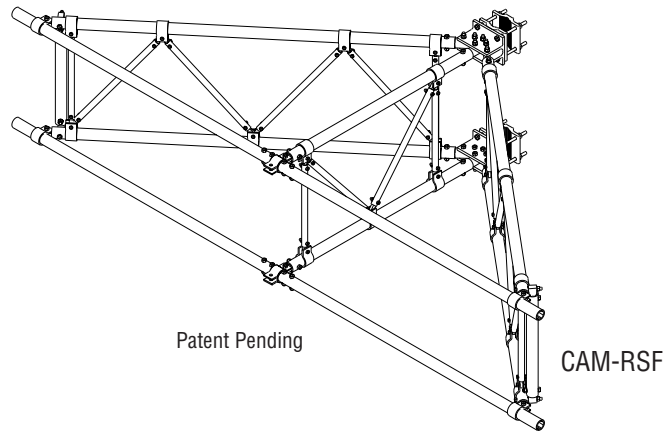
D427,504 5,098,051 6,109,577

# ALUMA-FORM ANTENNA MOUNTS

## RSF Series Antenna Mounts\*

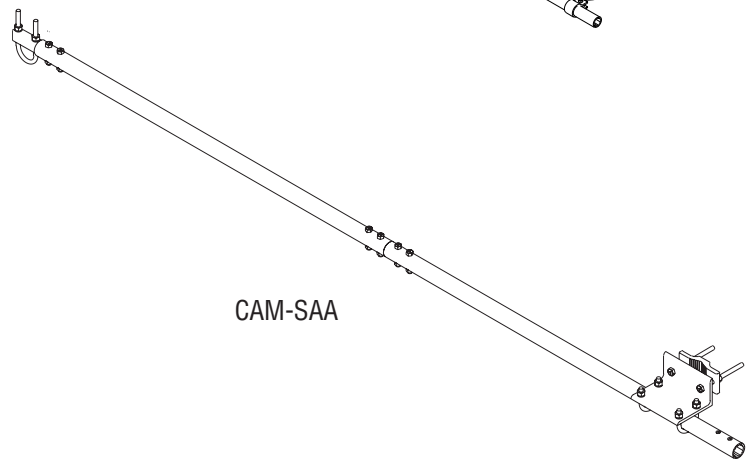
Aluma-Form's RSF Series Antenna mounts can be mounted directly to 4 1/2" round tower legs or smaller. The stand-off frames are available in 10' and 12' sizes. The 10' stand-off mount will support up to three pipe mount kits. The 12' stand-off mounts will support up to four pipe mount kits.

CATALOG NO.	WEIGHT	FACE WIDTH
CAM-RSF-10	156 lbs.	10' face
CAM-RSF-12	161 lbs.	12' face



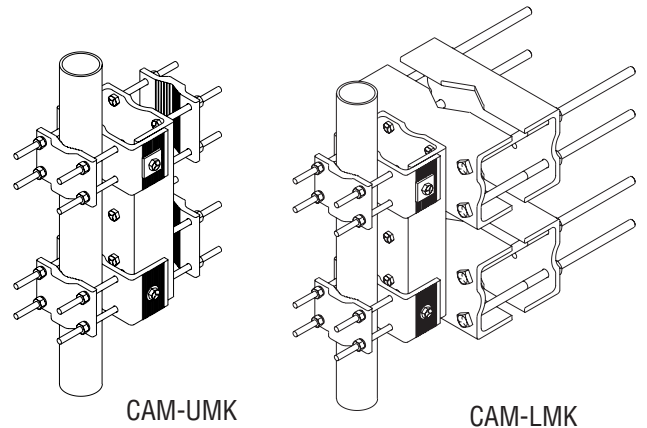
## Stabilizer Arms\*

CATALOG NO.	WEIGHT	WIND LOAD
CAM-SAA	24 lbs.	1 arm=80 mph 2 arms=120 mph 4 arms=140 mph



## Attachment Kits\*

CATALOG NO.	WEIGHT	MOUNTING ACCOMODATION
CAM-UMK	46 lbs.	Will accomodate a 3"x 3" 90° angle; 4"x 4" 60° angle (also up to a 4.5" OD pipe) Slope adjustment of 4.5°
CAM-LMK	106 lbs.	Will accomodate up to a 8"x 8" 90° angle (also up to a 11.5" OD pipe) Slope adjustment of 4.5°



\*Compliant with TIA/EIA-222-G

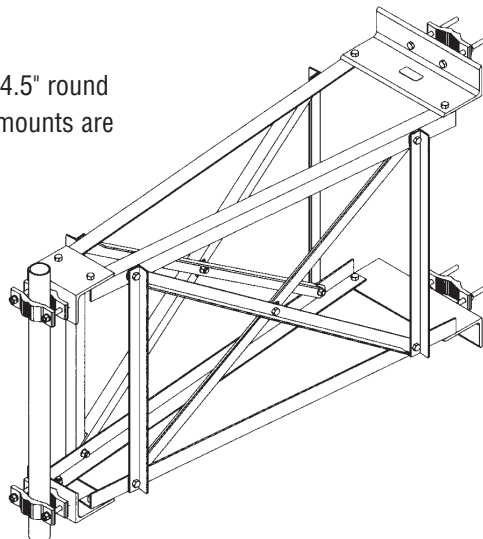
Designed for 1" radial ice. Three wind-loading configurations: 80 mph, 120 mph & 140 mph.

# ANTENNA MOUNTS ALUMA-FORM

## Heavy-Duty Stand-Off Mounts

Aluma-Form's heavy-duty stand-off mount can be mounted directly to 4.5" round (maximum) tower legs or 3" x 3" 90° angle or 4" x 4" 60° angle. These mounts are available in 3' and 5' stand-offs.

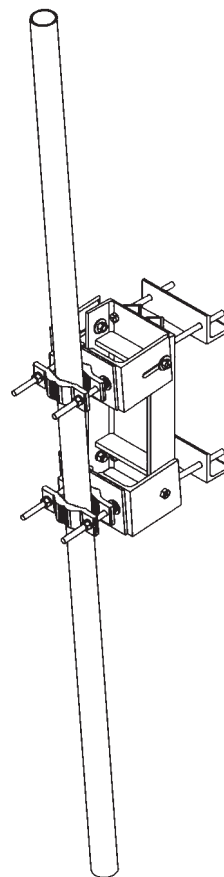
CATALOG NO.	WEIGHT	PIPE LENGTH
CAM-GTS-5	55 LBS.	36"-120"



## Tower Flush Mounts

Aluma-Form's tower flush mount can be mounted to either a guyed tower or self-supporting tower leg. This mount will attach to 5.5" round tower legs or smaller and up to 4" x 4" 90° angle legs.

CATALOG NO.	WEIGHT	PIPE LENGTH
CAM-SSTFM	31 LBS.	36"-120"

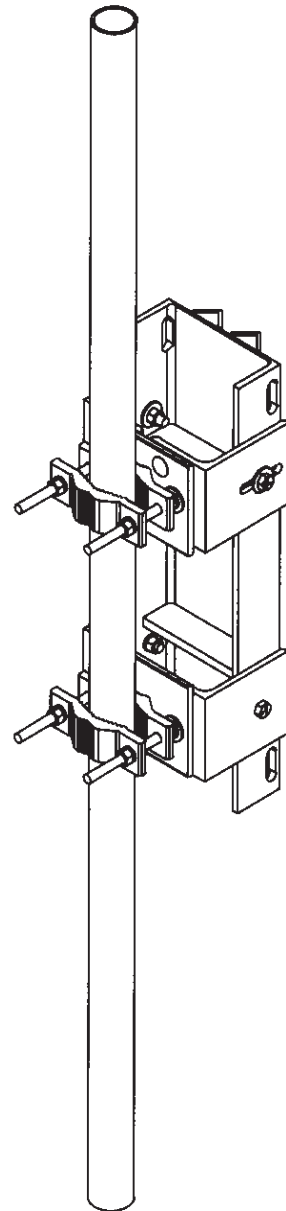


# ALUMA-FORM ANTENNA MOUNTS

## Monopole Flush Mounts

Aluma-Form's monopole flush mounts can be mounted directly to any diameter pole using our patented Bolt-A-Band™ system. These mounts support one antenna mounting pipe. Up to three mounts can be supported using the same Bolt-A-Band™ depending on pole diameter.

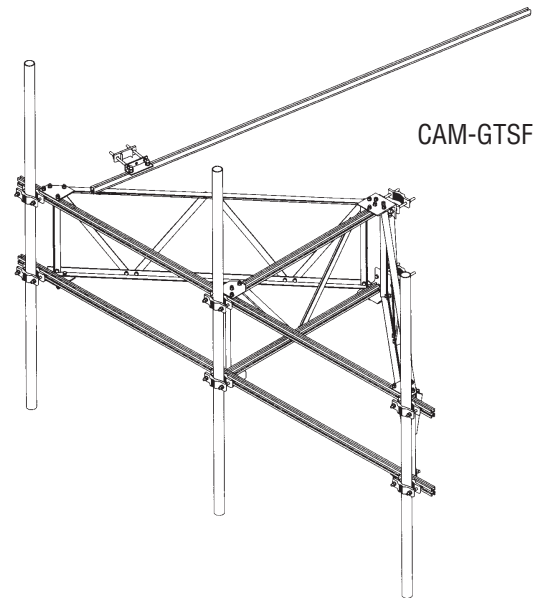
CATALOG NO.	WEIGHT	MOUNTING PIPES	PIPE LENGTH
CAM-MFM	29 LBS.	1	60"-120"



# STAND-OFF FRAME ATTACHMENT HARDWARE ALUMA-FORM

## Guyed Tower Mounts

Aluma-Form's guyed tower stand-off frames can be mounted directly to 4½" round tower legs or smaller or 3" x 3" 90° angle or 4" x 4" 60° angle. The stand-off frames are available in 10' and 12' sizes. The 10' stand-off mount will support up to three pipe mount kits. The 12' stand-off mounts will support up to four pipe mount kits.



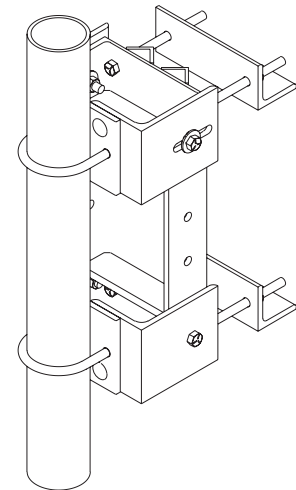
CAM-GTSF

## Self-Supporting Tower Stand-Off Frame

CATALOG NO.	WEIGHT	MOUNTING PIPES	FACE WIDTH
CAM-GTSF-10	104 lbs.	2-3	10'
CAM-GTSF-12	108 lbs.	2-4	12'

## Stand-Off Frame Attachment Hardware

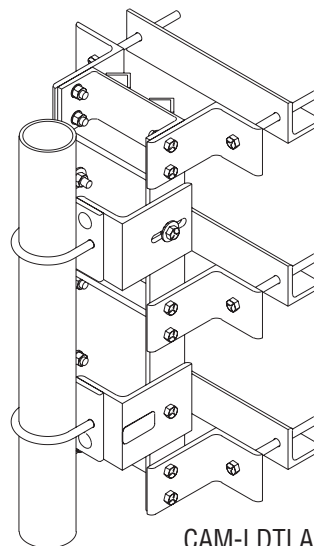
CATALOG NO.	WEIGHT	DESCRIPTION
CAM-SSTSF-AK	33 lbs.	Attaches stand-off frame to 5.5" round or 4" x 4" 90° angle.
CAM-LDTLA-AK	54 lbs.	Attaches stand-off frame to round tower legs up to 7-3/4" outside diameter or angle legs up to 8"x8".
CAM-MSF-AK	26 lbs.	Attaches stand-off frame to monopoles up to 36" in diameter using four Bolt-A-Band assemblies.



CAM-SSTSF

## Antenna Mounting Pipes

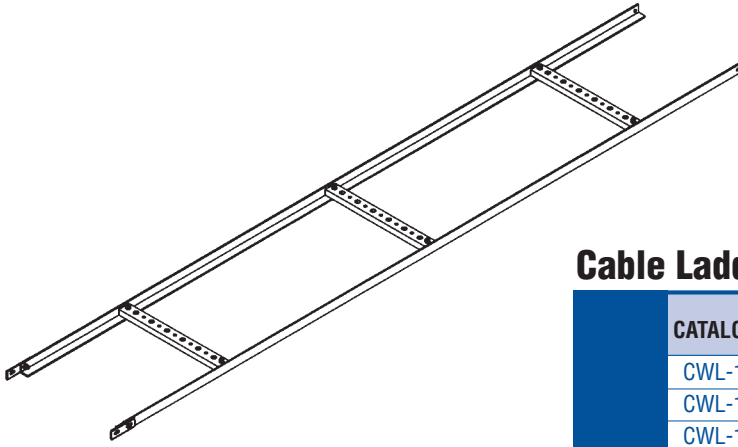
CATALOG NO.	WEIGHT	PIPE LENGTH
CAM-MP-60	6 lbs.	60"
CAM-MP-72	7 lbs.	72"
CAM-MP-84	8 lbs.	84"
CAM-MP-96	10 lbs.	96"
CAM-MP-108	11 lbs.	108"
CAM-MP-120	12 lbs.	120"



CAM-LDTLA

## Pipe Clamps

CATALOG NO.	WEIGHT	DESCRIPTION
CAM-PS-1-2	2 lbs.	For GTSF series mounts
CAM-RMPC	5.7 lbs.	For RSF series mounts



## Cable Ladder

CATALOG NO.	WEIGHT EACH	STD. CARTON
CWL-1020-U	22 lbs.	6
CWL-1030-U	23 lbs.	9
CWL-1040-U	24 lbs.	12

## Cable Ladder

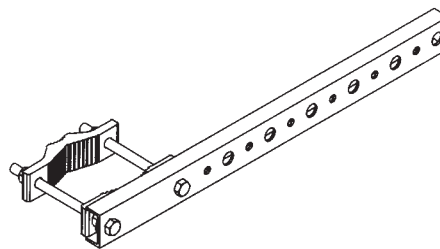
Aluma-Form cable ladders come in 10' lengths. The cable ladders comes in three widths: a 20" wide version that has 6 snap-in hanger holes and a 40" wide version that has 12 snap-in hanger holes. The cable ladder may be purchased with universal mounting hardware for mounting to round or angle members or without hardware.

## Coax Stand-Off Bracket

Aluma-Form's coax stand-off bracket comes equipped to handle either six or 12 runs of coax. It comes equipped with hardware to mount it on up to a 4.5" round tower leg.

## Coax Stand-Off Bracket

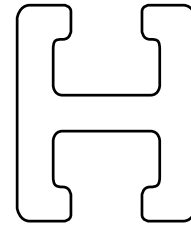
CATALOG NO.	WEIGHT EACH	STD. CARTON
CSO-TL-45R4A	3.6 lbs.	6
CSO-TL-45R4A-D	4.4 lbs.	12



## T-SLOT EXTRUSIONS

CAPTURES 1/2" BOLTS

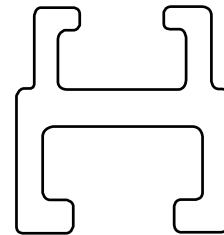
2-way T-Slot (3/8")	CATALOG #	PART #	LENGTH	WEIGHT(LB.)
	2WT-3/8-12	13707	12"	.74
	2WT-3/8-24	13747	24"	1.48
	2WT-3/8-36	13792	36"	2.22
	2WT-3/8-48	13751	48"	2.96
	2WT-3/8-60	13919	60"	3.70



2-WAY T-SLOT 3/8"

CAPTURES 1/2" & 5/8" BOLTS

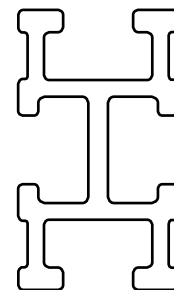
2-way T-Slot (1/2" & 5/8")	CATALOG #	PART #	LENGTH	WEIGHT(LB.)
	2WT-12	01501	12"	1.00
	2WT-24	01502	24"	2.01
	2WT-36	01503	36"	3.02
	2WT-48	01504	48"	4.02
	2WT-60	01505	60"	5.02
	2WT-120	01506	120"	10.05



2-WAY T-SLOT 1/2" & 5/8"

CAPTURES 1/2" BOLTS

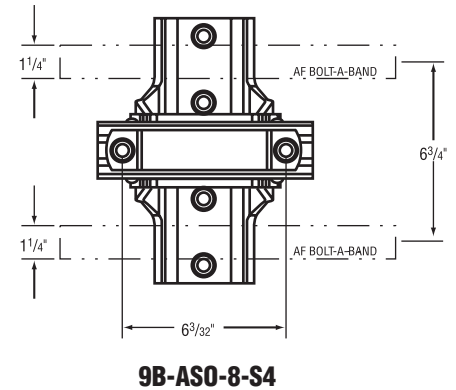
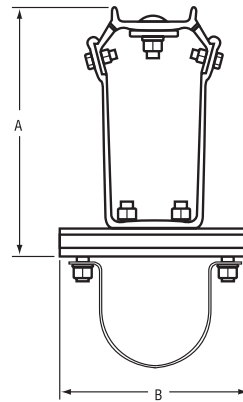
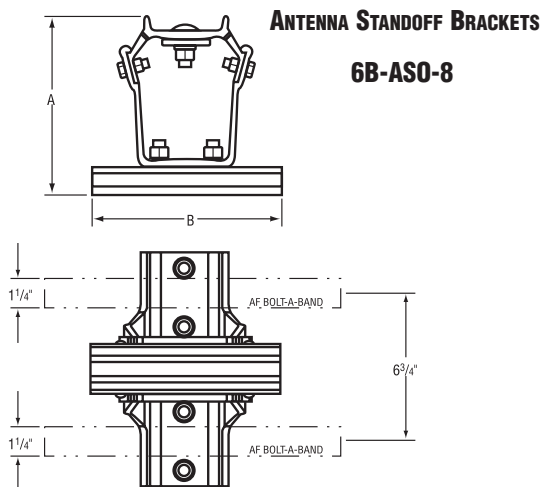
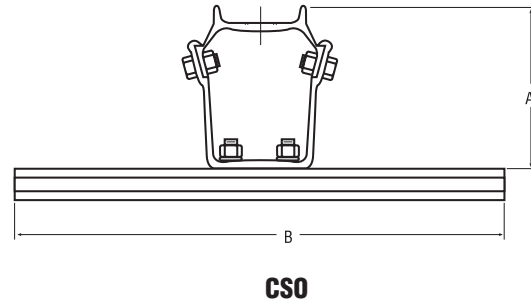
4-way T-Slot (1/2")	CATALOG #	PART #	LENGTH	WEIGHT(LB.)
	4WT-12	13244	12"	1.25
	4WT-24	13249	24"	2.25
	4WT-36	13250	36"	3.25
	4WT-48	13284	48"	4.50
	4WT-60	13315	60"	5.50
	4WT-120	13285	120"	11.00



4-WAY T-SLOT 1/2"

## STANDOFF BRACKETS

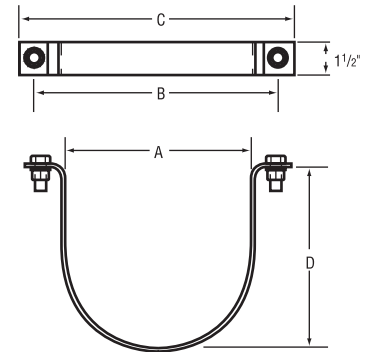
	CATALOG #	PRODUCT #	WEIGHT (LB)	DIMENSION	
				A	B
<b>Multi-purpose</b>	6-CSO-12	51961	4	6"	12"
	6-CSO-24	51962	5	6"	24"
	6-CSO-36	51963	6	6"	36"
	9-CSO-12	51964	4	9"	12"
	9-CSO-24	51965	5	9"	24"
	9-CSO-36	51966	6	9"	36"
<b>Banded</b>	CATALOG #	PRODUCT #	WEIGHT (LB)	DIMENSION	
				A	B
	6B-ASO-8	53543	5	7 1/2"	8"
	9B-ASO-8-S4	53542	6	10 1/2"	8"



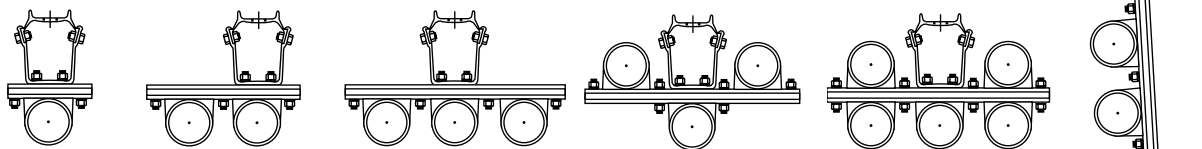
**ANTENNA STANDOFF BRACKETS WITH 4-WAY T-SLOT CAPTURES FOUR 1/2" BOLTS**

## CONDUIT STRAP KITS WITH BOLTS, NUTS & WASHERS

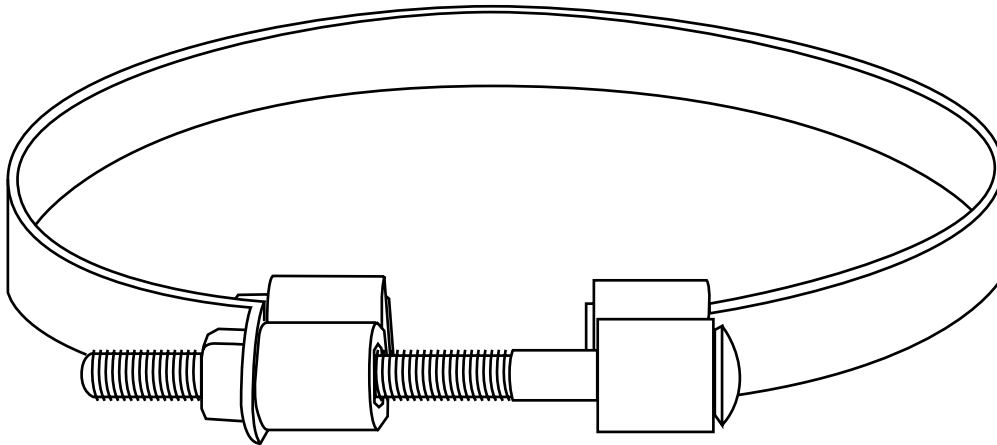
CATALOG #	PART #	NOMINAL CONDUIT SIZE	WEIGHT (LB)	DIMENSION			
				A	B	C	D
STK-2	51967	2 inch	0.5	2 3/8"	3 1/32"	5 3/32"	2 1/4"
STK-2.5	51968	2 1/2 inch	0.6	2 7/8"	4 15/32"	5 19/32"	2 3/4"
STK-3	51969	3 inch	0.6	3 1/2"	5 3/32"	6 7/32"	3 3/8"
STK-3.5	51970	3 1/2 inch	0.6	4"	5 19/32"	6 23/32"	3 7/8"
STK-4	51971	4 inch	0.6	4 1/2"	6 3/32"	7 7/32"	4 3/8"
STK-5	51972	5 inch	0.7	5 9/16"	7 3/32"	8 9/32"	5 7/16"
STK-6	51973	6 inch	0.7	6 5/8"	8 7/32"	9 11/32"	6 1/2"



### TYPICAL CONFIGURATIONS



# BOLT-A-BAND ALUMA-FORM



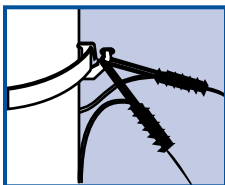
## For Mounting Equipment On Most Steel, Wood Or Concrete Poles

Bolt-A-Band™ lets you mount equipment on round, square or irregular shaped poles without drilling holes. Bolt-A-Band™ features a pre-cut, high quality stainless steel band with accompanying installation hardware. Adjusts easily to fit most any size pole.

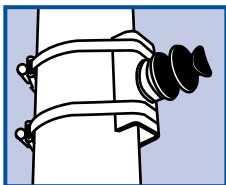
Installs in just minutes with no special tools required.

Use it as shown, for equipment mounting... or create your own applications!

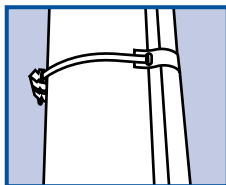
Call Aluma-Form inside sales for more information.



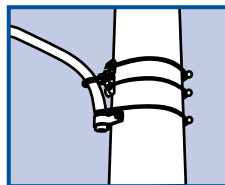
Banded Service Drop



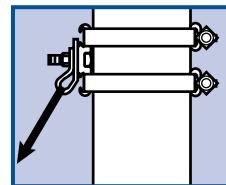
Mounting Post Insulator



Conduit or U-Guard



Lighting Brackets

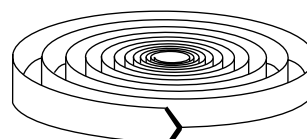
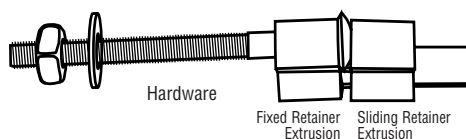


Guy Attachment

## How to Select Proper Size

**Band Width** – Bolt-A-Band™ is available in 3/4" and 1 1/4" band widths and many lengths for mounting a variety of equipment. Generally, use 3/4" band for lighter loads (cabinets, telephone drops, U-Guards, co-axial cable, etc.), and 1 1/4" band for high tension loads.

**Band Length** – Proper length is easily determined by placing equipment to be mounted against pole or structure at mounting position. Measure total length needed around structure, add six (6) inches and round up to next standard length to determine correct length to order. Installation instructions are always included with each Bolt-A-Band™ order.



## STANDARD LENGTH SINGLE BAND

Pre-Cut Extrusions Bands	CATALOG #	WEIGHT/EA.	STD. CARTON	HARDWARE	LENGTH	BAND
	BAB-3836	.75 lb.	24	3/8"	36"	3/4"
	BAB-3840	.80 lb.	24	3/8"	40"	3/4"
	BAB-3848	.85 lb.	24	3/8"	48"	3/4"
	BAB-3860	.90 lb.	24	3/8"	60"	3/4"
	BAB-3872	.98 lb.	24	3/8"	72"	3/4"
	BAB-3884	1.10 lbs.	24	3/8"	84"	3/4"
	BAB-5836	1.80 lbs.	24	5/8"	36"	1 1/4"
	BAB-5840	1.85 lbs.	24	5/8"	40"	1 1/4"
	BAB-5848	1.95 lbs.	24	5/8"	48"	1 1/4"
	BAB-5860	2.10 lbs.	24	5/8"	60"	1 1/4"
	BAB-5872	2.30 lbs.	24	5/8"	72"	1 1/4"
	BAB-5884	2.50 lbs.	24	5/8"	84"	1 1/4"

## SPECIFICATIONS

**Stainless Steel Band** – Type 201 annealed Stainless Steel with minimum tensile of 95,000 P.S.I., and minimum yield of 45,000 P.S.I. Furnished in sizes of .030" thickness x 3/4" width and .044" thickness x 1 1/4" width.

**Aluminum Hardware Extrusions** – 6061-T6 Aluminum Alloy. This alloy conforms to ASTM B 221. A minimum tensile strength 38,000 P.S.I., and minimum yield strength of 35,000 P.S.I.

**Carriage Bolt** – High strength carriage bolt (ASTM A-449), furnished in 3/8" x 6" and 5/8" x 8" sizes.

## 100' LENGTH BANDS

CATALOG #	WEIGHT EACH	STD. CARTON	HARDWARE	LENGTH	BAND
3/4-201-SSB-100	8.00 lbs.	1	3/8"	100'	3/4"
1 1/4-201-SSB-100	19.00 lbs.	1	5/8"	100'	1 1/4"

## BUCKLES FOR 100' BANDS

CATALOG #	WEIGHT EACH	STD. CARTON
BAB 38	.5 lbs.	24
BAB 58	1.25 lbs.	24

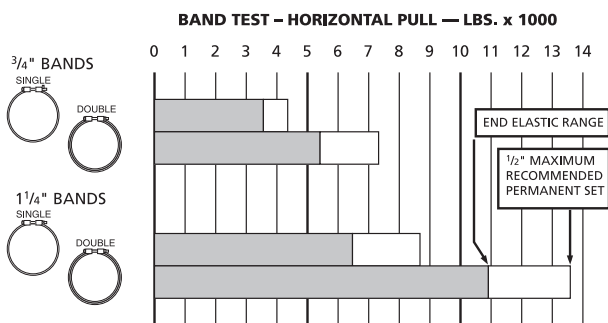
## STANDARD LENGTH DOUBLE BAND

CATALOG #	WEIGHT/EA.	STD. CARTON	HARDWARE	LENGTH	BAND
BAB-5836-2	3.50 lb.	24	5/8"	36"	1 1/4"
BAB-5848-2	4.00 lb.	24	5/8"	48"	1 1/4"
BAB-5888-2	7.50 lb.	24	5/8"	88"	1 1/4"

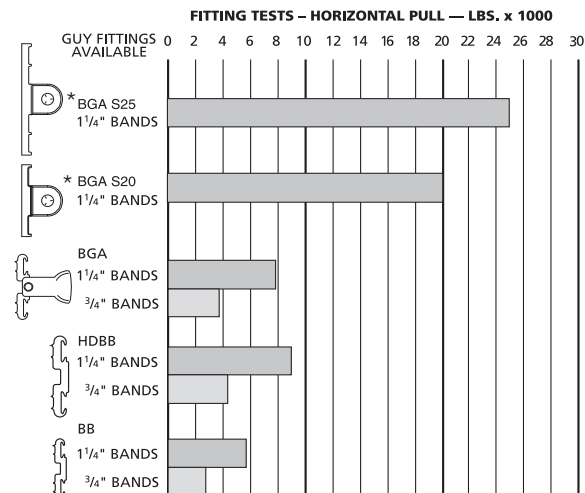
# BANDING STRENGTH TESTS

## MAXIMUM BAND CAPACITY

These tests were conducted with special large steel fittings to illustrate the maximum recommended loadings of the stainless steel bands. Aluminum alloy fittings such as the BGA, HDBB, or BB are generally weaker than these values. For stronger hardware, contact the factory.



## BAND STRENGTH WITH ALUMINUM OR STEEL ALLOY FITTINGS

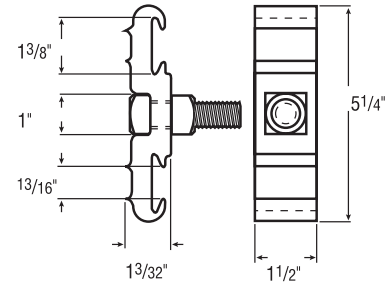


\*Require 1 1/4" Double Bands

# BOLT-A-BAND™ HARDWARE ALUMA-FORM

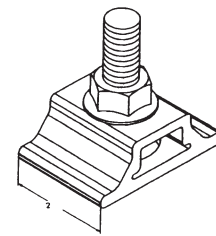
## ALL PURPOSE MTG. BRACKET (LOCATES 3/4" BOLT)

CATALOG #	WEIGHT	STD. CARTON	DESCRIPTION
BB-1511-H	.60 lb.	24	Light Duty Mount with Standard, 5/8"x 2" Bolt.
HDBB-1511-H	.85 lb.	24	Heavy Duty Mount with Standard, 5/8"x 2" Bolt.
HDBB-1511-H3H	1.00 lb.	24	Heavy Duty Mount with Grade 5, 5/8"x 3" Bolt.
HDBB-1511-H3.5H	1.00 lb.	24	Heavy Duty Mount with Standard, 5/8"x 3 1/2" Bolt.
BB-211-SB-2	.586 lb.	24	3/4" Band Light Duty Mount with standard 5/8"x 2" Bolt.



**MOUNTING BRACKET  
(HDBB SERIES SHOWN)**

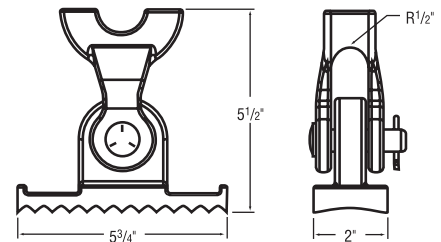
ATTACHES WITH 1 1/4" BAND



**BB-211-SB-2**

## BANDED GUY ATTACHMENT WITH CLEVIS

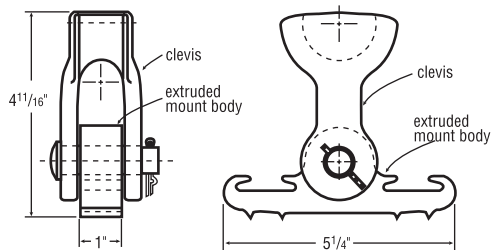
CATALOG #	WEIGHT /EA.	STD. CARTON	DESCRIPTION
BGA-100	1.50 lbs.	24	Regular Duty Banded Guy Attachment with Clevis.
BGA-S20*	2.60 lbs.	24	Heavy Duty Banded Guy Attachment with Clevis.
BGA-S25*	4.26 lbs.	24	Extra Heavy Duty Banded Guy Attachment with Clevis.



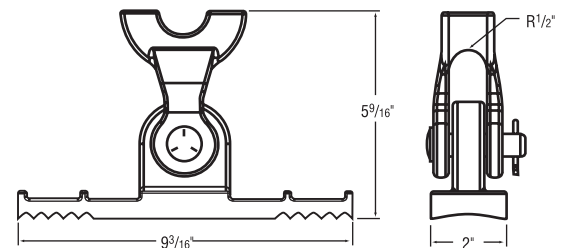
**BGA-S20**

ATTACHES WITH 1 1/4" BAND

\*Double thickness bands must be used for these applications. Refer to page 11 for additional information.



**BGA-100**



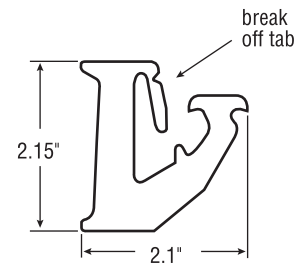
**BGA-S25**

# ALUMA-FORM BOLT-A-BAND HARDWARE

## BANDED SERVICE DROP ATTACHMENT

CATALOG #	WEIGHT /EA.	STD. CARTON	DESCRIPTION
BSD-38	.082 lbs.	50	Banded Service Drop Maximum working load <b>1,000 lbs.</b>

ATTACHES WITH 3/4" OR 1 1/4" BAND

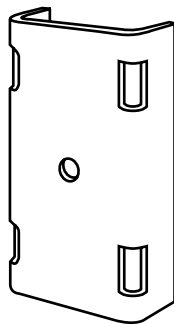


**BANDED SERVICE  
DROP ATTACHMENT**

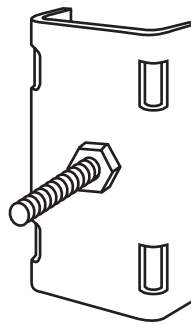
## GENERAL PURPOSE MOUNT

CATALOG #	WEIGHT /EA.	STD. CARTON	DESCRIPTION
D-4080	6.5 lbs.	5	Mounting bracket of 3/4" Galvanized Steel, 10" x 5" formed channel with 2 1/4" legs. 13/16" mounting hole.
D-4080-BS1	7.26 lbs.	5	10" x 5" Mounting bracket with 5/8" bolt
D-4080-BS2	10.56 lbs.	5	14" x 5" Mounting bracket with 2, 5/8" bolts

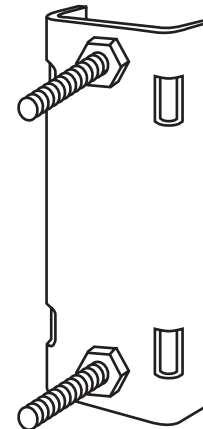
ATTACHES WITH 1 1/4" BAND



**GENERAL PURPOSE MOUNT  
D-4080**



**MOUNT D-4080-BS1**

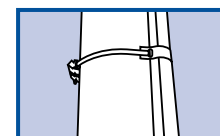
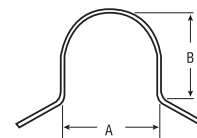


**MOUNT D-4080-BS2**

## CONDUIT AND U-GUARD STRAPS

CATALOG #	WEIGHT /EA.	STD. CARTON	DESCRIPTION		
			FOR	A	B
BST-1	.07 lbs.	24	1"	1 6/19"	1 6/19"
BST-2	.11 lbs.	24	2"	2 3/8"	2 3/8"
BST-3	.15 lbs.	24	3"	3 1/2"	3 1/2"
BST-4	.17 lbs.	24	4"	4 1/2"	4 3/8"
BST-5	.23 lbs.	24	5"	5 9/16"	5 7/16"
BST-6	.27 lbs.	24	6"	6 5/8"	6 1/2"

ATTACHES WITH 3/4" BAND



**CONDUIT AND U-GUARD STRAPS**

ALUMA-FORM, INC.



**Aluma-Form, Inc.**  
3625 Old Getwell Road  
Memphis, TN 38118  
Phone 901-362-0100  
Fax 901-375-3383

**[www.alumaform.com](http://www.alumaform.com)**  
©2006 Aluma-Form, Inc.-1/06/1M